

## **Excellent Integrated System Limited**

Stocking Distributor

Click to view price, real time Inventory, Delivery & Lifecycle Information:

[Bel Fuse Inc.](#)  
[0817-1A1T-11-F](#)

For any questions, you can email us directly:  
[sales@integrated-circuit.com](mailto:sales@integrated-circuit.com)



THE INFORMATION CONTAINED HEREIN IS CONSIDERED "PROPRIETARY" TO BEL FUSE INC. AND SHALL NOT BE COPIED, REPRODUCED OR DISCLOSED WITHOUT THE WRITTEN APPROVAL OF BEL FUSE INC.

| LED1 POLARITY |        |        | LED2 POLARITY |        |       |
|---------------|--------|--------|---------------|--------|-------|
| PIN 11        | PIN 12 | COLOR  | PIN 9         | PIN 10 | COLOR |
| -             | +      | YELLOW | -             | +      | GREEN |

**ELECTRICAL CHARACTERISTICS @ 25°C**

**URNS RATIO**

|                            |                       |
|----------------------------|-----------------------|
| TX                         | 1CT : 1               |
| RX                         | 1CT : 1               |
| OCL @ 100kHz/100mVRMS      | 350µH MIN             |
| 8mA DC BIAS                | 350µH MIN             |
| INS. LOSS                  | -11 dB MAX            |
| 1MHz TO 100MHz             | -11 dB MAX            |
| RET. LOSS (MIN)            | -18 dB                |
| 1MHz-30MHz                 | -18 dB                |
| 30MHz-60MHz                | -18+20LOG(F/30MHz) dB |
| 60MHz-80MHz                | -12 dB                |
| CROSS TALK (TX - RX)       |                       |
| 500kHz - 100 MHz           | -30 dB MIN            |
| CM TO CM REJ               |                       |
| 100kHz - 100 MHz           | -30 dB MIN            |
| CM TO DM REJ               |                       |
| 100kHz - 100 MHz           | -40 dB MIN            |
| HIPDT (Isolation Voltage): | 1500 Vrms             |

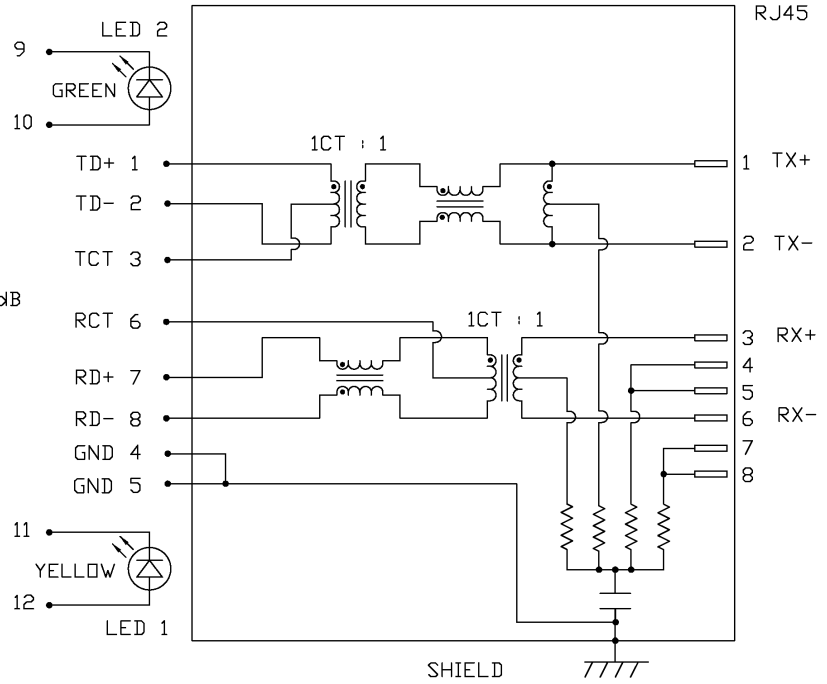
**LED 1**

|                          |         |        |            |
|--------------------------|---------|--------|------------|
| VF (FORWARD VOLTAGE)     | IF=20mA | YELLOW | 2.1V TYP.  |
| λD (DOMINANT WAVELENGTH) | IF=20mA | YELLOW | 590nm TYP. |

**LED 2**

|                          |         |       |            |
|--------------------------|---------|-------|------------|
| VF (FORWARD VOLTAGE)     | IF=20mA | GREEN | 2.2V TYP.  |
| λD (DOMINANT WAVELENGTH) | IF=20mA | GREEN | 565nm TYP. |

**SCHEMATIC**



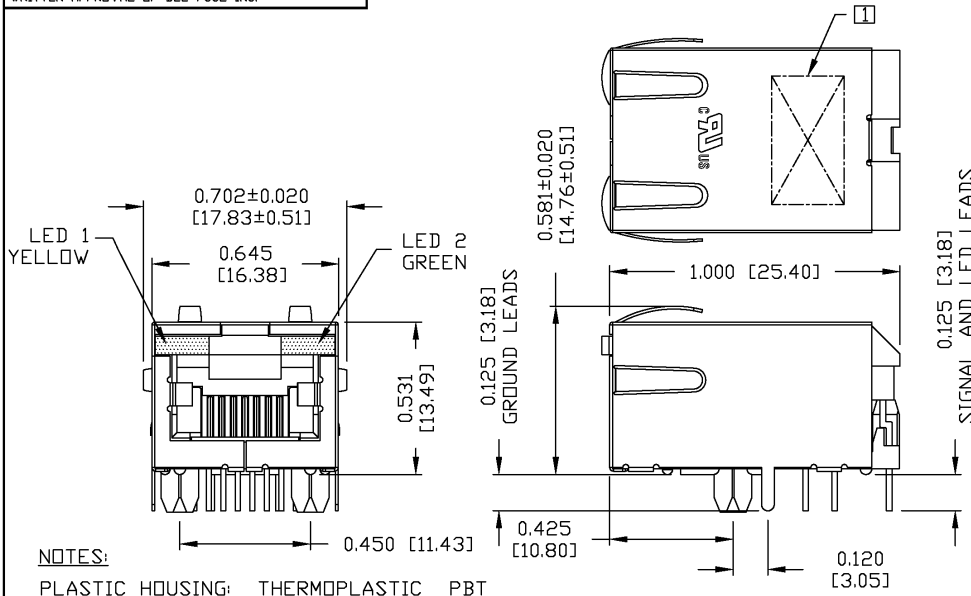
| ORIGINATED BY | DATE     | TITLE                               | PART NO. / DRAWING NO. | STANDARD DIM. TOL. IN INCH | [ ] METRIC DIM. AS REFERENCE    | REV.     |
|---------------|----------|-------------------------------------|------------------------|----------------------------|---------------------------------|----------|
| CHUNG         | 04-23-05 | staggered pin MagJack®<br>(5 cores) | 08171A1T11-F           | .X<br>.XX<br>.XXX          | UNIT : INCH [mm]<br>SCALE : N/A | A        |
| DRAWN BY      | DATE     | 0817-1A1T-11-F                      | FILE NAME              | 08171A1T11-FA.DWG          | SIZE : A4                       | PAGE : 2 |
| DE            | 04-23-05 |                                     |                        |                            |                                 |          |



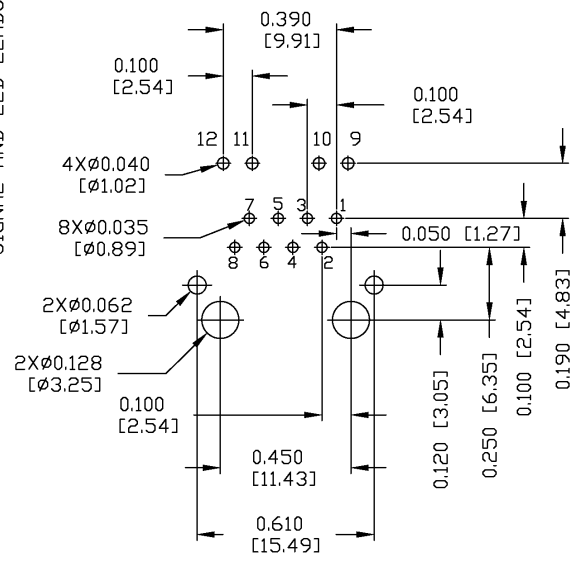


THE INFORMATION CONTAINED HEREIN IS CONSIDERED "PROPRIETARY" TO BEL FUSE INC. AND SHALL NOT BE COPIED, REPRODUCED OR DISCLOSED WITHOUT THE WRITTEN APPROVAL OF BEL FUSE INC.

MECHANICAL SPECIFICATION



RECOMMENDED PCB FOOTPRINT



- NOTES:
- 1. MARK PART WITH MFG LOGO, MFG NAME, PART NUMBER, AND DATE CODE.
- PLASTIC HOUSING: THERMOPLASTIC PBT  
 FLAMMABILITY RATING UL 94V-0  
 CONTACT PLATING: 50 MICRO-INCH HARD GOLD PLATING  
 PINS: TIN-COATED COPPER WIRE, DIA 0.018 INCH.  
 METAL SHIELD: NICKEL OR TIN PLATED ON COPPER ALLOY.  
 (ALL NICKEL PLATED GROUND LEADS ARE SOLDER DIPPED)

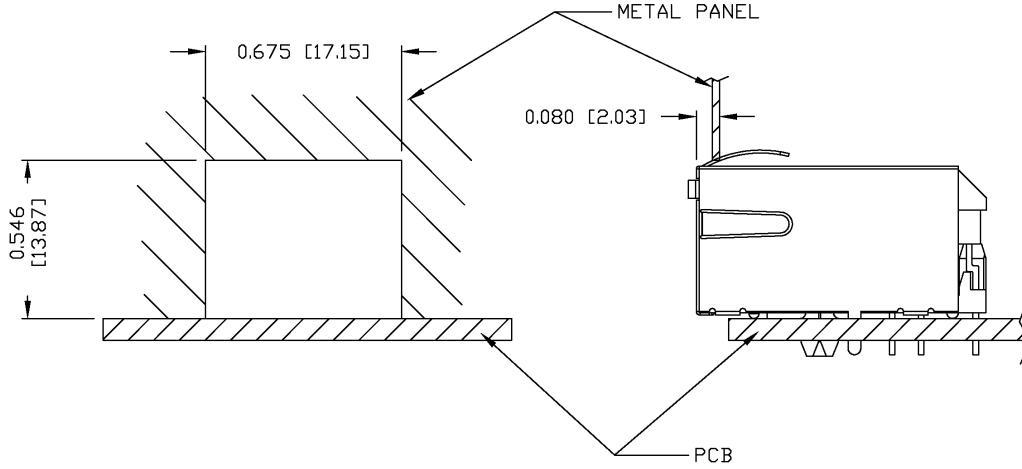
UL US UL RECOGNIZED - FILE #E196366 AND E169987.  
 ROHS COMPLIANCE, PER EU DIRECTIVE 2002/95/EC

|               |          |                                     |                        |                            |                              |
|---------------|----------|-------------------------------------|------------------------|----------------------------|------------------------------|
| ORIGINATED BY | DATE     | TITLE                               | PART NO. / DRAWING NO. | STANDARD DIM. TOL. IN INCH | [ ] METRIC DIM. AS REFERENCE |
| BILL          | 04-23-05 | staggered pin MagJack®<br>(5 cores) | 08171A1T11-F           | .X                         | UNIT : INCH [mm] REV. : A    |
| DRAWN BY      | DATE     | 0817-1A1T-11-F                      | FILE NAME              | .XX                        | SCALE : N/A SIZE : A4        |
| LING          | 04-23-05 |                                     | 08171A1T11-FA.DWG      | .XXX ±0.010                | PAGE : 3                     |



THE INFORMATION CONTAINED HEREIN IS CONSIDERED "PROPRIETARY" TO BEL FUSE INC. AND SHALL NOT BE COPIED, REPRODUCED OR DISCLOSED WITHOUT THE WRITTEN APPROVAL OF BEL FUSE INC.

SUGGESTED PANEL OPENING



NOTE :

THE DISTANCE OF PANEL INSIDE SURFACE RELATIVE TO FRONT SURFACE OF PART IS ONLY A SUGGESTION. IN CASE THIS DISTANCE IS DIFFERENT, THE REQUIRED PANEL OPENING DIMENSIONS CHANGE ACCORDINGLY.

PACKING INFORMATION

PACKING TRAY : 0200-9999-A2

PACKING QUANTITY : 60 PCS FINISHED GOODS PER TRAY

11 TRAYS (660 PCS FINISHED GOODS) PER CARTON BOX

NOTE : CARDBOARDS ARE PLACED BETWEEN LAYERS OF PACKING TRAY INSIDE CARTON BOX (INCLUDE THE UPPERMOST AND LOWERMOST TRAY)

|               |          |   |                        |                            |                              |                                      |           |
|---------------|----------|---|------------------------|----------------------------|------------------------------|--------------------------------------|-----------|
| ORIGINATED BY | DATE     | TITLE   | PART NO. / DRAWING NO. | STANDARD DIM. TOL. IN INCH | [ ] METRIC DIM. AS REFERENCE | <br>COMPONENTS OF A CONNECTED PLANET |           |
| BILL          | 04-23-05 | staggered pin MagJack®<br>(5 cores)<br>0817-1A1T-11-F | 08171A1T11-F           | .X                         | UNIT : INCH [mm]             |                                      | REV. : A  |
| DRAWN BY      | DATE     |   | FILE NAME              | .XX                        | SCALE : N/A                  |                                      | SIZE : A4 |
| LING          | 04-23-05 | 08171A1T11-FA.DWG                                     | .XXX                   | ±0.005                     |                              |                                      | PAGE : 4  |

DC002(2)122004

This document is electronically generated. This is a controlled copy if used internally