

## **Excellent Integrated System Limited**

Stocking Distributor

Click to view price, real time Inventory, Delivery & Lifecycle Information:

[Bel Fuse Inc.](#)  
[0843-2B1T-33-F](#)

For any questions, you can email us directly:  
[sales@integrated-circuit.com](mailto:sales@integrated-circuit.com)

THE INFORMATION CONTAINED HEREIN IS CONSIDERED "PROPRIETARY" TO BEL FUSE INC. AND SHALL NOT BE COPIED, REPRODUCED OR DISCLOSED WITHOUT THE WRITTEN APPROVAL OF BEL FUSE INC.

LED POLARITY			
PIN 12	PIN 11	PIN 10	COLOR
-	+	-	GREEN
-	+	-	ORANGE

**ELECTRICAL CHARACTERISTICS @ 25°C**

URNS RATIO	
TP1	1CT : 1CT ±2%
TP2	1CT : 1CT ±2%
TP3	1CT : 1CT ±2%
TP4	1CT : 1CT ±2%

DCL @ 100kHz/100mVRMS	
8mA DC BIAS	350µ H MIN.

INS. LOSS	
0.1MHz TO 1MHz	-1.1 dB MAX
1MHz TO 65MHz	-0.5 dB MAX
65MHz TO 100MHz	-0.8 dB MAX
100MHz TO 125MHz	-1.2 dB MAX

RET. LOSS (MIN)	
0.5MHz-40MHz	-18 dB
40MHz-100MHz	-12+20LOG(f/80MHz) dB

CM TO CM REJ	
100kHz - 100MHz	-30 dB MIN

CM TO DM REJ	
100kHz - 100MHz	-35 dB MIN

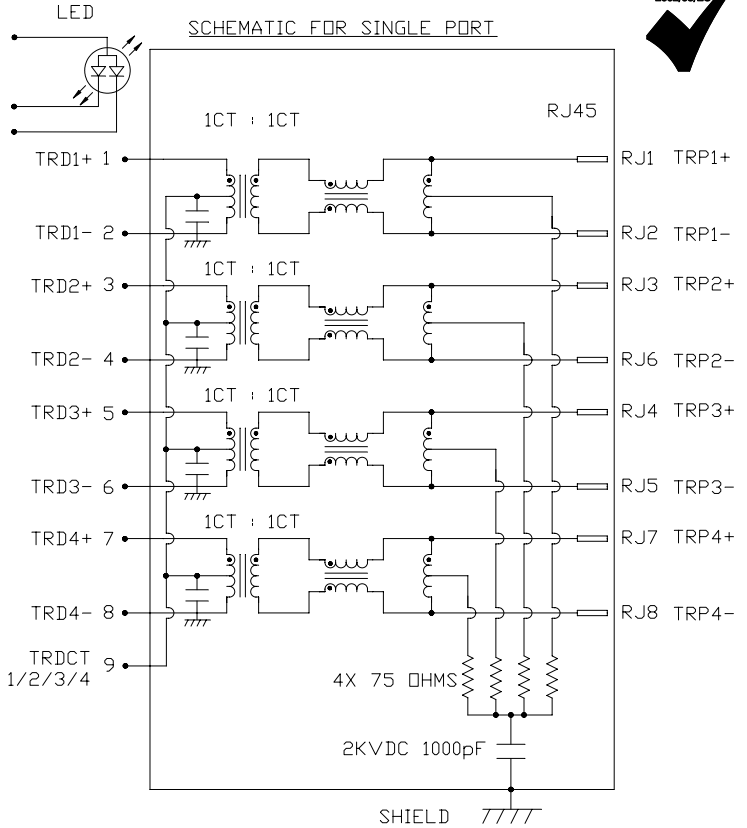
HIPOT (Isolation Voltage): 1500 Vrms  
 100% OF PRODUCTION TESTED TO COMPLY WITH IEEE 802.3 ISOLATION REQUIREMENT

LED	VF (FORWARD VOLTAGE)	IF=20mA	GREEN	2.2V TYP.
			ORANGE	2.1V TYP.
			GREEN	570nm TYP.
			ORANGE	607nm TYP.

**NOTES:**

SCHEMATIC & ELECTRICAL CHARACTERISTICS ARE IDENTICAL FOR PORT 1 & PORT 2.

GREEN 12  
 ORANGE 10



ORIGINATED BY	DATE
CHOW WANGCHUNG	08-07-10
DRAWN BY	DATE
LEE WEIDE	08-07-10

TITLE	
2X1 gigabit MagJack® (with LED)	
0843-2B1T-33-F PATENTED	

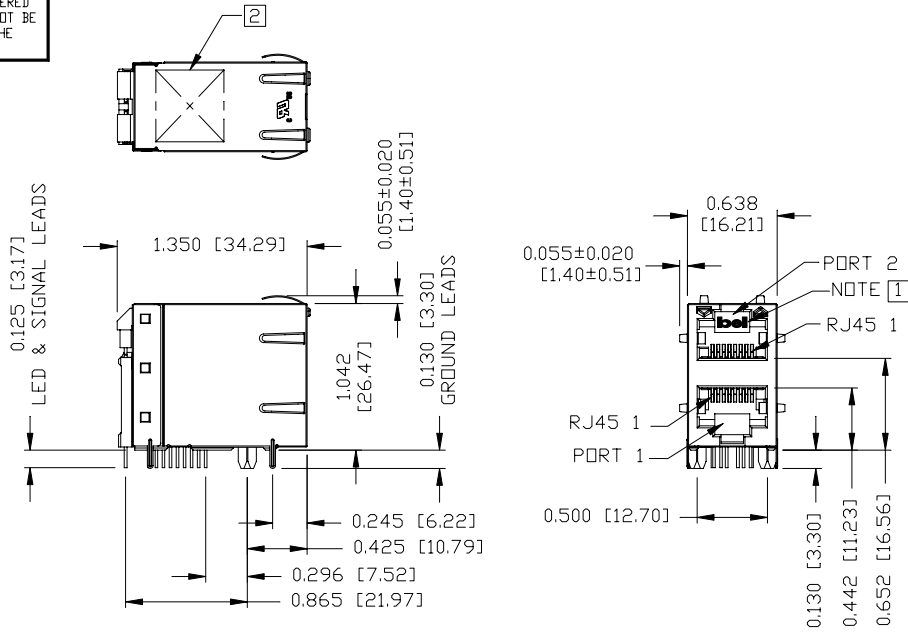
PART NO. / DRAWING NO.	STANDARD DIM. TOL. IN INCH
08432B1T33-F	.X .XX .XXX
FILE NAME	
08432B1T33-F_B.DWG	

[ ] METRIC DIM. AS REFERENCE	REV. : B
UNIT : INCH [mm]	SIZE : A4
SCALE : N/A	PAGE : 2





THE INFORMATION CONTAINED HEREIN IS CONSIDERED "PROPRIETARY" TO BEL FUSE INC. AND SHALL NOT BE COPIED, REPRODUCED OR DISCLOSED WITHOUT THE WRITTEN APPROVAL OF BEL FUSE INC.



**NOTES:**

- PLASTIC HOUSING: THERMOPLASTIC PBT  
FLAMMABILITY RATING UL 94V-0
- CONTACT PLATING: 50 MICRO-INCH HARD GOLD PLATING
- OUTPUT PINS: TIN-COATED COPPER WIRE, DIA 0.018 INCH.
- METAL SHIELD: NICKEL OR TIN PLATED COPPER ALLOY.  
(ALL NICKEL PLATED GROUND LEADS ARE SOLDER DIPPED)

[1] JACK CAVITY CONFORMS TO FCC RULES AND REGULATIONS,  
PART 68 SUBPART F.

**UL** UL RECOGNIZED - FILE #E196366 AND E169987.

- [2] MARK PART WITH MFG LOGO, MFG NAME, PART NUMBER, DATE CODE AND PATENTED.
- 3. RoHS COMPLIANCE, PER EU DIRECTIVE 2002/95/EC.
- 4. THE PRODUCT IS PATENTED, THE PATENT NUMBER ARE U.S. PAT. 5,736,910 AND U.S. PAT. 6,840,817.

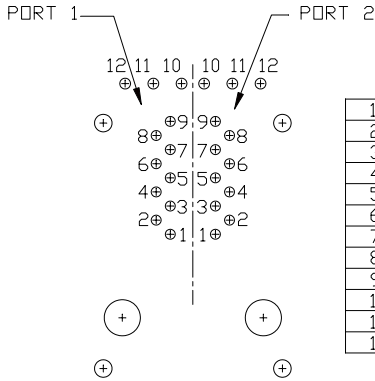
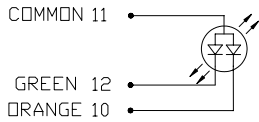
<b>ORIGINATED BY</b> CHEN BILL	<b>DATE</b> 08-07-10	<b>TITLE</b> 2X1 gigabit MagJack® (with LED) 0843-2B1T-33-F PATENTED	<b>PART NO. / DRAWING NO.</b> 08432B1T33-F	<b>STANDARD DIM. TOL. IN INCH</b>	<b>[ ] METRIC DIM. AS REFERENCE</b>	<b>REV. : B</b>
<b>DRAWN BY</b> XIAN JIAXIN	<b>DATE</b> 08-07-10		<b>FILE NAME</b> 08432B1T33-F_B.DWG	.X XX XXX ±0.010	UNIT : INCH [mm] SCALE : N/A ⊕	<b>SIZE : A4</b> <b>PAGE : 3</b>





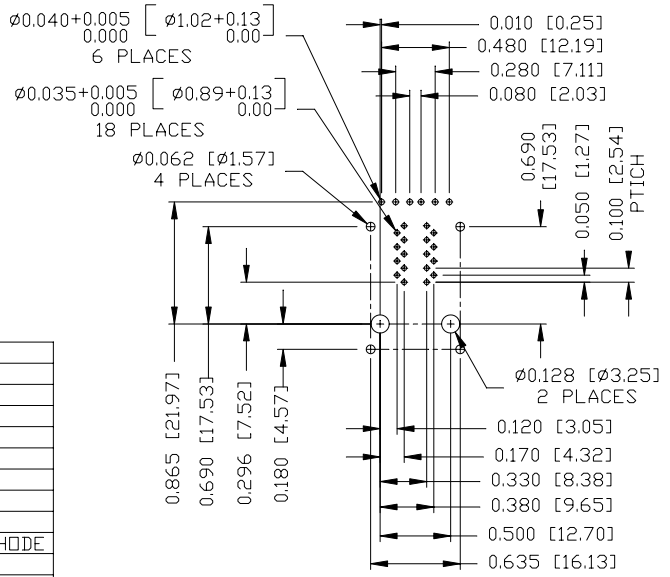
THE INFORMATION CONTAINED HEREIN IS CONSIDERED "PROPRIETARY" TO BEL FUSE INC. AND SHALL NOT BE COPIED, REPRODUCED OR DISCLOSED WITHOUT THE WRITTEN APPROVAL OF BEL FUSE INC.

LED CONFIGURATION



1	TRD 1+
2	TRD 1-
3	TRD 2+
4	TRD 2-
5	TRD 3+
6	TRD 3-
7	TRD 4+
8	TRD 4-
9	TRCT 1/2/3/4
10	ORANGE LED CATHODE
11	COMMON ANODE
12	GREEN LED CATHODE

PIN-OUT INFORMATION  
(COMPONENT SIDE VIEW)



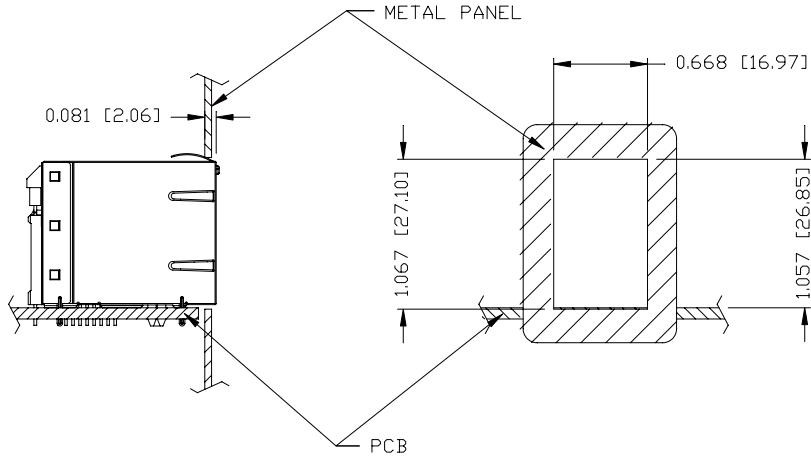
SUGGESTED FOOTPRINT  
(COMPONENT SIDE VIEW)

<b>ORIGINATED BY</b> CHEN BILL	<b>DATE</b> 08-07-10	<b>TITLE</b> 2X1 gigabit MagJack® (with LED) 0843-2B1T-33-F PATENTED	<b>PART NO. / DRAWING NO.</b> 08432B1T33-F	<b>STANDARD DIM. TOL. IN INCH</b>	<input type="checkbox"/> METRIC DIM. AS REFERENCE
<b>DRAWN BY</b> XIAN JIAXIN	<b>DATE</b> 08-07-10		<b>FILE NAME</b> 08432B1T33-F_B.DWG	.X .XX .XXX ±0.004	UNIT : INCH [mm] SCALE : N/A





SUGGESTED PANEL OPENING



NOTE:

THE DISTANCE OF PANEL INSIDE SURFACE RELATIVE TO FRONT SURFACE OF PART IS ONLY A SUGGESTION. IN CASE THIS DISTANCE IS DIFFERENT, THE REQUIRED PANEL OPENING DIMENSIONS CHANGE ACCORDINGLY.

PACKING INFORMATION

PACKING TRAY: 0200-0148-36 (TOP)  
0200-0148-34 (BOTTOM)

PACKING QUANTITY: 40 PCS FINISHED GOODS PER TRAY  
6 TRAYS (240 PCS FINISHED GOODS) PER CARTON BOX.

NOTE: CARDBOARD ARE PLACED BETWEEN LAYERS OF PACKING TRAY INSIDE CARTON BOX.

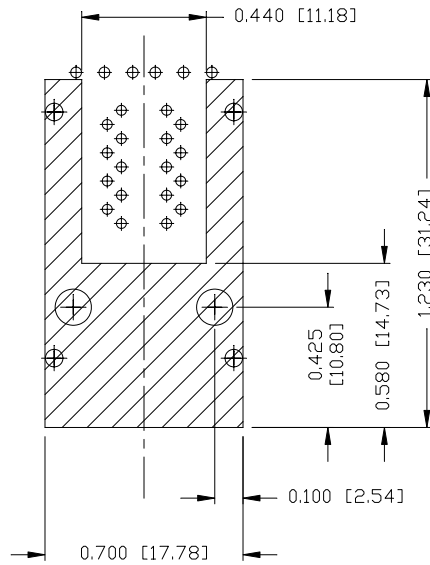
(INCLUDE THE UPPERMOST AND LOWEREST TRAY)

<b>ORIGINATED BY</b> CHEN BILL	<b>DATE</b> 08-07-10	<b>TITLE</b> 2X1 gigabit MagJack® (with LED) 0843-2B1T-33-F PATENTED	<b>PART NO. / DRAWING NO.</b> 08432B1T33-F	<b>STANDARD DIM. TOL. IN INCH</b>	<input type="checkbox"/> METRIC DIM. AS REFERENCE
<b>DRAWN BY</b> XIAN JIAXIN	<b>DATE</b> 08-07-10		<b>FILE NAME</b> 08432B1T33-F_B.DWG	.X .XX .XXX ±0.004	<input type="checkbox"/> UNIT : INCH [mm] SCALE : N/A





THE INFORMATION CONTAINED HEREIN IS CONSIDERED "PROPRIETARY" TO BEL FUSE INC. AND SHALL NOT BE COPIED, REPRODUCED OR DISCLOSED WITHOUT THE WRITTEN APPROVAL OF BEL FUSE INC.



NOTES:

THE SHADED AREA ON THE CUSTOMER BOARD ARE RECOMMENDED TO BE CLEAR OFF ANY VIA HOLE OR COMPONENT PAD.

ORIGINATED BY CHEN BILL	DATE 08-07-10	TITLE 2X1 gigabit MagJack® (with LED) 0843-2B1T-33-F PATENTED	PART NO. / DRAWING NO. 08432B1T33-F	STANDARD DIM. TOL. IN INCH	[ ] METRIC DIM. AS REFERENCE
DRAWN BY XIAN JIAXIN	DATE 08-07-10		FILE NAME 08432B1T33-F_B.DWG	.X .XX .XXX ±0.004	UNIT : INCH [mm] SCALE : N/A



DC002(2)051509

This document is electronically generated. This is a controlled copy if used internally