

## Excellent Integrated System Limited

Stocking Distributor

Click to view price, real time Inventory, Delivery & Lifecycle Information:

[Bel Fuse Inc.](#)  
[L826-1X1T-23-F](#)

For any questions, you can email us directly:  
[sales@integrated-circuit.com](mailto:sales@integrated-circuit.com)



RJ45

THE INFORMATION CONTAINED HEREIN IS CONSIDERED "PROPRIETARY" TO BEL FUSE INC. AND SHALL NOT BE COPIED, REPRODUCED OR DISCLOSED WITHOUT THE WRITTEN APPROVAL OF BEL FUSE INC.

LED1 POLARITY			LED2 POLARITY		
PIN 13	PIN 14	COLOR	PIN 15	PIN 16	COLOR
-	+	YELLOW	-	+	GREEN
			+	-	ORANGE

ELECTRICAL CHARACTERISTICS @ 25°C

URNS RATIO

TP1	1CT : 1CT ±2%
TP2	1CT : 1CT ±2%
TP3	1CT : 1CT ±2%
TP4	1CT : 1CT ±2%

OCL @ 100kHz/100mVRMS

8mA DC BIAS 350µH MIN.

INS. LOSS

0.1MHz TO 1MHz	-1.1 dB MAX
1MHz TO 65MHz	-0.5 dB MAX
65MHz TO 100MHz	-0.8 dB MAX
100MHz TO 125MHz	-1.2 dB MAX

RET. LOSS (MIN)

0.5MHz-40MHz	-18 dB
40MHz-100MHz	-12+20LOG(f/80MHz) dB

Cross Talk

Ch1-Ch2, Ch2-Ch3, Ch3-Ch4	
Ch4-Ch1, Ch2-Ch4, Ch3-Ch1	
1MHz - 30MHz	-37dB MIN
30MHz - 80MHz	-29dB MIN
80MHz - 100MHz	-28dB MIN

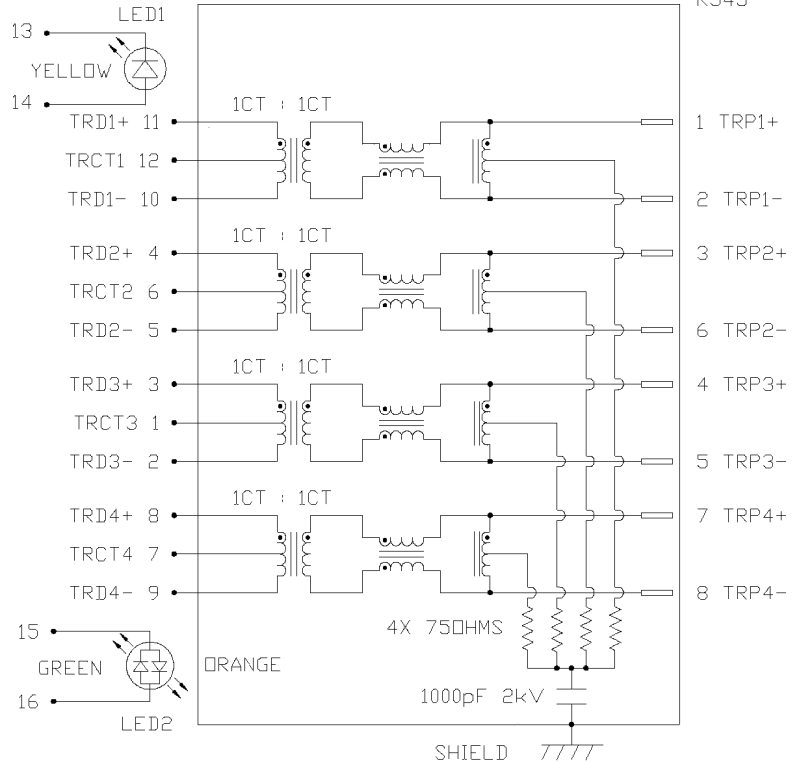
CM TO DM REJ

100kHz - 100MHz -35 dB MIN

HIPDT (Isolation Voltage): 1500 Vrms or 2250VDC

LED 1	IF=20mA	YELLOW	2.1V TYP.
λD (DOMINANT WAVELENGTH)	IF=20mA	YELLOW	590nm TYP.
LED 2	IF=20mA	GREEN	2.2V TYP.
		ORANGE	2.0V TYP.
λD (DOMINANT WAVELENGTH)	IF=20mA	GREEN	565nm TYP.
		ORANGE	610nm TYP.

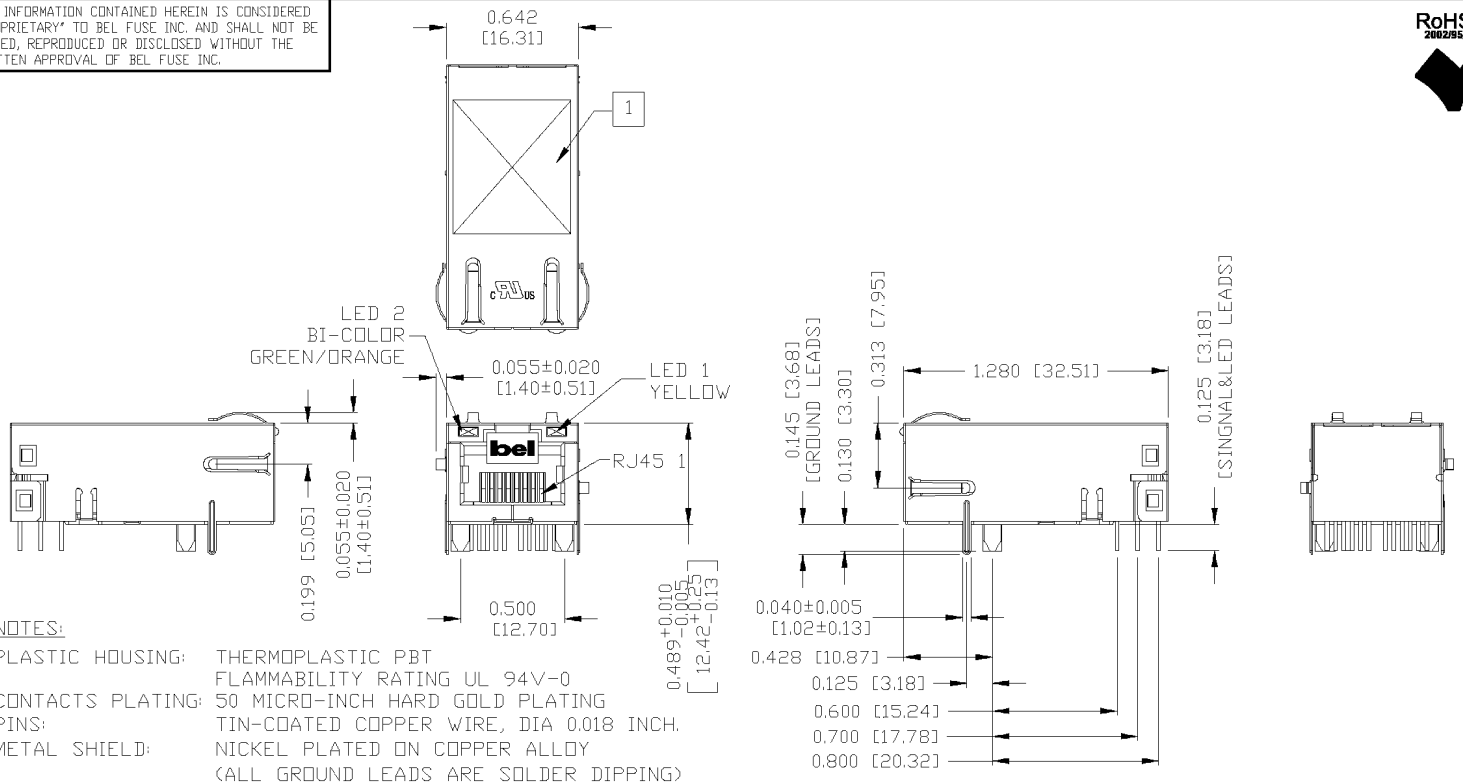
SCHEMATIC



ORIGINATED BY	DATE	TITLE	PART NO. / DRAWING NO.	STANDARD DIM. TOL. IN INCH	[ ] METRIC DIM. AS REFERENCE
CHUNG	01-05-07	gigabit MagJack®	L8261X1T23-F	.X .XX .XXX	UNIT : INCH [mm] REV. : B SCALE : N/A SIZE : A4 PAGE : 2
DRAWN BY	DATE	(Low Profile, 12 cores)	FILE NAME		
DE	01-05-07	L826-1X1T-23-F	L8261X1T23-FB.DWG		



THE INFORMATION CONTAINED HEREIN IS CONSIDERED "PROPRIETARY" TO BEL FUSE INC. AND SHALL NOT BE COPIED, REPRODUCED OR DISCLOSED WITHOUT THE WRITTEN APPROVAL OF BEL FUSE INC.



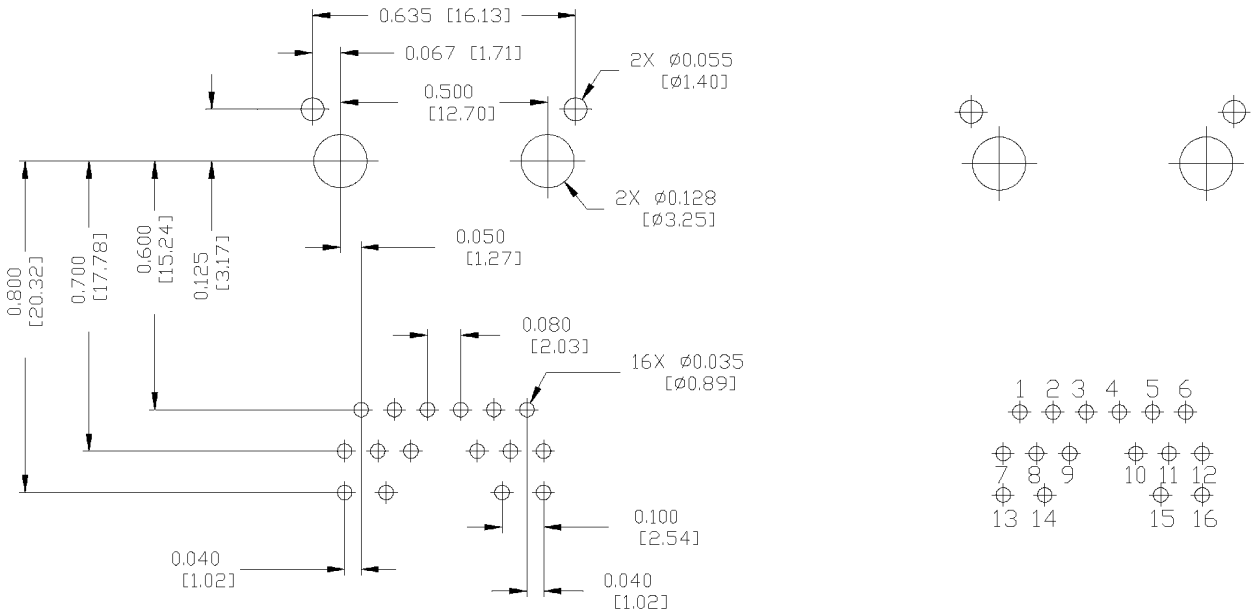
**NOTES:**  
 PLASTIC HOUSING: THERMOPLASTIC PBT  
 FLAMMABILITY RATING UL 94V-0  
 CONTACTS PLATING: 50 MICRO-INCH HARD GOLD PLATING  
 PINS: TIN-COATED COPPER WIRE, DIA 0.018 INCH.  
 METAL SHIELD: NICKEL PLATED ON COPPER ALLOY  
 (ALL GROUND LEADS ARE SOLDER DIPPING)

[1] MARK PART WITH MFG. LOGO; MFG. NAME; PART NUMBER; DATE CODE.  
 JACK CAVITY CONFORMS TO FCC RULES AND REGULATIONS.  
 RoHS COMPLIANCE, PER EU DIRECTIVE 2002/95/EC.  
 cULus UL RECOGNIZED - FILE #E196366 AND E169987.

ORIGINATED BY	DATE	TITLE	PART NO. / DRAWING NO.	STANDARD DIM. TOL. IN INCH	[ ] METRIC DIM. AS REFERENCE	REV. : B	 COMPONENTS FROM A CONNECTED PLANET
CHRIS/BILL	01-05-07	gigabit MagJack®	L8261X1T23-F	.X	UNIT : INCH [mm]	SIZE : A4	
DRAWN BY	DATE	(Low Profile, 12 cores)	FILE NAME	.XX	SCALE : N/A	PAGE : 3	
TING	01-05-07	L826-1X1T-23-F	L8261X1T23-FB.DWG	.XXX	±0.010		

THE INFORMATION CONTAINED HEREIN IS CONSIDERED "PROPRIETARY" TO BEL FUSE INC. AND SHALL NOT BE COPIED, REPRODUCED OR DISCLOSED WITHOUT THE WRITTEN APPROVAL OF BEL FUSE INC.

RECOMMENDED PCB FOOTPRINT  
 (COMPONENT SIDE VIEW)



ORIGINATED BY CHRIS/BILL	DATE 01-05-07
DRAWN BY TING	DATE 01-05-07

TITLE gigabit MagJack® (Low Profile, 12 cores) L826-1X1T-23-F
--

PART NO. / DRAWING NO. L8261X1T23-F
FILE NAME L8261X1T23-FB.DWG

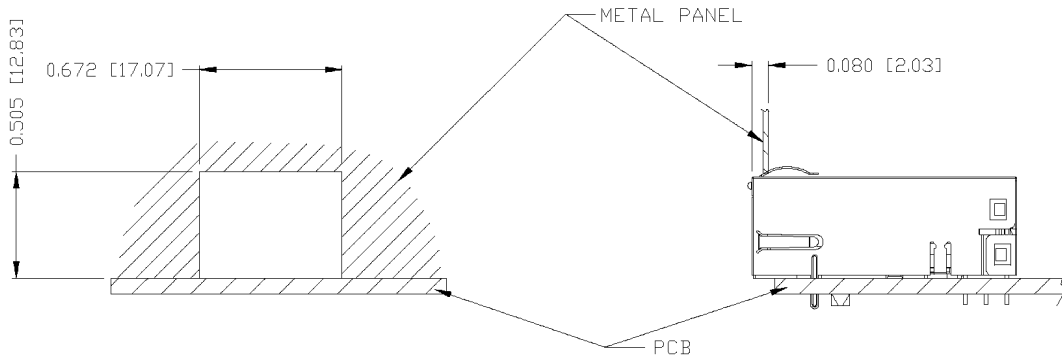
STANDARD DIM. TOL. IN INCH
.X
.XX
.XXX

[ ] METRIC DIM. AS REFERENCE	UNIT : INCH [mm]	REV. : B
SCALE : N/A	SIZE : A4	PAGE : 4



THE INFORMATION CONTAINED HEREIN IS CONSIDERED "PROPRIETARY" TO BEL FUSE INC. AND SHALL NOT BE COPIED, REPRODUCED OR DISCLOSED WITHOUT THE WRITTEN APPROVAL OF BEL FUSE INC.

SUGGESTED PANEL OPENING



NOTE:

THE DISTANCE OF PANEL INSIDE SURFACE RELATIVE TO FRONT SURFACE OF PART IS ONLY A SUGGESTION. IN CASE THIS DISTANCE IS DIFFERENT, THE REQUIRED PANEL OPENING DIMENSIONS CHANGE ACCORDINGLY.

PACKING INFORMATION

PACKING TRAY: 0200-9999-D6 (TOP)  
 0200-9999-D7 (BOTTOM)

PACKING QUANTITY: 40 PCS FINISHED GOODS PER TRAY  
 11 TRAYS (440 PCS FINISHED GOODS) PER CARTON BOX

NOTE: CARDBOARDS ARE PLACED BETWEEN LAYERS OF PACKING TRAY INSIDE CARTON BOX  
 (INCLUDE THE UPPERMOST AND LOWERMOST TRAY)

ORIGINATED BY	DATE	TITLE	PART NO. / DRAWING NO.	STANDARD DIM. TOL. IN INCH	[ ] METRIC DIM. AS REFERENCE	 COMPONENTS OF A CONNECTED PLANET	
CHRIS/BILL	01-05-07	gigabit MagJack® (Low Profile, 12 cores) L826-1X1T-23-F	L8261X1T23-F	.X	UNIT : INCH [mm]		REV. : B
DRAWN BY	DATE		FILE NAME	.XX	SCALE : N/A		SIZE : A4
TING	01-05-07		L8261X1T23-F.B.DWG	.XXX ±0.004		PAGE : 5	