

Excellent Integrated System Limited

Stocking Distributor

Click to view price, real time Inventory, Delivery & Lifecycle Information:

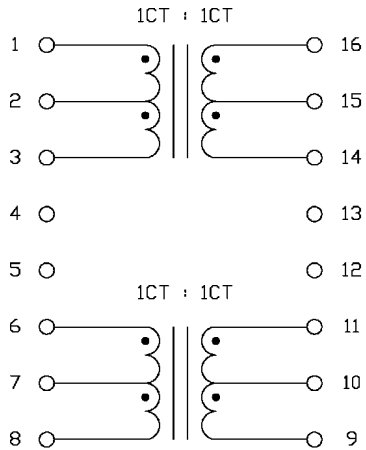
[Bel Fuse Inc.](#)
[S558-5999-03-F](#)

For any questions, you can email us directly:
sales@integrated-circuit.com

THE INFORMATION CONTAINED HEREIN IS CONSIDERED
 "PROPRIETARY" TO BEL FUSE INC. AND SHALL NOT BE
 COPIED, REPRODUCED OR DISCLOSED WITHOUT THE
 WRITTEN APPROVAL OF BEL FUSE INC.



SCHEMATIC



ELECTRICAL SPECIFICATIONS @ 25°C

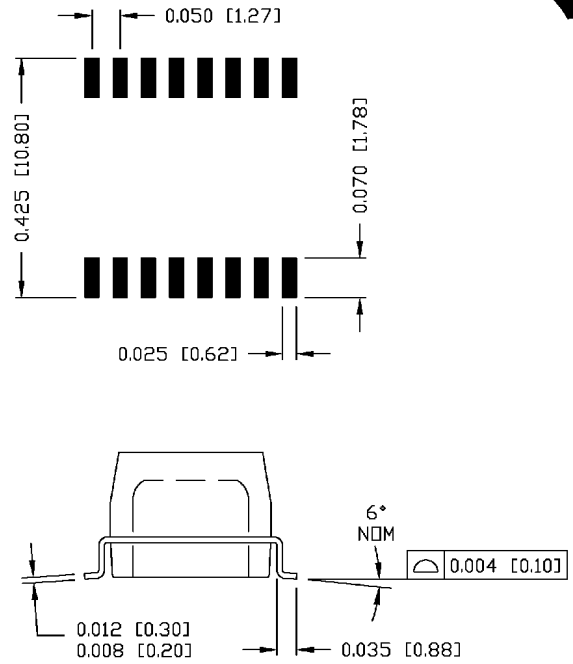
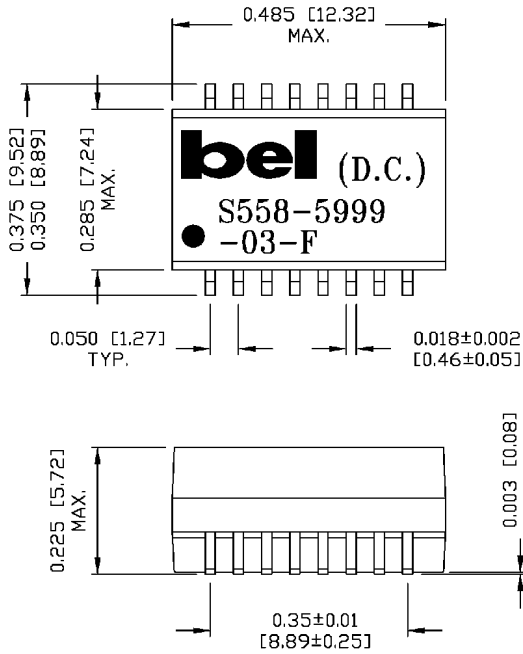
URNS RATIO	1CT : 1CT
POLARITY	1 & 16, 6 & 11 IN PHASE
DCL :	
PIN (1-3) = (6-8)	420 μ H MIN. @ 100kHz, 100mVrms, WITH 8mA DC BIAS
	550 μ H MIN. @ 100kHz, 100mVrms, WITHOUT DC BIAS
INSERTION LOSS :	1 dB MAX. @ 1MHz - 100MHz
RETURN LOSS :	16 dB MIN. @ 100kHz - 30MHz 10 dB MIN. @ 30MHz - 80MHz
HIPOT :	PER HAND-WORK-03

ORIGINATED BY HQ	DATE 04-24-06	TITLE ELECTRICAL SPECIFICATION S558-5999-03-F	PART NO. / DRAWING NO. X558599903-F	STANDARD DIM. TOL. IN INCH	[] METRIC DIM. AS REFERENCE	 COMPONENTS CONNECTED PLANET					
DRAWN BY DQ Chen	DATE 04-24-06		FILE NAME X558599903FA.DWG	<table border="1"> <tr><td>.X</td><td></td></tr> <tr><td>.XX</td><td></td></tr> <tr><td>.XXX</td><td></td></tr> </table>	.X			.XX		.XXX	
.X											
.XX											
.XXX											
DC002(2)032305		This document is electronically generated. This is a controlled copy if used internally		SCALE : N/A		PAGE : 2					

THE INFORMATION CONTAINED HEREIN IS CONSIDERED "PROPRIETARY" TO BEL FUSE INC. AND SHALL NOT BE COPIED, REPRODUCED OR DISCLOSED WITHOUT THE WRITTEN APPROVAL OF BEL FUSE INC.



SUGGESTED PCB PAD LAYOUT



NOTES:

- STANDARD MARKING REFER TO DOC. HAND-WORK-04.
- PACKAGE CODE: "QBS001".

ORIGINATED BY	DATE	TITLE	PART NO. / DRAWING NO.	STANDARD DIM. TOL. IN INCH	[] METRIC DIM. AS REFERENCE	 COMPONENTS ARE CONNECTED PLANET	
HD	04-24-06	MECHANICAL DRAWING	X558599903-F	.X	UNIT : INCH [mm]		REV. : A
DRAWN BY	DATE	S558-5999-03-F	FILE NAME	.XX ±0.01	SCALE : N/A		SIZE : A4
DQ Chen	04-24-06		X558599903FA.DWG	.XXX ±0.005	SCALE : N/A		PAGE : 3

This document is electronically generated. This is a controlled copy if used internally

DC002/21032305