

## Excellent Integrated System Limited

Stocking Distributor

Click to view price, real time Inventory, Delivery & Lifecycle Information:

[Bel Fuse Inc.](#)  
[S558-5999-T5-F](#)

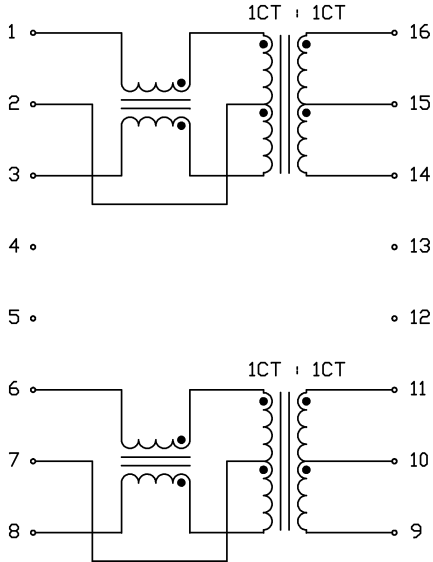
For any questions, you can email us directly:  
[sales@integrated-circuit.com](mailto:sales@integrated-circuit.com)

THE INFORMATION CONTAINED HEREIN IS CONSIDERED "PROPRIETARY" TO BEL FUSE INC. AND SHALL NOT BE COPIED, REPRODUCED OR DISCLOSED WITHOUT THE WRITTEN APPROVAL OF BEL FUSE INC.

ELECTRICAL CHARACTERISTICS @25°C



SCHEMATIC



TURNS RATIO Tx (1-2-3) : (16-15-14) Rx (6-7-8) : (11-10-9)	1CT : 1CT 1CT : 1CT
PHASING OCL (-40°C TO +85°C) TX (16&14) RX (11&9)	16 TO 1 ; 11 TO 6 350µH MIN. @100kHz, 100mV WITH 8mA DC BIAS
LEAKAGE INDUCTANCE, Le (0°C - 70°C) TX (16-14) WITH 1-3 SHORTED RX (11-9) WITH 6-8 SHORTED	0.35µH MAX. @1MHz 20mV
INTERWINDING CAPACITANCE, Cw/w TX (1-3 TO 16-14) RX (6-8 TO 11-9)	30pF MAX. @1MHz 20mV
DCR WINDING RESISTANCE (1-3) = (6-8) (16-14) = (11-9)	2.0ΩH MAX. 1.0ΩH MAX.
INSERTION LOSS @100kHz TO 100MHz	1.0dB MAX.
RETURN LOSS (UNDER 100ΩH ±15% ENVIRONMENT) @100kHz TO 30MHz @30 TO 60MHz @60 TO 80MHz	18dB MIN. 18-20LOG(F/30MHz) MIN. 12dB MIN.
COMMON TO COMMON MODE ATTENUATION @0.1 TO 100MHz	30dB MIN.
CROSSTALK @1MHz @30MHz @60MHz @100MHz	65dB MIN. 55dB MIN. 45dB MIN. 35dB MIN.
COMMON TO DIFFERENTIAL MODE ATTENUATION @0.1 TO 100MHz	40dB MIN.
HIPOT	1500Vrms

ORIGINATED BY	DATE	TITLE	PART NO. / DRAWING NO.	STANDARD DIM.	[ ] METRIC DIM. AS REFERENCE	 COMPONENTS OF A CONNECTED PLANET	
CHAN CH	06-27-08	10/100BT MAGNETICS MODULE	X5585999T5-F	TOL. IN INCH	UNIT : INCH [mm]		REV. : B
DRAWN BY	DATE	S558-5999-T5-F	FILE NAME	.X	SCALE : N/A		SIZE : A4
YH Lal	06-27-08		X5585999T5FB.DWG	.XX .XXX			PAGE : 2

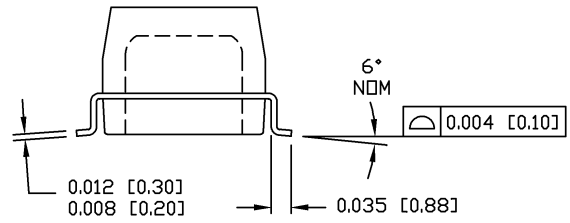
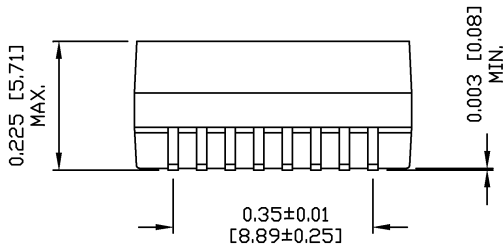
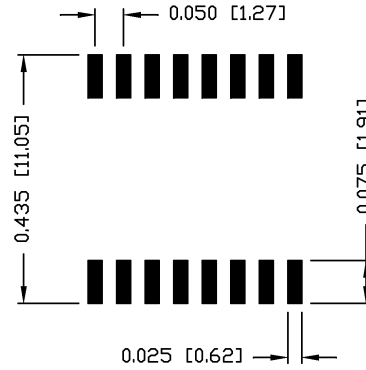
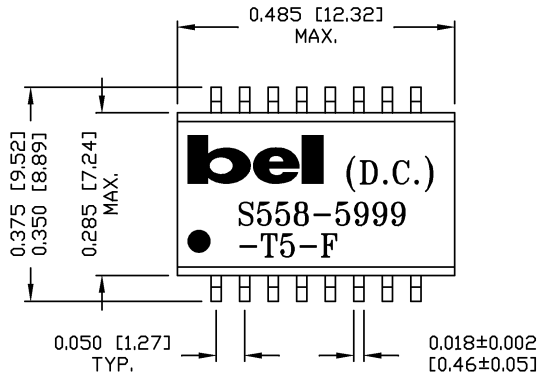
DC002(2)092305

This document is electronically generated. This is a controlled copy if used internally



THE INFORMATION CONTAINED HEREIN IS CONSIDERED "PROPRIETARY" TO BEL FUSE INC. AND SHALL NOT BE COPIED, REPRODUCED OR DISCLOSED WITHOUT THE WRITTEN APPROVAL OF BEL FUSE INC.

SUGGESTED PCB PAD LAYOUT



NOTES:

- STANDARD MARKING REFER TO DOC. HAND-WORK-04.
- PACKAGE CODE: "QBS001".

ORIGINATED BY LAWRENCE TSANG	DATE 06-27-08	TITLE MECHANICAL DRAWING S558-5999-T5-F	PART NO. / DRAWING NO. X5585999T5-F	STANDARD DIM. TOL. IN INCH .X .XX ±0.01 .XXX ±0.005	[ ] METRIC DIM. AS REFERENCE UNIT : INCH [mm] SCALE : N/A PAGE : 3	REV. : B SIZE : A4	 COMPONENTS OF A CONNECTED PLANET
DRAWN BY YH Lai	DATE 06-27-08	FILE NAME X5585999T5FB.DWG					

DC002(2)092305

This document is electronically generated. This is a controlled copy if used internally