

## Excellent Integrated System Limited

Stocking Distributor

Click to view price, real time Inventory, Delivery & Lifecycle Information:

[Bel Fuse Inc.](#)  
[0826-1C1T-23-F](#)

For any questions, you can email us directly:  
[sales@integrated-circuit.com](mailto:sales@integrated-circuit.com)



THE INFORMATION CONTAINED HEREIN IS CONSIDERED "PROPRIETARY" TO BEL FUSE INC. AND SHALL NOT BE COPIED, REPRODUCED OR DISCLOSED WITHOUT THE WRITTEN APPROVAL OF BEL FUSE INC.

LED1 POLARITY			LED2 POLARITY		
PIN 13	PIN 14	COLOR	PIN 15	PIN 16	COLOR
+	-	YELLOW	+	-	YELLOW
-	+	GREEN	-	+	GREEN

**ELECTRICAL CHARACTERISTICS @ 25°C**

**TRANS RATIO**

TP1	1CT : 1CT ±2%
TP2	1CT : 1CT ±2%
TP3	1CT : 1CT ±2%
TP4	1CT : 1CT ±2%

**OCL @ 100kHz/100mVRMS**

8mA DC BIAS 350µH MIN.

**INS. LOSS**

0.1MHz TO 1MHz	-1.1 dB MAX
1MHz TO 65MHz	-0.5 dB MAX
65MHz TO 100MHz	-0.8 dB MAX
100MHz TO 125MHz	-1.2 dB MAX

**RET. LOSS (MIN)**

0.5MHz-40MHz	-18 dB
40MHz-100MHz	-12+20LOG(f/80MHz) dB

**CM TO CM REJ**

100kHz - 100MHz -30 dB MIN

**CM TO DM REJ**

100kHz - 100MHz -35 dB MIN

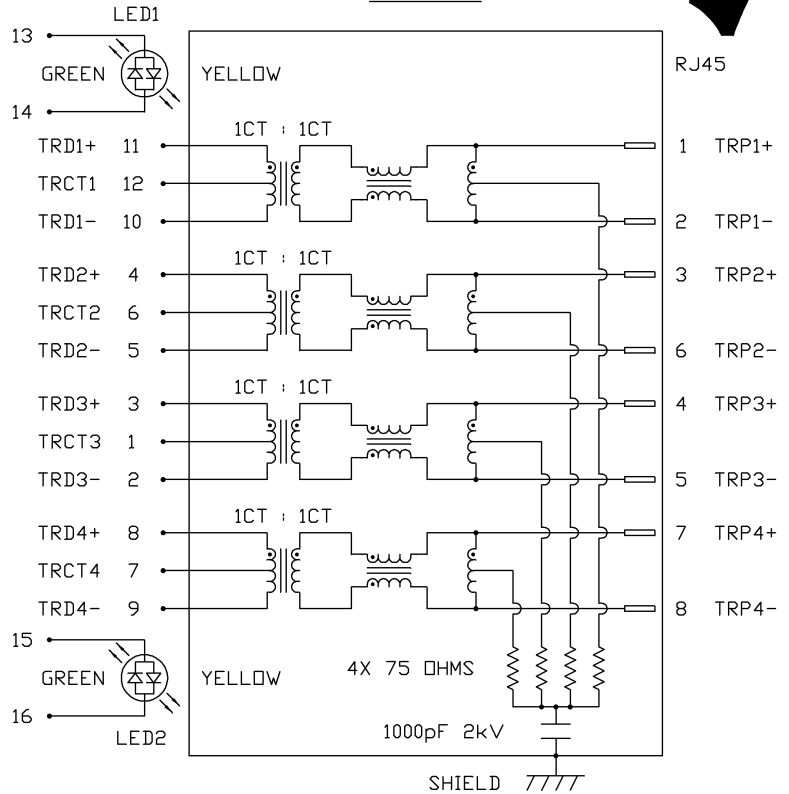
**HIPOT (Isolation Voltage):** 1500 Vrms or 2250VDC

100% OF PRODUCTION TESTED TO COMPLY WITH IEEE 802.3 ISOLATION REQUIREMENTS.

**LED 1 & LED 2**

VF (FORWARD VOLTAGE)	IF=20mA	GREEN	2.2V TYP.
		YELLOW	2.1V TYP.
λD (DOMINANT WAVELENGTH)	IF=20mA	GREEN	565nm TYP.
		YELLOW	590nm TYP.

**SCHEMATIC**



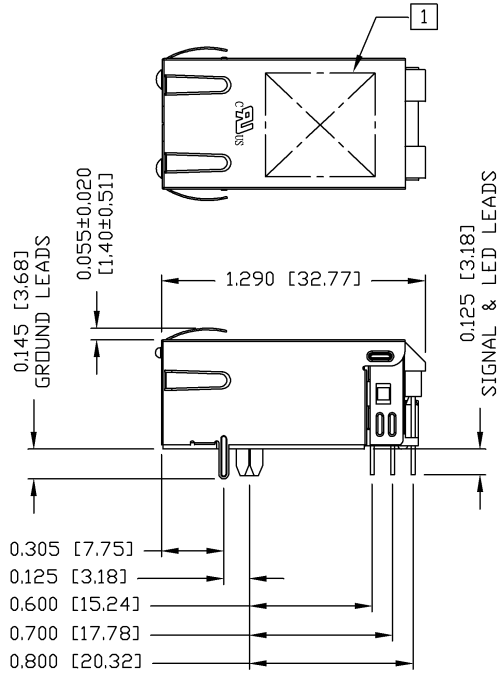
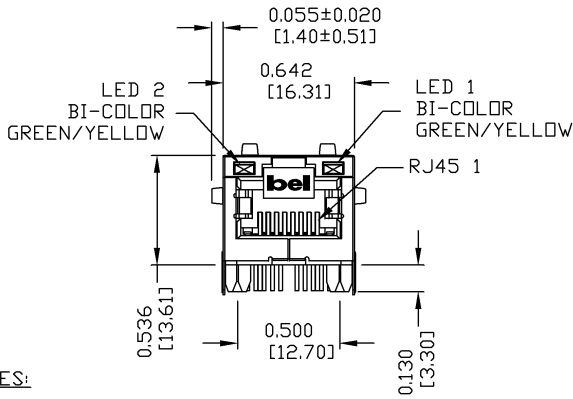
<b>ORIGINATED BY</b> CHOW WANCHUNG	<b>DATE</b> 07-31-08	<b>TITLE</b> gigabit MagJack® (12 cores, Tab Up) 0826-1C1T-23-F	<b>PART NO. / DRAWING NO.</b> 08261C1T23-F	<b>STANDARD DIM.</b> TOL. IN INCH	<input type="checkbox"/> METRIC DIM. AS REFERENCE
<b>DRAWN BY</b> WEIDE LEE	<b>DATE</b> 07-31-08		<b>FILE NAME</b> 08261C1T23-F_C.DWG	.X .XX .XXX	UNIT : INCH [mm] SCALE : N/A SIZE : A4





THE INFORMATION CONTAINED HEREIN IS CONSIDERED "PROPRIETARY" TO BEL FUSE INC. AND SHALL NOT BE COPIED, REPRODUCED OR DISCLOSED WITHOUT THE WRITTEN APPROVAL OF BEL FUSE INC.

MECHANICAL SPECIFICATION



NOTES:

- PLASTIC HOUSING: THERMOPLASTIC PA  
FLAMMABILITY RATING UL 94V-0
- CONTACTS: 50 MICRO-INCH HARD GOLD PLATING
- OUTPUT PINS: TIN-COATED COPPER WIRE, DIA 0.018 INCH.
- METAL SHIELD: NICKEL PLATED ON COPPER ALLOY.  
(ALL GROUND LEADS ARE SOLDER DIPPED)
- ☐ MARK PART WITH MFG LOGO, MFG NAME, PART NUMBER, AND DATE CODE.

**UL** US UL RECOGNIZED - FILE #E196366 AND E169987.  
 RoHS COMPLIANT, PER EU DIRECTIVE 2002/95/EC  
 JACK CAVITY CONFORMS TO FCC RULES AND REGULATIONS.

ORIGINATED BY ZX HUANG	DATE 07-31-08	TITLE gigabit MagJack® (12 cores, Tab Up) 0826-1C1T-23-F	PART NO. / DRAWING NO. 08261C1T23-F	STANDARD DIM. TOL. IN INCH	[ ] METRIC DIM. AS REFERENCE	 COMPONENTS OF A CONNECTED PLANET
DRAWN BY BL CHEN	DATE 07-31-08		FILE NAME 08261C1T23-F_C.DWG	.X .XX .XXX ±0.010	UNIT : INCH [mm] SCALE : N/A SIZE : A4 PAGE : 3	

DC002(2)032305

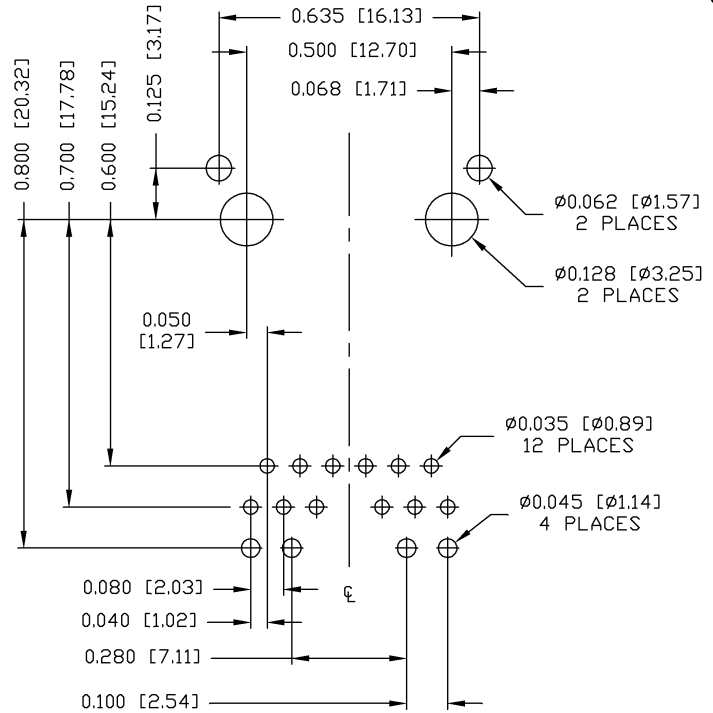
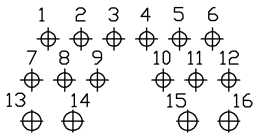
This document is electronically generated. This is a controlled copy if used internally



THE INFORMATION CONTAINED HEREIN IS CONSIDERED "PROPRIETARY" TO BEL FUSE INC. AND SHALL NOT BE COPIED, REPRODUCED OR DISCLOSED WITHOUT THE WRITTEN APPROVAL OF BEL FUSE INC.

**RECOMMENDED PCB FOOTPRINT**  
**COMPONENT SIDE VIEW**

**PIN ASSIGNMENT - EACH PORT**  
**COMPONENT SIDE VIEW**

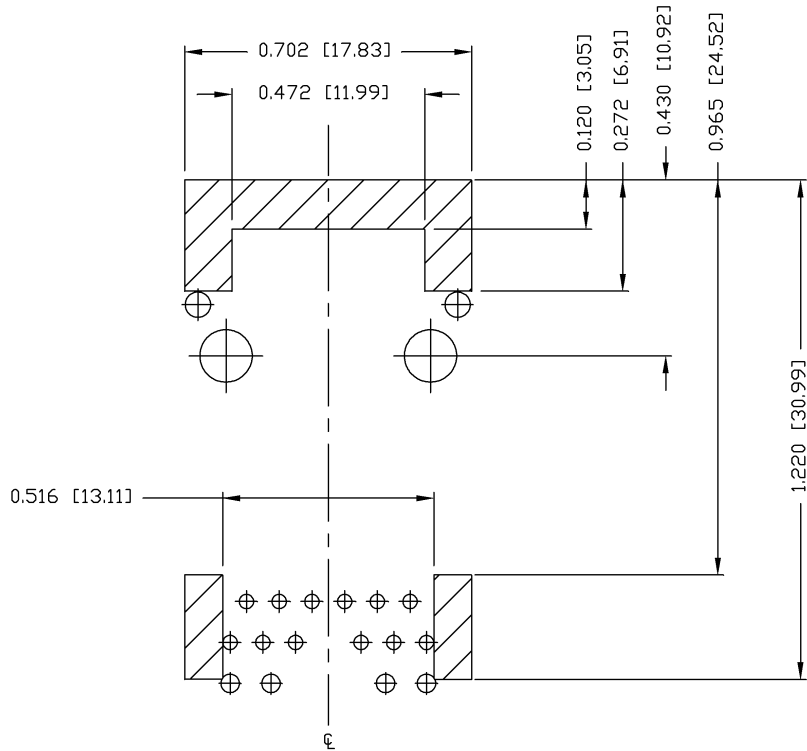


<b>ORIGINATED BY</b> ZX HUANG	<b>DATE</b> 07-31-08	<b>TITLE</b> gigabit MagJack® (12 cores, Tab Up) 0826-1C1T-23-F	<b>PART NO. / DRAWING NO.</b> 08261C1T23-F	<b>STANDARD DIM. TOL. IN INCH</b>	<b>[ ] METRIC DIM. AS REFERENCE</b>	 COMPONENTS FOR A CONNECTED PLANET											
<b>DRAWN BY</b> BL CHEN	<b>DATE</b> 07-31-08		<b>FILE NAME</b> 08261C1T23-F_C.DWG	<table border="1"> <tr> <td>.X</td> <td></td> </tr> <tr> <td>.XX</td> <td></td> </tr> <tr> <td>.XXX</td> <td>±0.004</td> </tr> </table>	.X			.XX		.XXX	±0.004	<table border="1"> <tr> <td>UNIT : INCH [mm]</td> <td>REV. : C</td> </tr> <tr> <td>SCALE : N/A</td> <td>SIZE : A4</td> </tr> <tr> <td></td> <td>PAGE : 4</td> </tr> </table>	UNIT : INCH [mm]	REV. : C	SCALE : N/A	SIZE : A4	
.X																	
.XX																	
.XXX	±0.004																
UNIT : INCH [mm]	REV. : C																
SCALE : N/A	SIZE : A4																
	PAGE : 4																

DC002(2)032305

This document is electronically generated. This is a controlled copy if used internally

THE INFORMATION CONTAINED HEREIN IS CONSIDERED "PROPRIETARY" TO BEL FUSE INC. AND SHALL NOT BE COPIED, REPRODUCED OR DISCLOSED WITHOUT THE WRITTEN APPROVAL OF BEL FUSE INC.



**NOTES**

THE SHADED AREA ON THE CUSTOMER BOARD ARE RECOMMENDED TO BE CLEAR OFF ANY VIA HOLE OR COMPONENT PAD.

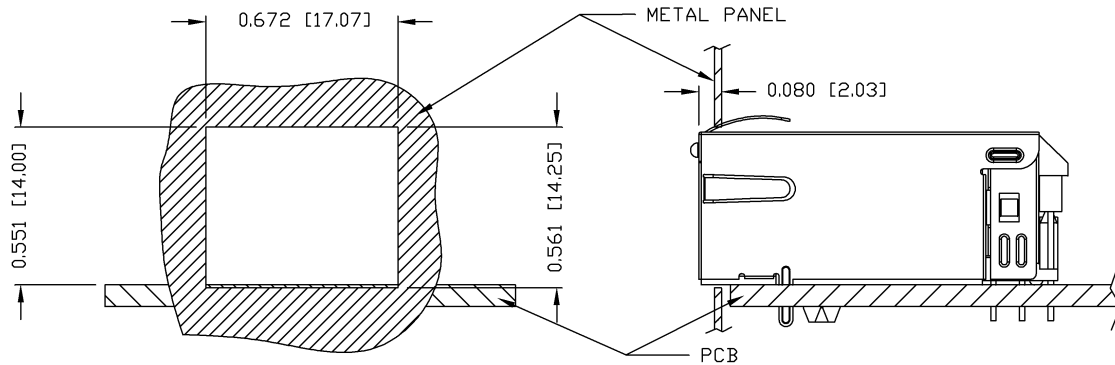
<b>ORIGINATED BY</b> ZX HUANG	<b>DATE</b> 07-31-08	<b>TITLE</b> gigabit MagJack® (12 cores, Tab Up) 0826-1C1T-23-F	<b>PART NO. / DRAWING NO.</b> 08261C1T23-F	<b>STANDARD DIM. TOL. IN INCH</b>	<b>[ ] METRIC DIM. AS REFERENCE</b>	<b>REV. : C</b>	<b>bel</b> COMPONENTS ON A CONNECTED PLANET
<b>DRAWN BY</b> BL CHEN	<b>DATE</b> 07-31-08		<b>FILE NAME</b> 08261C1T23-F_C.DWG	.X .XX .XXX ±0.004	UNIT : INCH [mm] SCALE : N/A		

DC002(2)032305

This document is electronically generated. This is a controlled copy if used internally

THE INFORMATION CONTAINED HEREIN IS CONSIDERED "PROPRIETARY" TO BEL FUSE INC. AND SHALL NOT BE COPIED, REPRODUCED OR DISCLOSED WITHOUT THE WRITTEN APPROVAL OF BEL FUSE INC.

SUGGESTED PANEL OPENING



NOTE:


THE DISTANCE OF PANEL INSIDE SURFACE RELATIVE TO FRONT SURFACE OF PART IS ONLY A SUGGESTION. IN CASE THIS DISTANCE IS DIFFERENT, THE REQUIRED PANEL OPENING DIMENSIONS CHANGE ACCORDINGLY.

PACKING INFORMATION

PACKING TRAY : 0200-9999-F6 (TOP)  
 0200-9999-F7 (BOTTOM)

PACKING QUANTITY : 40 PCS FINISHED GOODS PER TRAY  
 10 TRAYS (400 PCS FINISHED GOODS) PER CARTON BOX

NOTE : CARDBOARDS ARE PLACED BETWEEN LAYERS OF PACKING TRAY INSIDE CARTON BOX  
 (INCLUDE THE UPPERMOST AND LOWERMOST TRAY)

<b>ORIGINATED BY</b> ZX HUANG	<b>DATE</b> 07-31-08	<b>TITLE</b> gigabit MagJack® (12 cores, Tab Up) 0826-1C1T-23-F	<b>PART NO. / DRAWING NO.</b> 08261C1T23-F	<b>STANDARD DIM. TOL. IN INCH</b>	<b>[ ] METRIC DIM. AS REFERENCE</b>	 <b>COMPONENTS ON A CONNECTED PLANET</b>
<b>DRAWN BY</b> BL CHEN	<b>DATE</b> 07-31-08		<b>FILE NAME</b> 08261C1T23-F_C.DWG	.X .XX .XXX	UNIT : INCH [mm] SCALE : N/A ±0.004	