

## Excellent Integrated System Limited

Stocking Distributor

Click to view price, real time Inventory, Delivery & Lifecycle Information:

[Bel Fuse Inc.](#)  
[S558-5999-AA-F](#)

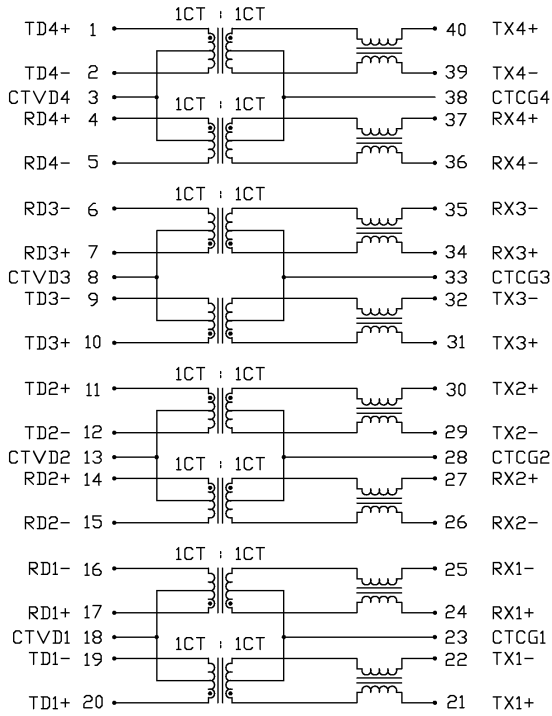
For any questions, you can email us directly:  
[sales@integrated-circuit.com](mailto:sales@integrated-circuit.com)

THE INFORMATION CONTAINED HEREIN IS CONSIDERED 'PROPRIETARY' TO BEL FUSE INC. AND SHALL NOT BE COPIED, REPRODUCED OR DISCLOSED WITHOUT THE WRITTEN APPROVAL OF BEL FUSE INC.



**SCHEMATIC**

**ELECTRICAL CHARACTERISTICS @ 25°C**



TD4+ 1	1CT : 1CT	40	TX4+	URNS RATIO	
TD4- 2		39	TX4-	$T_x = R_x$	1CT : 1CT
CTVD4 3	1CT : 1CT	38	CTCG4	POLARITY :	4°&37°, 7°&34°, 14°&27°, 17°&24°
RD4+ 4		37	RX4+		1°&40°, 10°&31°, 11°&30°, 20°&21° IN PHASE
RD4- 5		36	RX4-		
RD3- 6	1CT : 1CT	35	RX3-	QCL	350μH MIN. @ 100kHz, 100mV
RD3+ 7		34	RX3+	@-40° TO +80°C	WITH 8mA D.C. BIAS
CTVD3 8	1CT : 1CT	33	CTCG3	INSERTION LOSS	1.0 dB MAX. @ 1MHz TO 80MHz
TD3- 9		32	TX3-		
TD3+ 10		31	TX3+	RETURN LOSS	
TD2+ 11	1CT : 1CT	30	TX2+	MEASURED UNDER A	18 dB MIN. @ 0.1MHz - 30MHz
TD2- 12		29	TX2-	100 Ω ENVIRONMENT	18-20 LOG(f/30MHz) dB MIN. @ 30MHz - 60MHz
CTVD2 13	1CT : 1CT	28	CTCG2		12 dB MIN. @ 60MHz - 80MHz
RD2+ 14		27	RX2+	COMMON TO DIFFERENTIAL	40 dB MIN. @ 0.1MHz TO 100MHz
RD2- 15		26	RX2-	MODE REJECTION	
RD1- 16	1CT : 1CT	25	RX1-	COMMON TO COMMON	35 dB MIN. @ 0.1MHz TO 100MHz
RD1+ 17		24	RX1+	MODE REJECTION	20 dB MIN. @ 100MHz TO 500MHz
CTVD1 18	1CT : 1CT	23	CTCG1	CROSS TALK	32 dB MIN. @ 0.1MHz TO 100MHz
TD1- 19		22	TX1-	HIPOT	PER HAND-WORK-03
TD1+ 20		21	TX1+		

ORIGINATED BY	DATE	TITLE	PART NO. / DRAWING NO.	STANDARD DIM.	[ ] METRIC DIM. AS REFERENCE	 COMPONENTS ARE CONNECTED PLANET
HD	12-12-05	10/100BT MAGNETICS MODULE	X5585999AA-F	TOL. IN INCH	UNIT : INCH [mm] REV. : A	
DRAWN BY	DATE	S558-5999-AA-F	FILE NAME	.X .XX .XXX	SCALE : N/A SIZE : A4	
DQ Chen	12-12-05		X5585999AAFA.DWG		PAGE : 2	

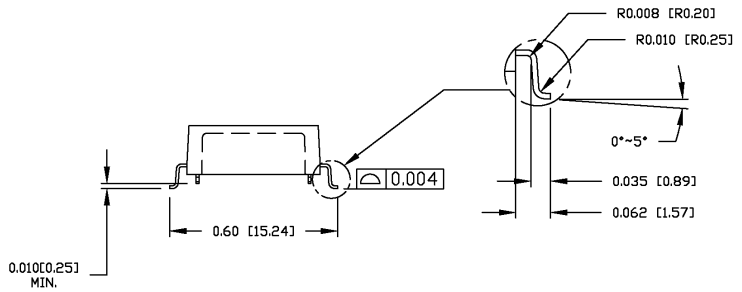
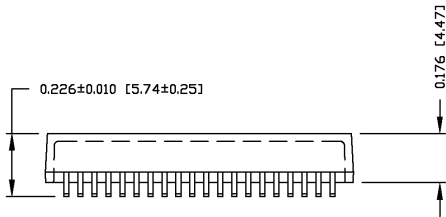
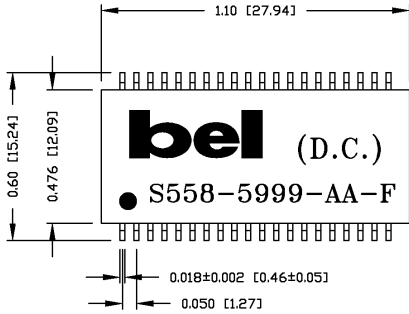
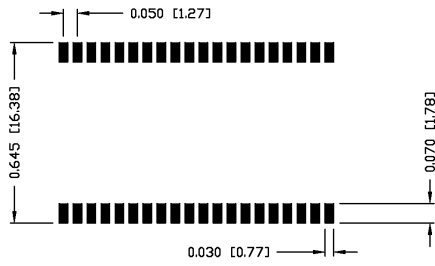
DC002(2)032305

This document is electronically generated. This is a controlled copy if used internally

THE INFORMATION CONTAINED HEREIN IS CONSIDERED "PROPRIETARY" TO BEL FUSE INC. AND SHALL NOT BE COPIED, REPRODUCED OR DISCLOSED WITHOUT THE WRITTEN APPROVAL OF BEL FUSE INC.



SUGGESTED PCB PAD LAYOUT



NOTES:

1. STANDARD MARKING REFER TO DOC. HAND-WORK-04.
2. PACKAGE CODE: "RRS001".

ORIGINATED BY	DATE	TITLE	PART NO. / DRAWING NO.	STANDARD DIM. TOL. IN INCH	[ ] METRIC DIM. AS REFERENCE	 COMPONENTS OF A CONNECTED PLANET	
HQ	12-12-05	MECHANICAL DRAWING	X5585999AA-F	.X	UNIT : INCH [mm]		REV. : A
DRAWN BY	DATE	S558-5999-AA-F	FILE NAME	.XX ±0.01	SCALE : N/A		SIZE : A4
DQ Chen	12-12-05		X5585999AAFA.DWG	.XXX ±0.005	SCALE : N/A		PAGE : 3

DC002(2)032305

This document is electronically generated. This is a controlled copy if used internally