

## Excellent Integrated System Limited

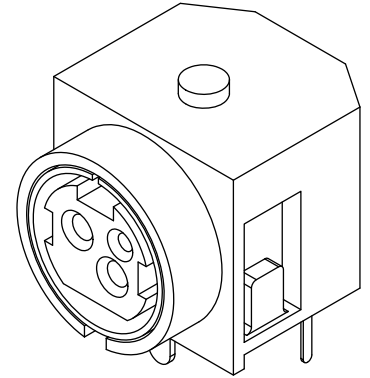
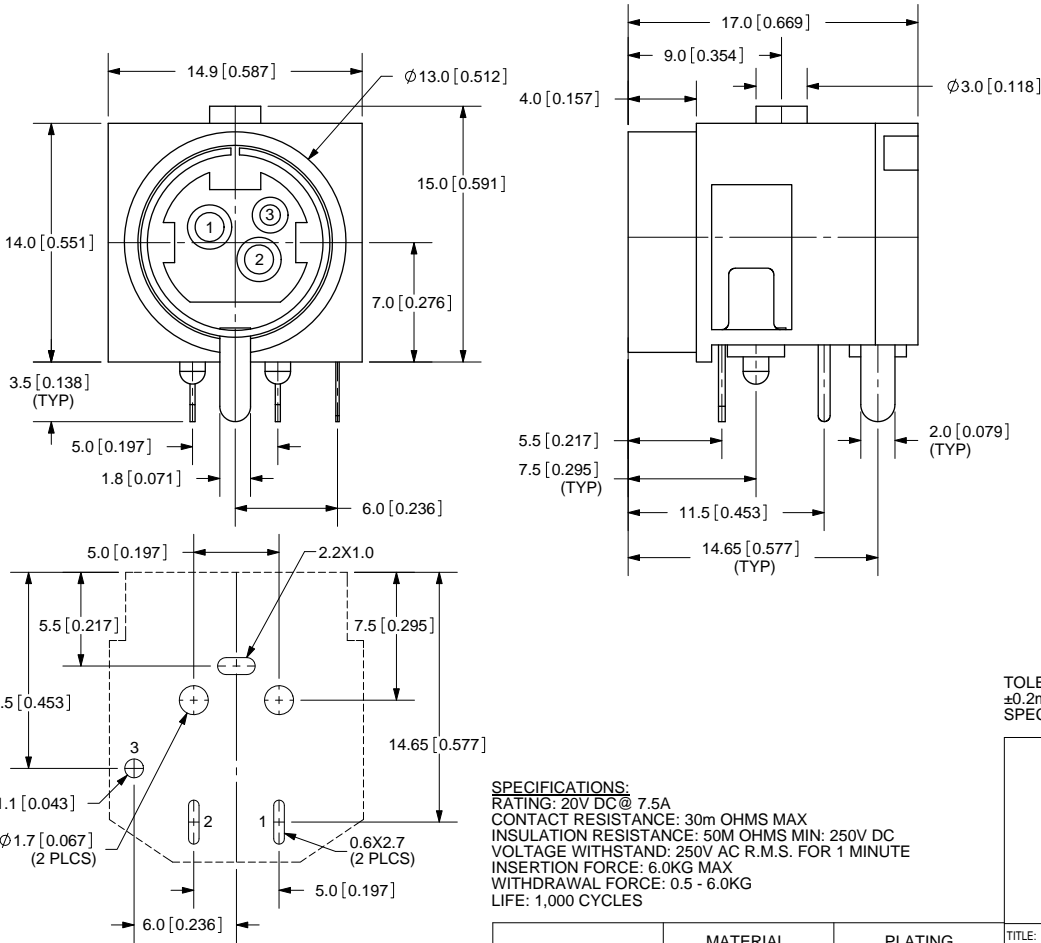
Stocking Distributor

Click to view price, real time Inventory, Delivery & Lifecycle Information:

[CUI Inc.](#)  
[PD-30](#)

For any questions, you can email us directly:  
[sales@integrated-circuit.com](mailto:sales@integrated-circuit.com)

REV.	DESCRIPTION	DATE
A	NEW DRAWING	11/19/2008
B	update to tolerance	9/8/2009



TOLERANCE:  
±0.2mm UNLESS OTHERWISE  
SPECIFIED



**CUI INC**

20050 SW 112th Ave.  
Tualatin, OR 97062  
Phone: 503-612-2300  
800-275-4899  
Fax: 503-612-2383  
Website: [www.cui.com](http://www.cui.com)

**SPECIFICATIONS:**  
 RATING: 20V DC @ 7.5A  
 CONTACT RESISTANCE: 30m OHMS MAX  
 INSULATION RESISTANCE: 50M OHMS MIN: 250V DC  
 VOLTAGE WITHSTAND: 250V AC R.M.S. FOR 1 MINUTE  
 INSERTION FORCE: 6.0KG MAX  
 WITHDRAWAL FORCE: 0.5 - 6.0KG  
 LIFE: 1,000 CYCLES

	MATERIAL	PLATING
TERMINAL 1	Phosphor Bronze	Tin
TERMINALS 2-3	Brass	Tin
EARTH TERMINAL	Brass	Tin
HOUSING	PBT	

TITLE: 3-PIN POWER DIN JACK, RIGHT ANGLE, NO SHIELDING		REV: B
PART NO. PD-30	UNITS: MM [INCHES]	
DRAWN BY: ZRJ	APPROVED BY:	SCALE: 3:1

PC FILE NAME: PD-30

COPYRIGHT 2008 BY CUI INC.