

## Excellent Integrated System Limited

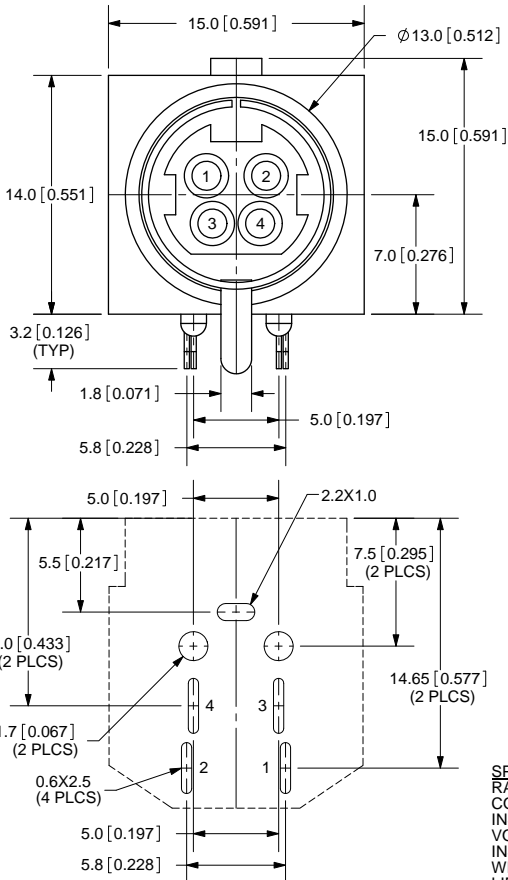
Stocking Distributor

Click to view price, real time Inventory, Delivery & Lifecycle Information:

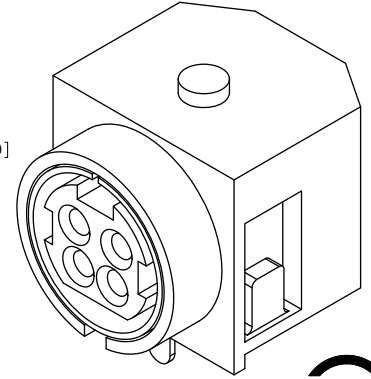
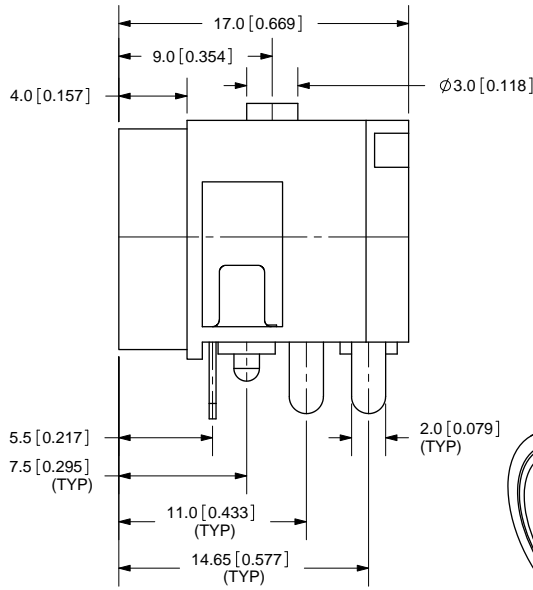
[CUI Inc.](#)  
[PD-40](#)

For any questions, you can email us directly:  
[sales@integrated-circuit.com](mailto:sales@integrated-circuit.com)

REV.	DESCRIPTION	DATE
A	NEW DRAWING	11/19/2008
B	update to tolerance	9/8/2009



PCB LAYOUT  
TOP VIEW



TOLERANCE:  
±0.2mm UNLESS OTHERWISE  
SPECIFIED



**SPECIFICATIONS:**

RATING: 20V DC @ 7.5A  
CONTACT RESISTANCE: 30m OHMS MAX  
INSULATION RESISTANCE: 50M OHMS MIN: 250V DC  
VOLTAGE WITHSTAND: 250V AC R.M.S. FOR 1 MINUTE  
INSERTION FORCE: 6.0KG MAX  
WITHDRAWAL FORCE: 0.5 - 6.0KG  
LIFE: 1,000 CYCLES



**CUI INC**

20050 SW 112th Ave.  
Tualatin, OR 97062  
Phone: 503-612-2300  
800-275-4899  
Fax: 503-612-2383  
Website: [www.cui.com](http://www.cui.com)

TITLE: 4-PIN POWER DIN JACK, RIGHT ANGLE,  
NO SHIELDING

REV: B

PART NO.	UNITS:	SCALE:
PD-40	MM [INCHES]	3:1
DRAWN BY:	APPROVED BY:	
ZRJ		

	MATERIAL	PLATING
TERMINALS 1-4	Brass	Tin
EARTH TERMINAL	Brass	Tin
HOUSING	PBT	

PC FILE NAME:  
PD-40

COPYRIGHT 2008 BY CUI INC.