

Excellent Integrated System Limited

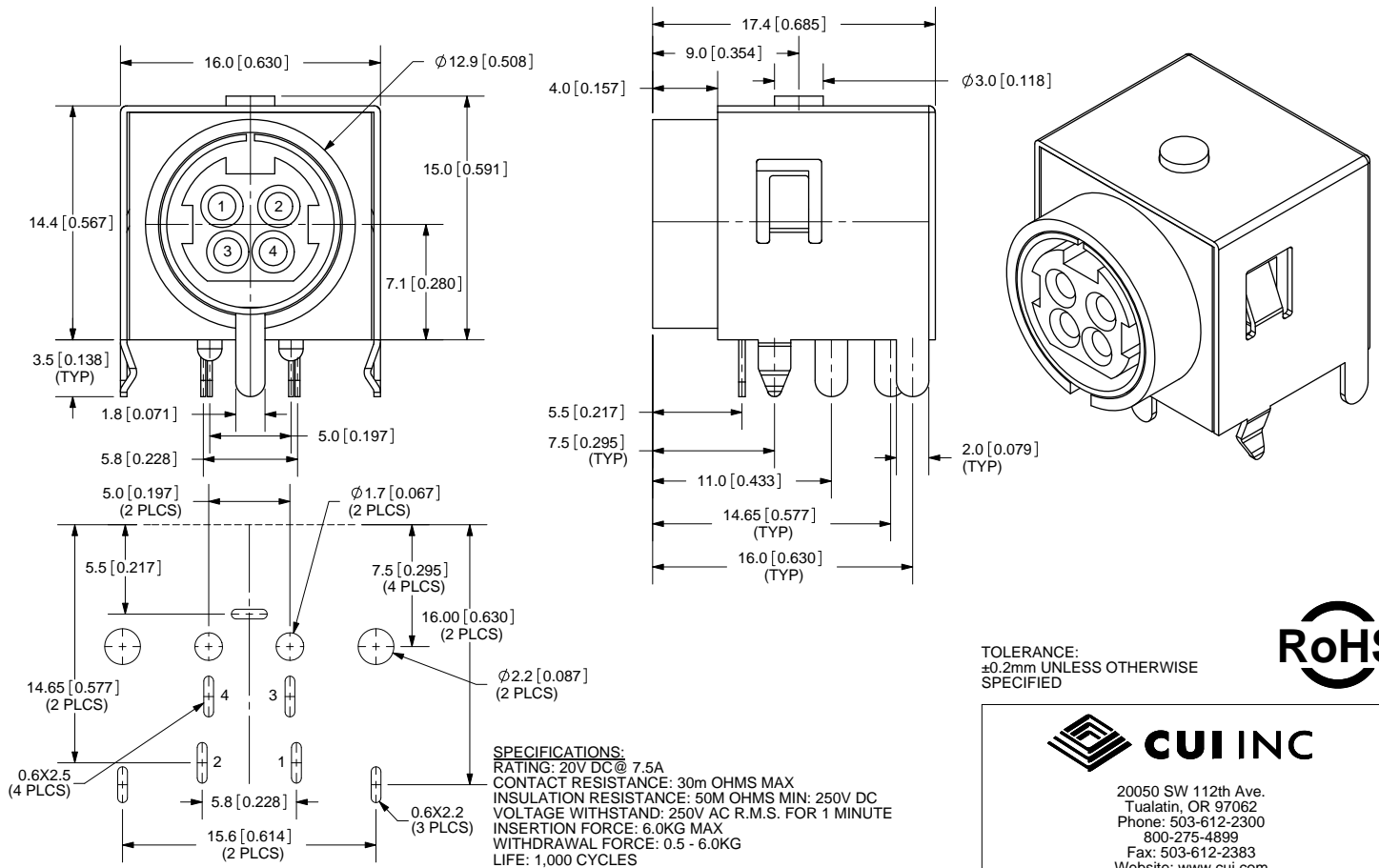
Stocking Distributor

Click to view price, real time Inventory, Delivery & Lifecycle Information:

[CUI Inc.](#)
[PD-40S](#)

For any questions, you can email us directly:
sales@integrated-circuit.com

REV.	DESCRIPTION	DATE
A	NEW DRAWING	11/19/2008
B	update to title and tolerance	9/8/2009



TOLERANCE:
 ±0.2mm UNLESS OTHERWISE
 SPECIFIED



20050 SW 112th Ave.
 Tualatin, OR 97062
 Phone: 503-612-2300
 800-275-4899
 Fax: 503-612-2383
 Website: www.cui.com

SPECIFICATIONS:
 RATING: 20V DC @ 7.5A
 CONTACT RESISTANCE: 30m OHMS MAX
 INSULATION RESISTANCE: 50M OHMS MIN: 250V DC
 VOLTAGE WITHSTAND: 250V AC R.M.S. FOR 1 MINUTE
 INSERTION FORCE: 6.0KG MAX
 WITHDRAWAL FORCE: 0.5 - 6.0KG
 LIFE: 1,000 CYCLES

MATERIAL	PLATING	TITLE: 4-PIN POWER DIN JACK, RIGHT ANGLE, WITH SHIELDING	REV: B
TERMINALS 1-4	Brass	Tin	PART NO. PD-40S UNITS: MM [INCHES]
EARTH TERMINAL	Brass	Tin	
SHIELD	Steel	Tin	DRAWN BY: ZRJ APPROVED BY: SCALE: 3:1
HOUSING	PBT		

PC FILE NAME: PD-40S

COPYRIGHT 2008 BY CUI INC.