



Excellent Integrated System Limited

Stocking Distributor

Click to view price, real time Inventory, Delivery & Lifecycle Information:

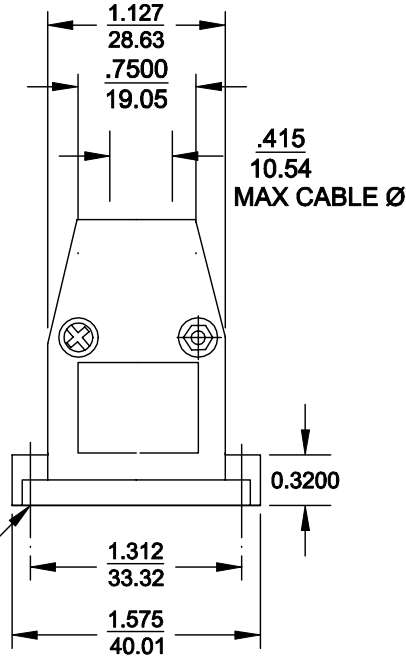
[NorComp](#)
[980-015-030-121](tel:980-015-030-121)

For any questions, you can email us directly:
sales@integrated-circuit.com

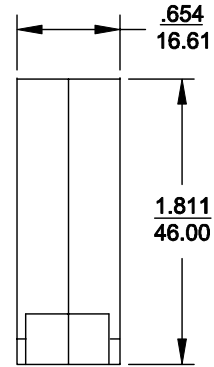
DESCRIPTION: **980 SERIES ETHERNET STRAIGHT BACKSHELL**

BACKSHELL KIT INCLUDES:


- (2) BACKSHELL HALVES
- (2) HOUSING SCREWS
- (2) HOUSING NUTS
- (1) GROMMET TREE - VARIOUS SIZES
(NON-CONDUCTIVE GROMMETS)



SERIES 980-XXX-XXX-XX1
 POSITIONS 015
 MATERIAL 030 = ZINC
 COLOR: 12 = NICKEL OVER COPPER
 PUT-UPS 1 = KIT



MATERIAL: DIE-CAST ZINC ALLOY
NICKEL PLATED

	THESE DRAWINGS AND SPECIFICATIONS ARE THE PROPERTY OF NorComp AND SHALL NOT BE REPRODUCED, COPIED OR USED AS THE BASIS FOR THE MANUFACTURE OR SALE OF APPARATUS WITHOUT WRITTEN PERMISSION.		DRAWN: PAM JENKINS	DATE: 8-7-98
			CHECKED:	DATE:
NorComp		SCALE	SHEET OF	REV 2
		DWG NO. 980-015-030-121		