

Excellent Integrated System Limited

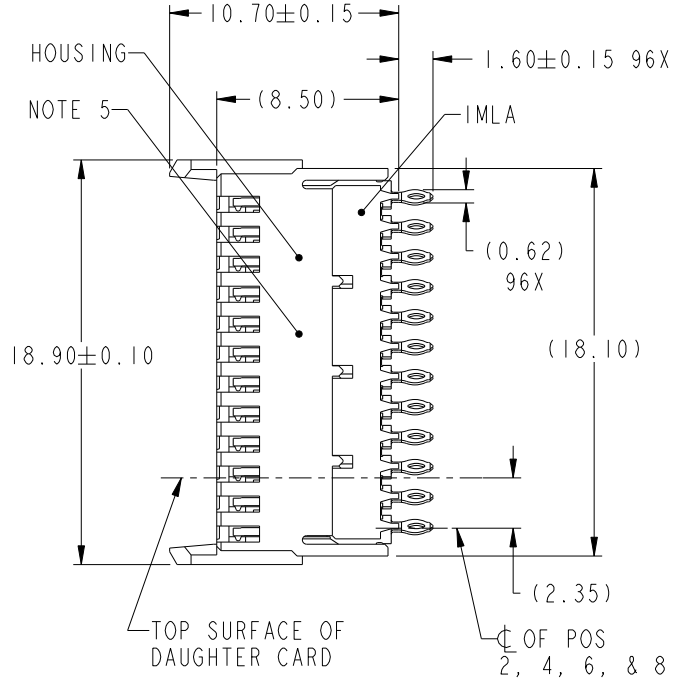
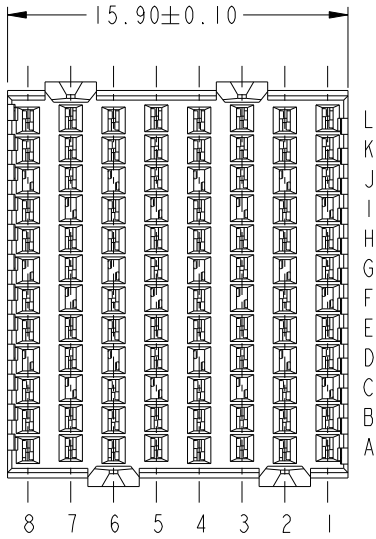
Stocking Distributor

Click to view price, real time Inventory, Delivery & Lifecycle Information:

[FCI](#)
[10084605-101LF](#)

For any questions, you can email us directly:
sales@integrated-circuit.com

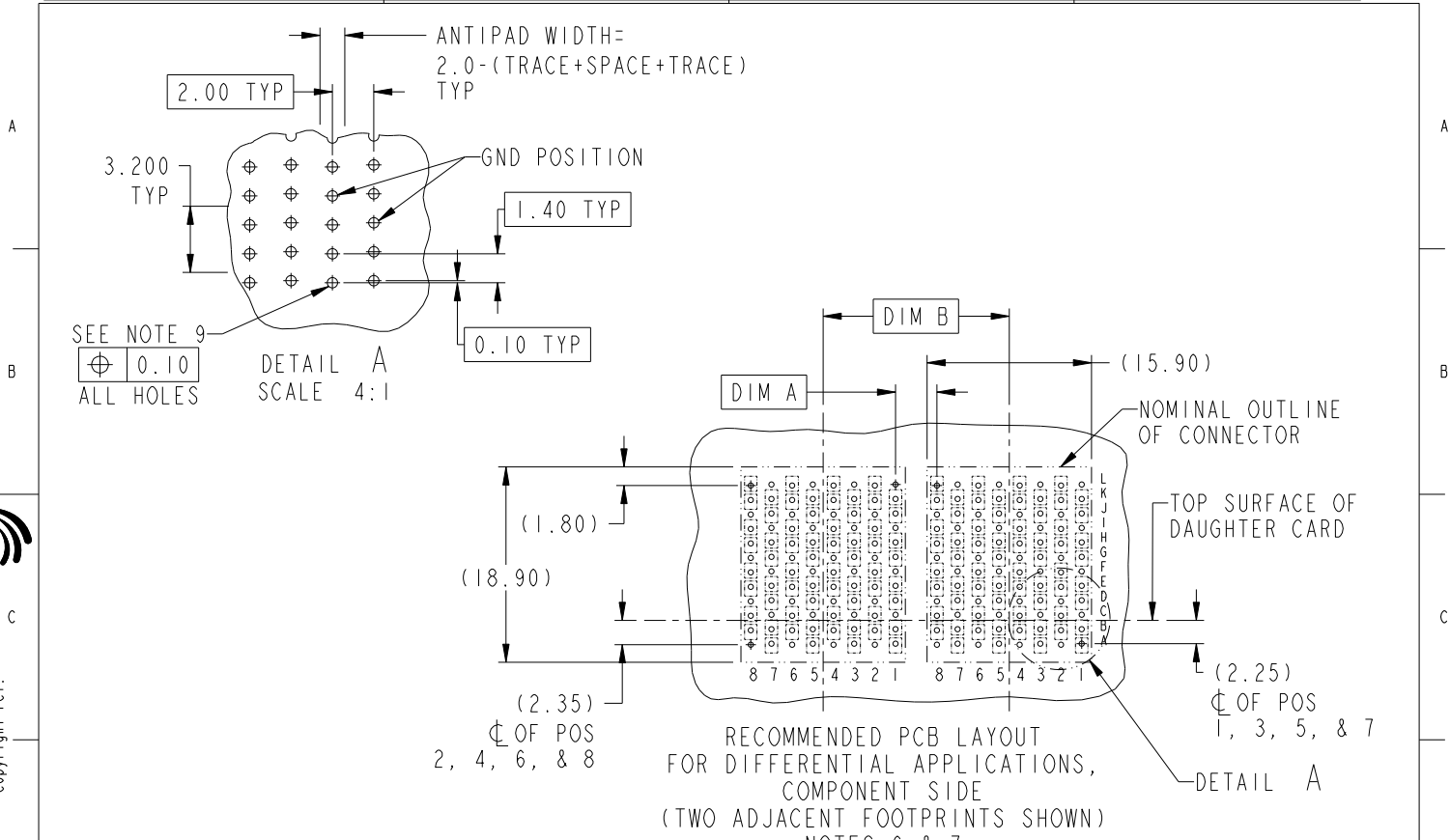
PRODUCT NUMBER
SEE TABLE, SHT 4



Copyright FCI.

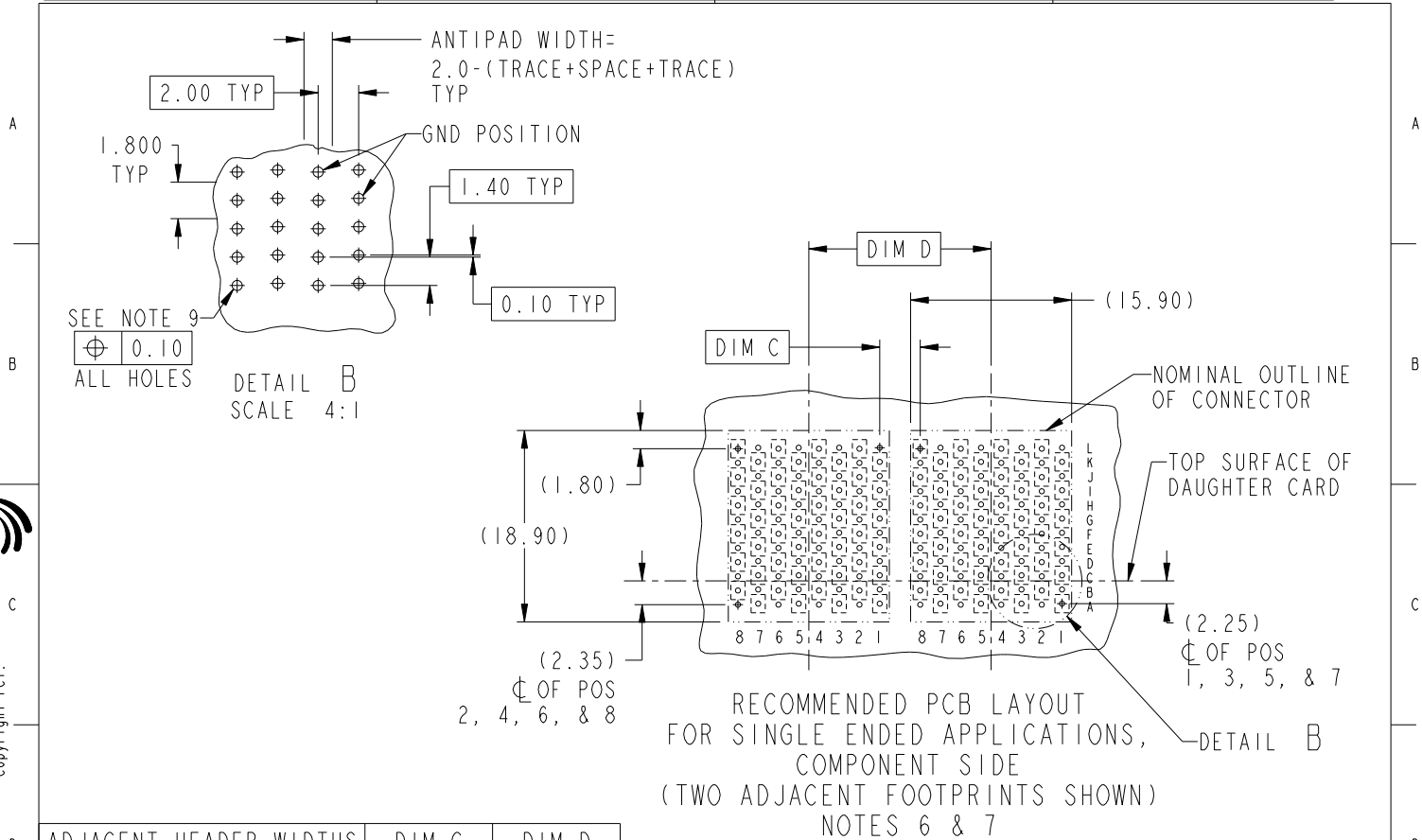
www.fciconnect.com				surface - ASME Y14.5	tolerance - ASME Y14.5	std -	projection	MM
				TOLERANCES UNLESS OTHERWISE SPECIFIED				
Dr	L.S. NGWE	2008-06-03		ANGULAR	LINEAR	0.X ±	size A4	Scale 4:1
Eng	C.H. TAN	2008-06-13		0°.XX ±		0.XXX ±	ECN	***
Chr	C.H. TAN	2008-06-13		Product family		AirMax VS	Spec ref	
Appr	JOEY NG	2008-06-13		Title		AirMax VS VERT RECPT ASSY	dag no 10084605	Rev. B
				catalog no		CUSTOMER	sheet 1 of 4	

REV F - 2006-06-13



ADJACENT HEADER WIDTHS	DIM A	DIM B
16MM/16MM	2.00	16.00
16MM/18MM	3.00	17.00
18MM/18MM	4.00	18.00

FCI	title	AirMax VS VERT RECPT ASSY	dag no	10084605	Rev.
	catalog no	PRESS-FIT, 96 POSITION, 16mm		CUSTOMER	B
				sheet 2 of 4	



ADJACENT HEADER WIDTHS	DIM C	DIM D
16MM/16MM	2.00	16.00
16MM/18MM	3.00	17.00
18MM/18MM	4.00	18.00

FCI	title	AirMax VS VERT RECPT ASSY	dag no	10084605	Rev.	B
	catalog no	PRESS-FIT, 96 POSITION, 16mm	CUSTOMER	sheet 3 of 4		

REV F - 2006-06-11

1

2

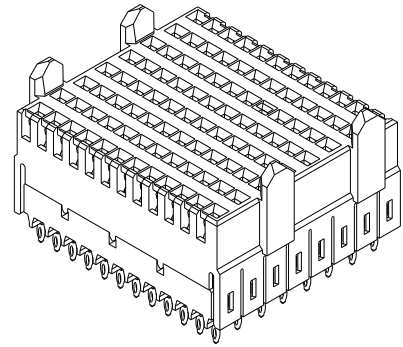
PDM: Rev:B

STATUS: Released

4 Printed: Dec 01, 2010

Copyright FCI.

PRODUCT NUMBER	PRESS-FIT TAIL PLATING TYPE
10084605-101LF	TIN OVER NICKEL (LEAD FREE)



NOTES:

1. CONNECTOR MATERIALS:
 HOUSING: HIGH TEMP THERMOPLASTIC, NATURAL, UL94V-0
 IMLA PLASTIC: HIGH TEMP THERMOPLASTIC, BLACK, UL94V-0
 CONTACT: COPPER ALLOY
2. CONTACT PLATING:
 SEPARABLE INTERFACE:
 PERFORMANCE-BASED PLATING, QUALIFIED TO MEET THE REQUIREMENTS OF FCI PRODUCT SPECIFICATION GS-12-239, INCLUDING TELCORDIA GR-1217-CORE (NOVEMBER 1995) CENTRAL OFFICE.
 PRESS-FIT TAILS: SEE TABLE
3. PRODUCT SPECIFICATION: GS-12-239
4. APPLICATION SPECIFICATION: GS-20-035
5. PRODUCT MARKING, (PART NUMBER & LOT CODE), ON THIS SURFACE
6. REFER TO CUSTOMER DRAWING 10035911 FOR INFORMATION REGARDING PCB LAYOUT OF POWER AND GUIDE MODULES RELATIVE TO SIGNAL MODULES
7. POSITION F OF ODD NUMBERED COLUMNS AND POSITION G OF EVEN NUMBERED COLUMNS CORRESPOND TO EARLY MATE HEADER PINS
8. THERE IS NO GROUND BUSSING WITHIN THE CONNECTOR SYSTEM
9. SEE CUSTOMER DRAWING 10045979 FOR INFORMATION ON PCB HOLE DIAMETER AND PLATING OPTIONS
10. THIS PRODUCT MEETS EUROPEAN UNION DIRECTIVES AND OTHER COUNTRY REGULATIONS AS DESCRIBED IN GS-22-008
11. THE HOUSING WILL WITHSTAND EXPOSURE TO 260°C PEAK TEMPERATURE FOR 40 SECONDS IN A CONVECTION, INFRA-RED OR VAPOR PHASE REFLOW OVEN
12. PACKAGING MEETS GS-14-920 LEAD FREE LABELING SPECIFICATION



Copyright FCI.

FCI	title	AirMax VS VERT RECPT ASSY	desig no	10084605	Rev.	B
	catalog no	PRESS-FIT, 96 POSITION, 16mm	-	CUSTOMER	sheet 4 of 4	

REV F - 2006-06-17