

Excellent Integrated System Limited

Stocking Distributor

Click to view price, real time Inventory, Delivery & Lifecycle Information:

[Allegro MicroSystems, LLC](#)
[A8731EEJTR-T](#)

For any questions, you can email us directly:

sales@integrated-circuit.com



[Home](#) / [Products](#) / [Part Numbers](#) / A8731

A8731 Mobile Phone Xenon Photoflash Driver with IGBT Gate Driver

Data sheet

- [Contact Allegro Marketing](#)

Features

- Primary side sense technology
- Dual-trigger option
- 3 × 3 10 pin TDFN package

Applications

- Cell phone camera modules

Description

The Allegro® A8731 Xenon photoflash charger IC is designed to meet the needs of ultra-low power, small form factor cameras, particularly camera-phones.

The charge time is adjustable by setting the charge current limit from 0.4 to 1.2 A maximum. By using primary-side voltage sensing, the need for a secondary-side resistive voltage divider is eliminated. This has the additional benefit of reducing leakage currents on the secondary side of the transformer. To extend battery life, the A8731 features very low supply current draw-typically 0.01 μA in shutdown mode and 10 μA in standby mode. The A8731 has a flash dual trigger IGBT driver.

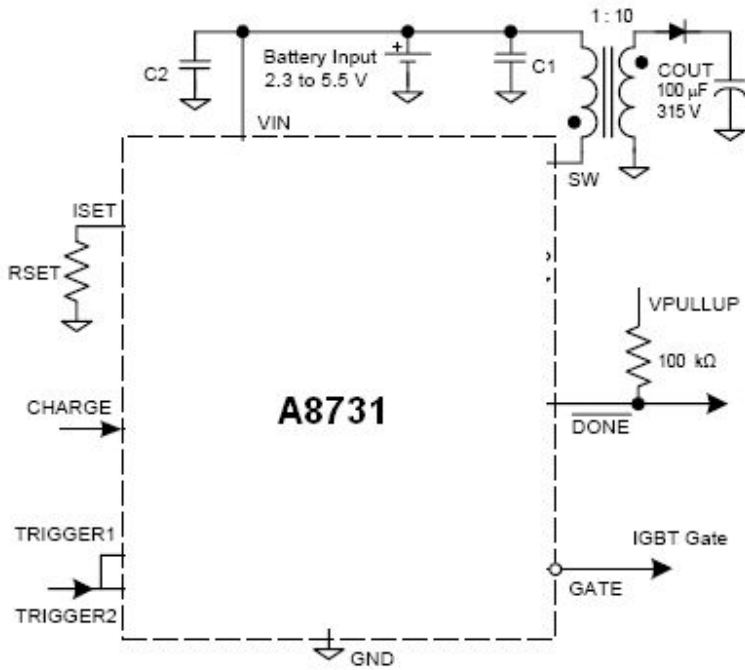
The A8731 is available in a 10-contact 3 mm × 3 mm TDFN/MLP package with a 0.75 nominal overall package height, and an exposed pad for enhanced thermal performance.

Application Circuit

Package

3 mm x 3 mm TDFN-10





Complete Part Numbers

Part Number	Package Type	RoHS Compliant	Part Composition/ RoHS Data	Temperature	Comments	Samples	Distributor Stock
A8731EEJTR-T	10-lead MLP	Yes	view data	-40 °C to 85 °C	<i>new</i>	Contact Local Sales Representative or check distributor stock	<input type="button" value="Check Stock"/>

Allegro's products are not to be used in life support devices or systems, if a failure of an Allegro product can reasonably be expected to cause the failure of that life support device or system, or to affect the safety or effectiveness of that device or system.

Copyright © 2009 Allegro MicroSystems, Inc. • 115 Northeast Cutoff, Worcester, MA 01606 USA • Phone: 1.508.853.5000 • Fax: 1.508.853.7895