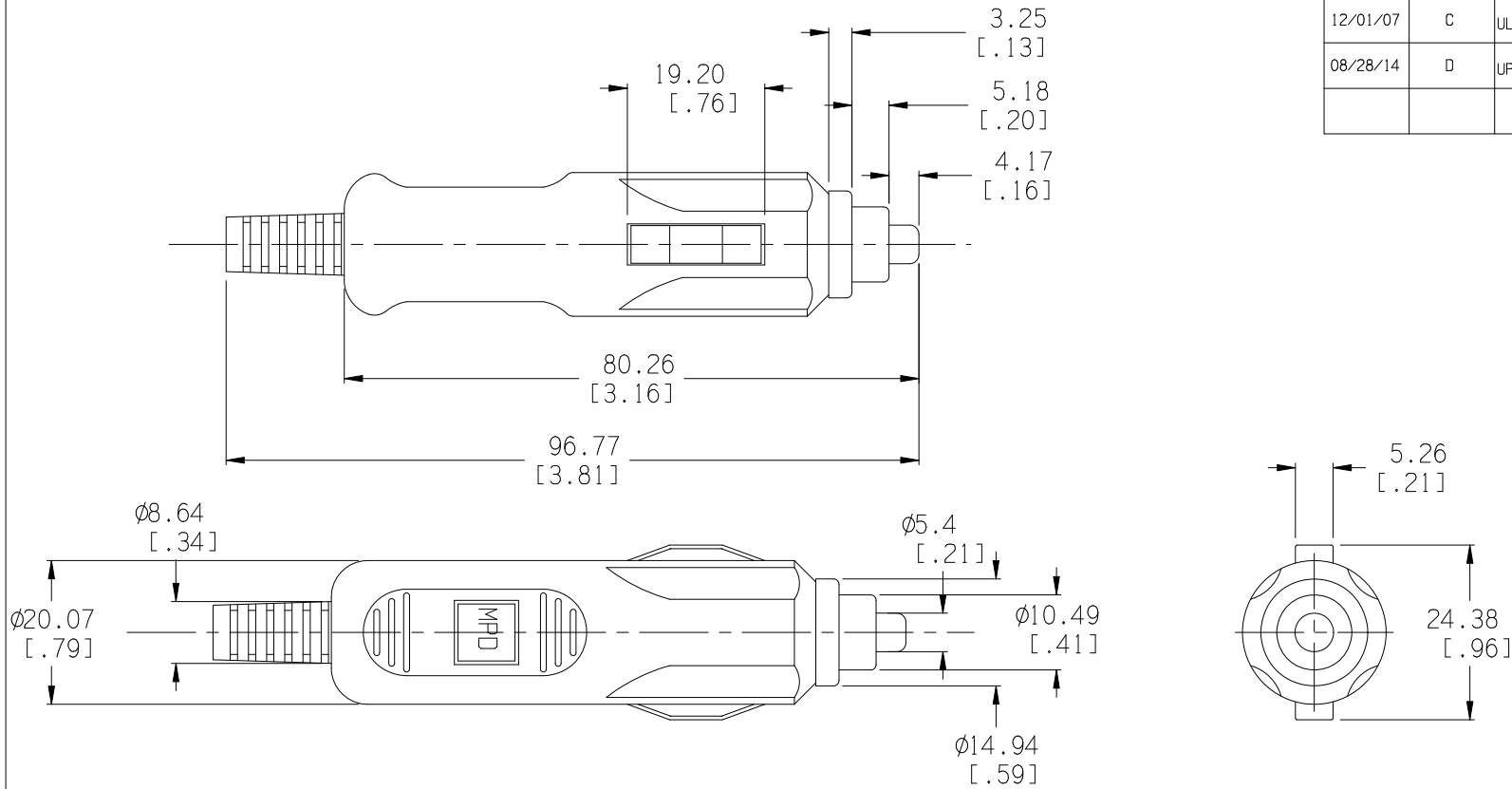



Date	SYM	REVISION RECORD	AUTH	DR.	CK.
10/22/05	A	ADDED "ROHS COMPLIANT"	T.B.	B.S.	
03/11/06	B	ADDED SPRING MATERIAL	T.B.	B.S.	
12/01/07	C	UL94V-HB WAS UL94V-0	T.B.	B.S.	
08/28/14	D	UPDATED TO ROHS 2 COMPLIANT	T.B.	B.S.	



SPECIFICATION

BODY: HIGH IMPACT ABS, UL94-HB, FILE NO. E56070(S)
 COLOR: BLACK, NO LED
 CENTER CONTACT: BRASS, NICKEL PLATED
 SLIDING CONTACTS: PHOS. BRONZE, NICKEL PLATED
 SPRING: PHOS. BRONZE WIRE
 WIRE STRAIN RELIEF: PVC
 FUSE: 250V, 3 AMP, 3AG 6.35mm x 30mm (1/4" X 1 1/4")
 RATED AT 18 HOURS, CONTINUOUS DUTY
 10 AMP'S MAX WITH CORRECT FUSE
 ROHS 2 COMPLIANT

Tolerance (Inches)	 Memory Protection Devices, Inc. 200 Broad Hollow Road, Farmingdale, New York 11735		
Decimal	$\pm .5$ (.020)	Scale	Drawn By B.S.
Fractional	$\pm .8$ (.030)	Approved By T.B.	
Angular	$\pm 3^\circ$	Date	Drawing Number
		08/28/14	APP-003
Title		CIGARETTE PLUG FOR 21 OR 22.2mm DIA. SOCKETS	