

Excellent Integrated System Limited

Stocking Distributor

Click to view price, real time Inventory, Delivery & Lifecycle Information:

[Rose Bopla](#)
[292110000](#)

For any questions, you can email us directly:

sales@integrated-circuit.com



- Polyamide hand enclosure for automation and control engineering
- Version with handle and integrated cable exit
- Large fitting space

Technical data

Material:

polyamide

front plate: polystyrol

Ingress protection:

IP 65 to EN 60529

Impact resistance:

7 Joule to EN 60079-0

Flammability:

HB / UL 94

Colour:

RAL 1021, rape yellow

Temperature range:

-40°C to +60°C

Included in delivery

Enclosure with handle, including cable gland M 20 x 1.5, front panel, enclosure and front panel screws, and wall holder

Pilot 110 - 150

Programme range

Enclosure type	Order No.	Encl. dimensions incl. handle W x L x H (mm)	Front panel dimensions W x H (mm)	Mounting depth (mm)
Pilot 110	29.21 10 00	85 x 85 x 191	77 x 77	63,5
Pilot 120	29.21 20 00	115 x 85 x 191	107 x 77	63,5
Pilot 130	29.21 30 00	85 x 85 x 221	77 x 107	63,5
Pilot 140	29.21 40 00	160 x 85 x 211	152 x 97	63,5
Pilot 150	29.21 50 00	105 x 85 x 266	97 x 152	63,5

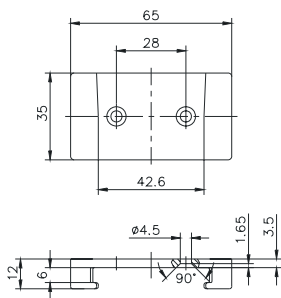
Accessories

Magnetic holder (for Pilot 120 - 150)	29.00 00 80
Push button and switches see page 53 - 58	on request



Electromechanical components

On request, we can supply equipment fitted with electro-mechanical components such as emergency stop button, acknowledge keys, hand wheel, switches, display



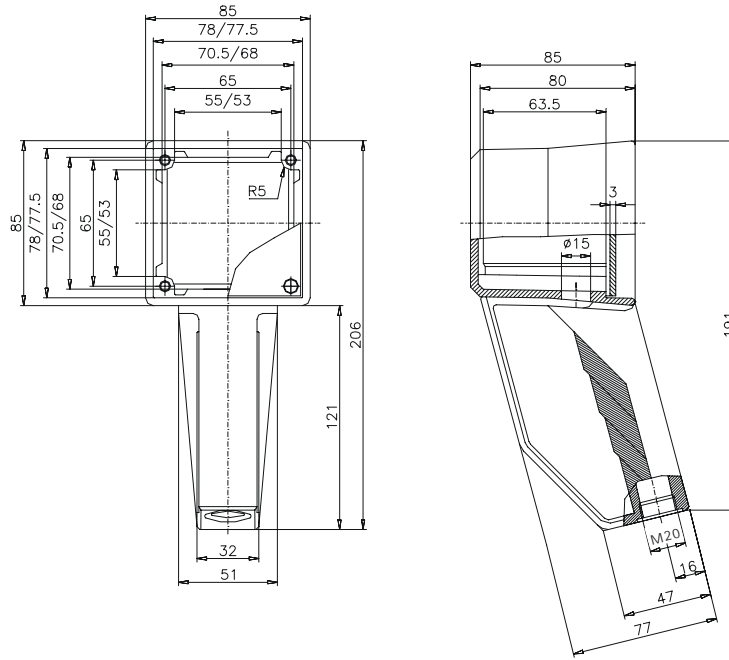
Wall holder
 included in delivery

Pilot 110 - 150

Dimensions

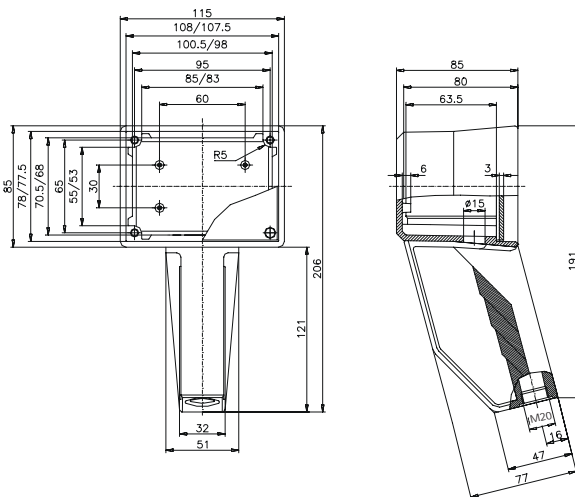


Type	Order No.	Weight (kg)
Pilot 110	29.21 10 00	0.500

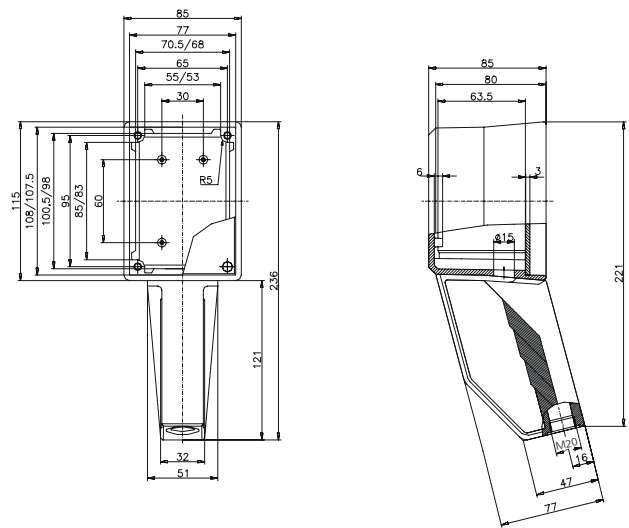


Type	Order No.	Weight (kg)
Pilot 120	29.21 20 00	0.500
Pilot 130	29.21 30 00	0.500

Pilot 120



Pilot 130



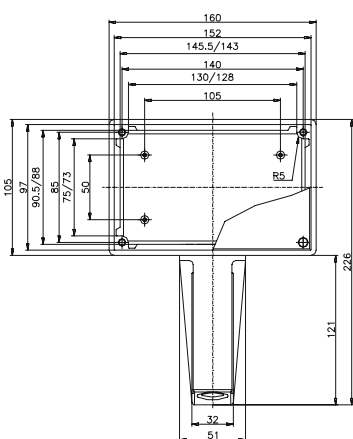
Pilot 110 - 150

Dimensions

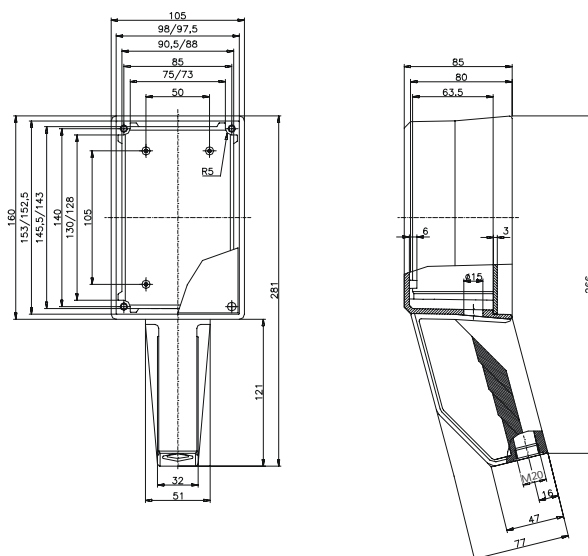


Type	Order No.	Weight (kg)
Pilot 140	29.21 40 00	0.780
Pilot 150	29.21 50 00	0.780

Pilot 140



Pilot 150



Accessories



Magnetic holder
 for Pilot 120 - 150, self-adhesive
 dimensions: 90 x 30 x 7.5 mm

Order No. **29. 00 00 80**