

Excellent Integrated System Limited

Stocking Distributor

Click to view price, real time Inventory, Delivery & Lifecycle Information:

[Phoenix Contact](#)
[2917463](#)

For any questions, you can email us directly:
sales@integrated-circuit.com

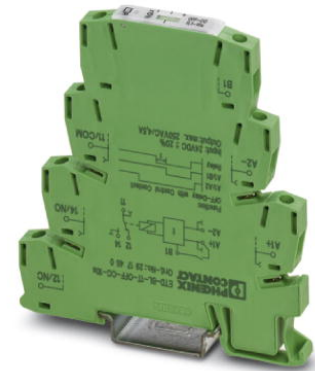


Extract from the online catalog

ETD-BL-1T-OFF-CC-300S

Order No.: 2917463

The figure shows the ETD-BL-1T-OFF-CC- 10S 2917450 version



<http://eshop.phoenixcontact.de/phoenix/treeViewClick.do?UID=2917463>

Timer relay with off delay (with control contact) and an adjustable time range (3 s - 300 s), with screw connection

Commercial data	
EAN	4046356367776
Pack	1 pcs.
Customs tariff	85364900
Weight/Piece	0.0509 KG
Catalog page information	Page 661 (IF-2009)

Product notes

WEEE/RoHS-compliant since:
12/03/2008



<http://www.download.phoenixcontact.com>
 Please note that the data given here has been taken from the online catalog. For comprehensive information and data, please refer to the user documentation. The General Terms and Conditions of Use apply to Internet downloads.

Product description

Compact time relay in the 6.2 mm housing in order to control time sequences.

The time is set on the front side using a labeled knurled wheel which is sunk in order to prevent unintentional adjustment. The time can be set using a screwdriver (blade width 2.5 mm).

The compact time relays are available with varied time ranges as well as with screw and spring-cage connections.

ETD-BL-1T-OFF-CC-300S Order No.: 2917463
<http://eshop.phoenixcontact.de/phoenix/treeViewClick.do?UID=2917463>

Technical data	
Coil side	
Input voltage range	24 V DC (19,2 V DC ...30 V DC)
Function	OFF-CC: Off delay with control contact
Time setting range	3 s ... 300 s
Contact side	
Contact type	1 floating PDT
Output fuse	6.3 A (fast-blow)
General data	
Width	6.2 mm
Height	86 mm
Depth	80 mm
Status display	LED green (POWER) Yellow LED (relay active)
Service life mechanical	Approx. 2×10^7 cycles
Ambient temperature (operation)	-20 °C ... 65 °C
Ambient temperature (storage/transport)	-25 °C ... 80 °C
Mounting position	Any
Assembly instructions	on TS 35 profile rail acc. to EN 60715
Color	green
Housing insulation material	Polyamide PA, self-extinguishing
Permissible humidity (operation)	15 % ... 85 %
Rated insulation voltage	300 V AC (According to EN 50178)
Conformity	CE compliant
ATEX	Ex II 3 G Ex nAC II T4 X
Connection data	
Conductor cross section stranded min.	0.14 mm ²
Conductor cross section stranded max.	2.5 mm ²
Conductor cross section solid min.	0.14 mm ²
Conductor cross section solid max.	2.5 mm ²
Stripping length	10 mm
Type of connection	Screw connection

ETD-BL-1T-OFF-CC-300S Order No.: 2917463

<http://eshop.phoenixcontact.de/phoenix/treeViewClick.do?UID=2917463>

Control contact

Control pulse length	min. 50 ms
----------------------	------------

Certificates / Approvals

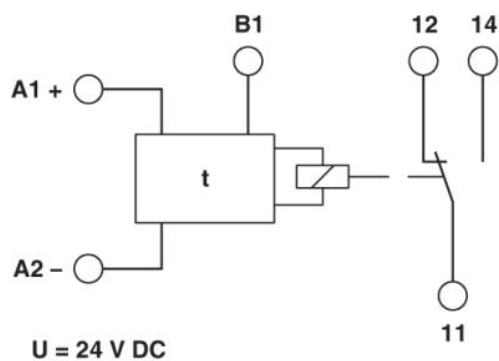


Certification

GL

Diagrams/Drawings

Block diagram



ETD-BL-1T-OFF-CC-300S Order No.: 2917463

<http://eshop.phoenixcontact.de/phoenix/treeViewClick.do?UID=2917463>

Address

PHOENIX CONTACT Deutschland GmbH
Flachsmarktstr. 8
32825 Blomberg, Germany
Phone +49 5235 3 12000
Fax +49 5235 3 41200
<http://www.phoenixcontact.de>



© 2010 Phoenix Contact
Technical modifications reserved;