



Distributor of ASSMANN WSW Components: Excellent Integrated System Limited
Datasheet of AU-Y1008-2-R - Connector Receptacle USB TypeA, Stacked 2.0 8 Position
Through Hole, Right Angle, Horizontal

Contact us: sales@integrated-circuit.com Website: www.integrated-circuit.com

Excellent Integrated System Limited

Stocking Distributor

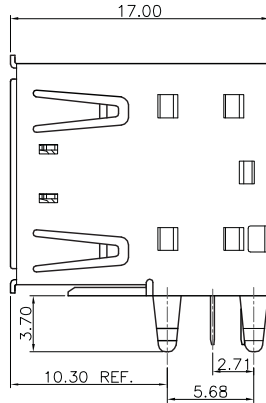
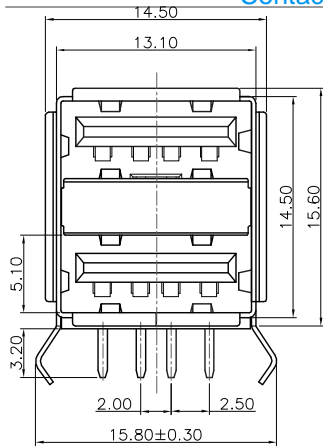
Click to view price, real time Inventory, Delivery & Lifecycle Information:

[ASSMANN WSW Components](#)
[AU-Y1008-2-R](#)

For any questions, you can email us directly:

sales@integrated-circuit.com

Contact us: sales@integrated-circuit.com Website: www.integrated-circuit.com



Material:

- Contacts: Brass
- Insulator: PBT+30% G.F. UL94V-0, White
- Shell: Brass

Electrical:

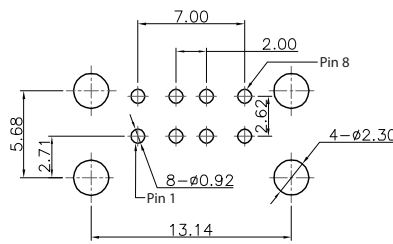
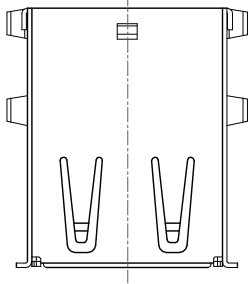
- Current-max[amps]: 1.0A
- Voltage-max[volts]: 30V
- Withstanding Voltage: 750V AC
- Conductor resistance: 30MΩ Max.
- Insulation Resistance: 1,000MΩ Min.
- Hi-Pot test: DC 300V

Plating:

- Contacts: Gold plated
- Shell: Nickel plated

Environmental:

- Soldering Temperature: 223.3°C Max.



Recommended PCB Layout

Unit: mm



Scale	Free					Date	Name	Title
TOLERANCE						Drawn	23.05.12	Miller
X.	±X					Approved	23.05.12	Warner
X.X	±0.25							ASSMANN WSW-No.
X.XX	±X							AU-Y1008-2-R
DIM	TOL							Drawing-No.
X.°	±X°							rev01
X.X°	±X°	①	Drawing modification	07.12.12	Wilson			Replace
Angle	TOL	Id.	Modification	Date	Name			Sheet
						<small>1840 W. Drake Drive, Suite 101 • Tempe, AZ 85283 Toll Free: 1-877-277-6266 • Email: info@assmann.us</small>		1/1

1

2

3

4

5

6

7