

Excellent Integrated System Limited

Stocking Distributor

Click to view price, real time Inventory, Delivery & Lifecycle Information:

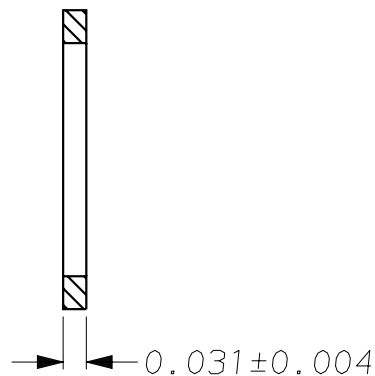
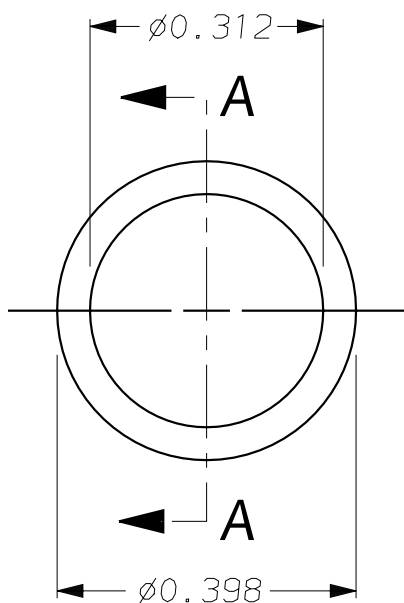
[C&K Components](#)
[795500000](#)

For any questions, you can email us directly:

sales@integrated-circuit.com

COMPONENTS, INC.

ALL DIMS. AND TOLS. PER ANSI Y14.5	NAME	PL/FB	DATE	3/6/73	7955 SHT. OF	REV	B
	SCALE	4:1	APPR.			OF	
TOLERANCES		UNLESS OTHERWISE SPECIFIED DIMENSIONS ARE IN INCHES		<h2>CKW PANEL SEAL</h2> <h3>OPTION</h3>			
DECIMAL	ANGLE	THIS DOCUMENT AND THE INFORMATION IN IT IS THE EXCLUSIVE PROPERTY OF C&K COMPONENTS, INC., AND IS NOT TO BE USED OR DISCLOSED WITHOUT THE EXPRESS WRITTEN PERMISSION OF C&K COMPONENTS, INC.					
.XX±	.XXX± .005 ±						
<input checked="" type="checkbox"/> CRITICAL - MUST COMPLY WITH C&K QUALIFICATION STD. CKQI0019 <input type="checkbox"/> MAJOR DIMENSION							



SECTION A-A

CAD FILE NO.: 7955

NOTES:

1. MATERIAL: BUNA-N, DUROMETER 65
2. UNLESS OTHERWISE SPECIFIED:
 - a. MOLDING FLASH NOT TO EXCEED 0.005 MAX.
CIRC. BY 0.003 MAX. RADIAL.
3. PARTS MUST BE CLEAN AND DRY.
4. SILICONE-BASED MOLD RELEASE OR ADDITIVES ARE NOT PERMITTED.
5. C&K PRODUCT ENGINEERING APPROVAL MUST BE OBTAINED PRIOR TO ANY MODIFICATIONS TO EXISTING EJECTOR PINS, PARTING LINE, GATE AND CAVITY ID LOCATIONS.
- Ⓟ 6. REV 'B' CREATED PER TOOLING TRANSFER PROCEDURE FOR TOOL RE-LOCATION AND TRACEABILITY.
- Ⓟ 7. THIS PART MUST BE RoHS COMPLIANT AND MEET ALL REQUIREMENTS OF RoHS DIRECTIVE 2002/95/EC.

ECN	SYM	DESCRIPTION	DATE	ECN	SYM	DESCRIPTION	DATE
6460	A	REDRAWN ON CAD, REVISED NOTES, DELETED C&K SPEC 401 DESCRIPTION	3/21/94 FB				
ECO# 0005512	B	ADDED NOTES 6 & 7	9/1/09 CAB				

7955

SHT. OF

REV
B