

Excellent Integrated System Limited

Stocking Distributor

Click to view price, real time Inventory, Delivery & Lifecycle Information:

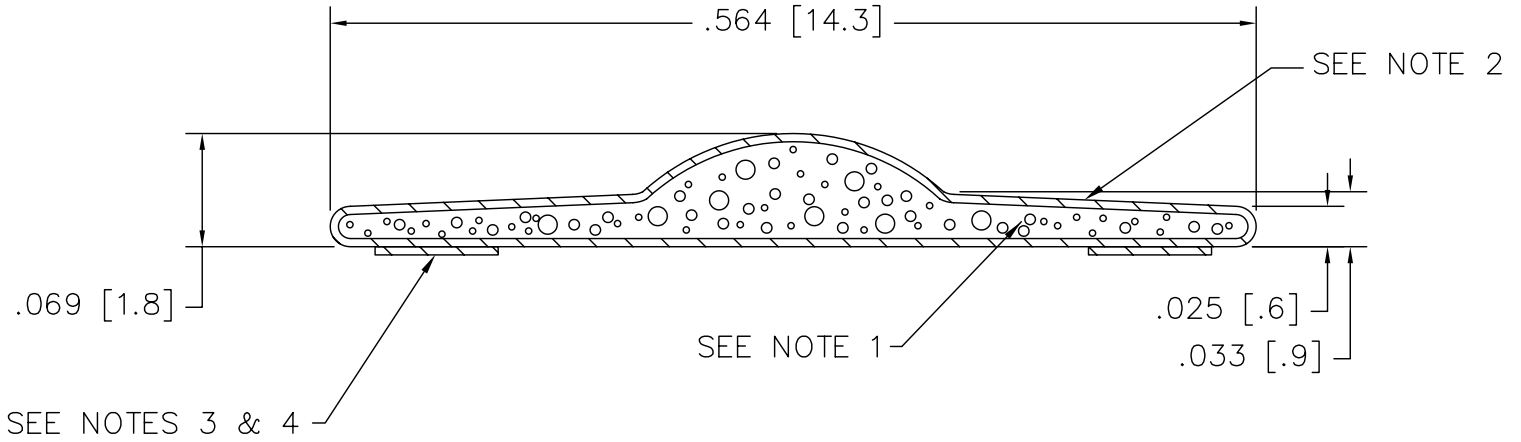
[Laird Technologies EMI](#)
[4379PA51H01800](#)

For any questions, you can email us directly:

sales@integrated-circuit.com

CONFIDENTIAL & PROPRIETARY

THIS INFORMATION IS CONFIDENTIAL AND PROPRIETARY TO LAIRD TECHNOLOGIES. IT MAY NOT BE DISCLOSED TO ANYONE, OTHER THAN LAIRD TECHNOLOGIES PERSONNEL, WITHOUT WRITTEN AUTHORIZATION FROM LAIRD TECHNOLOGIES.



- NOTES:
1. FOAM: POLYURETHANE
 2. FABRIC: NICKEL PET-TAF FR Ecogreen
 3. TAPE: .075" TAPE HI-TEMP X 2
 4. LINER: NO EXTENDED RELEASE LINER
 5. FABRIC SEAM LOCATION MAY VARY.
 6. CARRIER: NO CARRIER
 7. THIS PART IS RoHS COMPLIANT

REVISIONS:	TITLE:	DRAWN	DATE	SCALE:	DIMENSIONS ARE IN INCHES. UNLESS OTHERWISE SPECIFIED, TOLERANCES ARE AS FOLLOWS: DECIMALS: LENGTH .XX ± .03 0" - 6" ± .030" .XXX ± .020 6" - 11" ± .050" ANGLES 11° - 48° ± .100° 48° - 70° ± .187° 70° - 144° ± .250"
	SHIELDING GASKET	GIBILTERRA	10/01/07	1/1	
	Dwg. or Part No.	CHECKED BY:	DATE		
	4379-PA-51H	FJG	10/01/07		
	REV.	RELEASED BY:	DATE		
	0	FJG	10/01/07		

