

## **Excellent Integrated System Limited**

Stocking Distributor

Click to view price, real time Inventory, Delivery & Lifecycle Information:

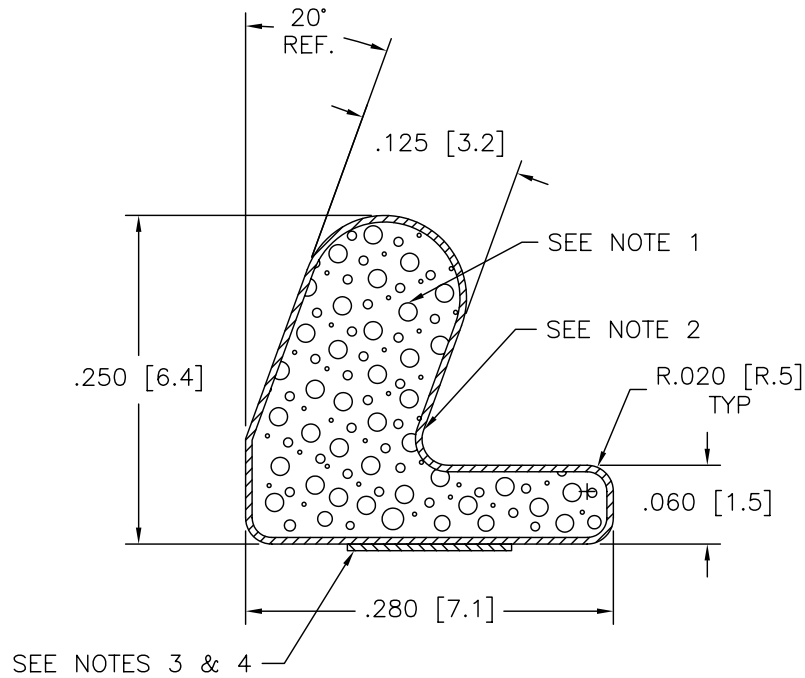
[Laird Technologies EMI](#)  
[4593PAH1K01800](#)

For any questions, you can email us directly:

[sales@integrated-circuit.com](mailto:sales@integrated-circuit.com)

CONFIDENTIAL & PROPRIETARY

THIS INFORMATION IS CONFIDENTIAL AND PROPRIETARY TO LAIRD TECHNOLOGIES. IT MAY NOT BE DISCLOSED TO ANYONE OTHER THAN LAIRD TECHNOLOGIES PERSONNEL WITHOUT WRITTEN AUTHORIZATION FROM LAIRD TECHNOLOGIES.



NOTES:

1. FOAM: POLYURETHANE
2. FABRIC: NICKEL NRS FR
3. TAPE: 0.125" TAPE HI-TEMP
4. LINER: NO EXTEND RELEASE LINER.
5. CARRIER: NO CARRIER.
6. THIS PART IS RoHS COMPLIANT.

REVISIONS:	TITLE:	DRAWN	DATE	SCALE:	DIMENSIONS ARE IN INCHES. UNLESS OTHERWISE SPECIFIED, TOLERANCES ARE AS FOLLOWS: DECIMALS      LENGTH .XX ± .03      0" - 6" ± .030" .XXX ± .020      6" - 11" ± .050" ANGLES      11° - 48° ± .100" 48° - 70° ± .157" ± 1/2°      70° - 144° ± .250"
	SHIELDING GASKET	GIBILTERRA	10/02/07	1/1	
	Dwg. or Part No.	CHECKED BY:	DATE		
	4593-PA-H1K	FJG	10/02/07		
	REV.	RELEASED BY:	DATE		
	0	FJG	10/02/07		

