

Excellent Integrated System Limited

Stocking Distributor

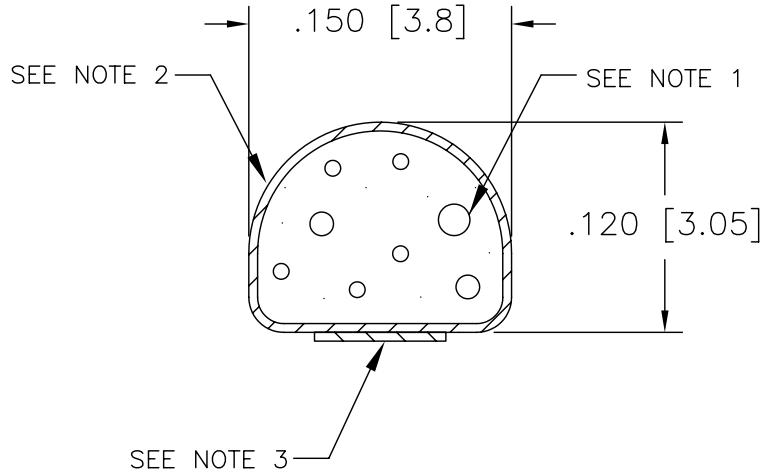
Click to view price, real time Inventory, Delivery & Lifecycle Information:

[Laird Technologies EMI](#)
[4742PA51H01800](#)

For any questions, you can email us directly:
sales@integrated-circuit.com

CONFIDENTIAL & PROPRIETARY

THIS INFORMATION IS CONFIDENTIAL AND PROPRIETARY TO LAIRD TECHNOLOGIES. IT MAY NOT BE DISCLOSED TO ANYONE OTHER THAN LAIRD TECHNOLOGIES PERSONNEL WITHOUT WRITTEN AUTHORIZATION FROM LAIRD TECHNOLOGIES.



NOTES:

1. FOAM: POLYURETHANE
2. FABRIC: NICKEL PET TAF FR Ecogreen
3. TAPE: .075" TAPE HI-TEMP
4. LINER: NO EXTENDED RELEASE LINER
5. FABRIC SEAM LOCATION MAY VARY.
6. THIS PART IS RoHS COMPLIANT.

REVISIONS:	TITLE:	DRAWN	DATE	SCALE:	DIMENSIONS ARE IN INCHES. UNLESS OTHERWISE SPECIFIED, TOLERANCES ARE AS FOLLOWS: <small> DECIMALS LENGTH .XX ± .03 0" - 6" ± .030" .XXX ± .020 6" - 11" ± .050" ANGLES 11" - 48" ± .100" 48" - 70" ± .150" 70" - 144" ± .250" ± 1/2" </small>
	SHIELDING GASKET	GIBILTERRA	10/01/07	1/1	
	Dwg. or Part No.	CHECKED BY:	DATE		
	4742-PA-51H	FJG	10/01/07		
	REV.	RELEASED BY:	DATE		
	0	FJG	10/01/07		

