

## Excellent Integrated System Limited

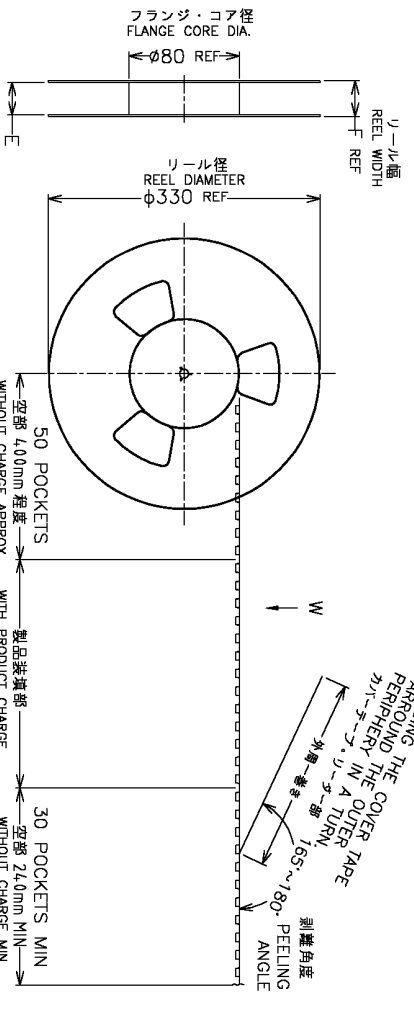
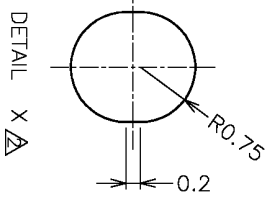
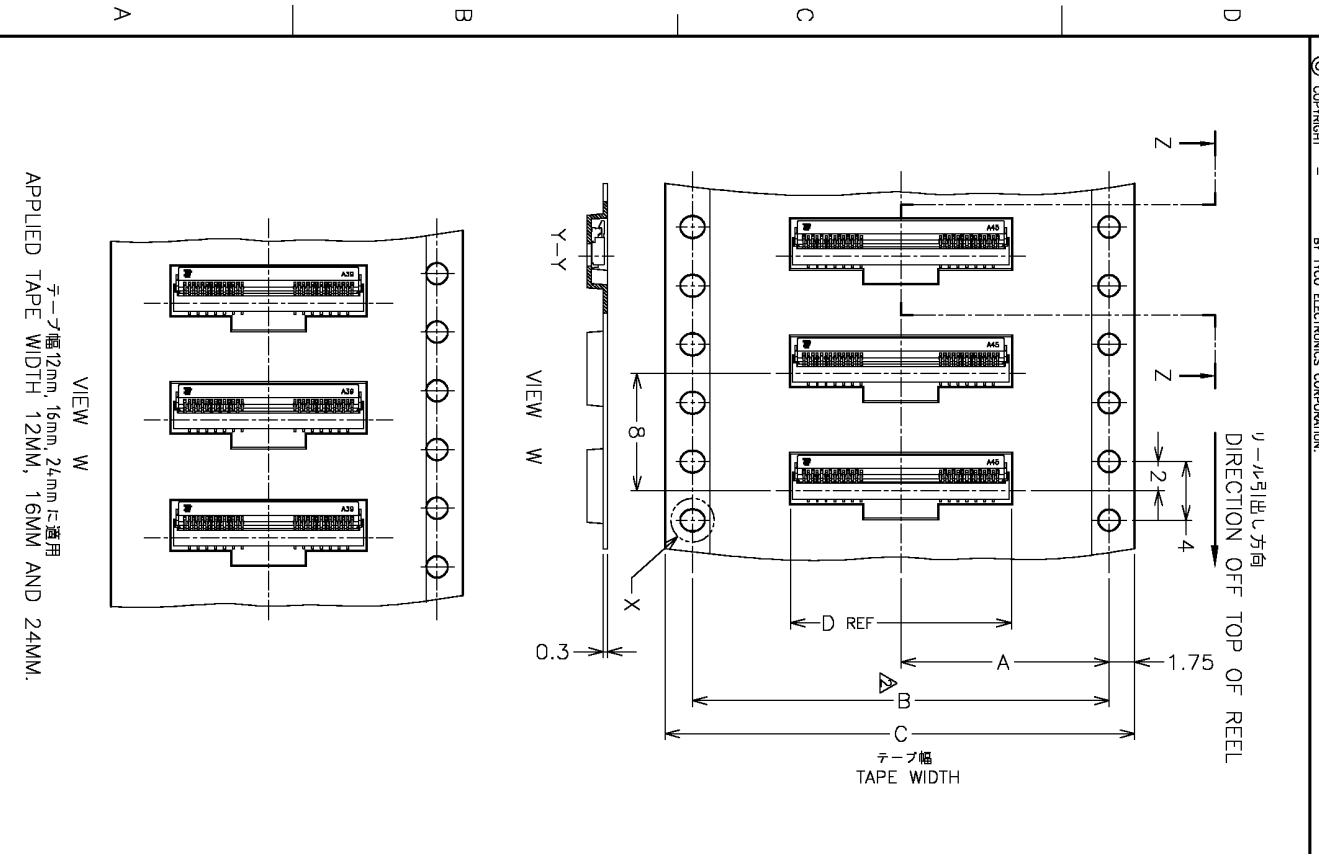
Stocking Distributor

Click to view price, real time Inventory, Delivery & Lifecycle Information:

[TE Connectivity AMP Connectors](#)  
[1827827-8](#)

For any questions, you can email us directly:

[sales@integrated-circuit.com](mailto:sales@integrated-circuit.com)



△ 一般公差  
10以下: ±0.2  
10を越え 30以下: ±0.25  
30を越え 100以下: ±0.3  
角 度: ±3°

△ 寸法及び“X”詳細図は、  
テープ幅32mm以上に適用

△ GENERAL TOLERANCE  
10<: ±0.2  
30 > 10: ±0.25  
100 > 30: ±0.3  
ANGLES: ±3°

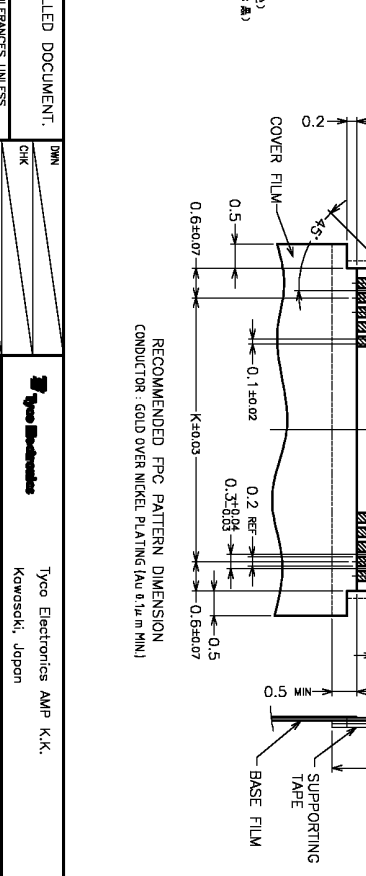
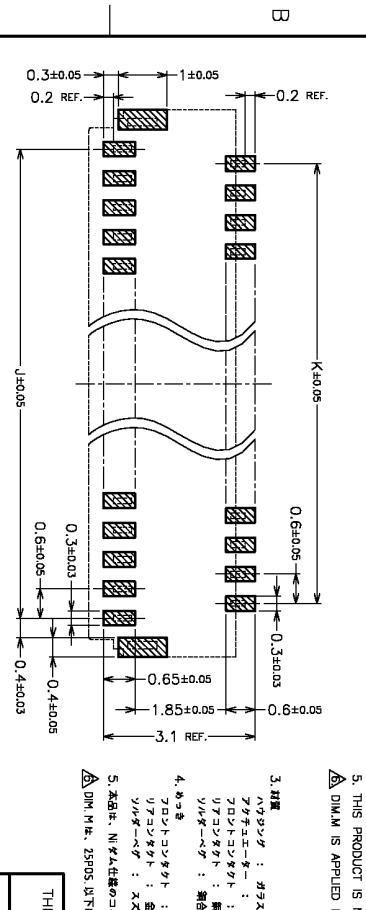
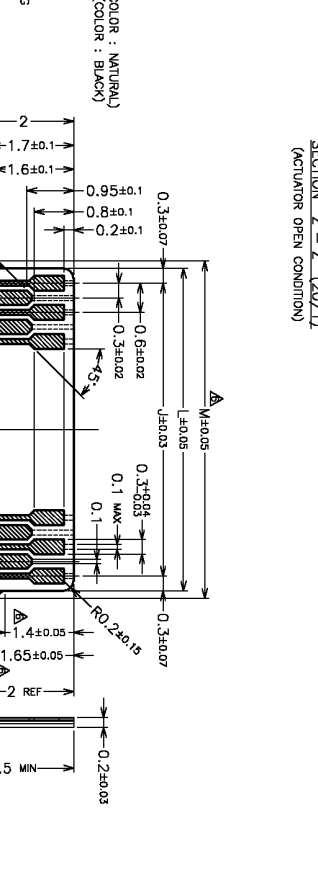
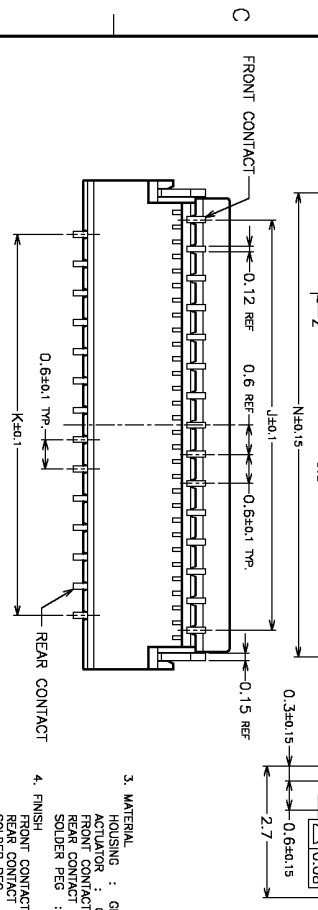
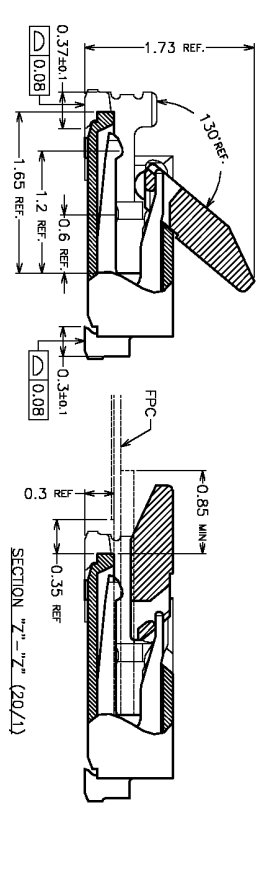
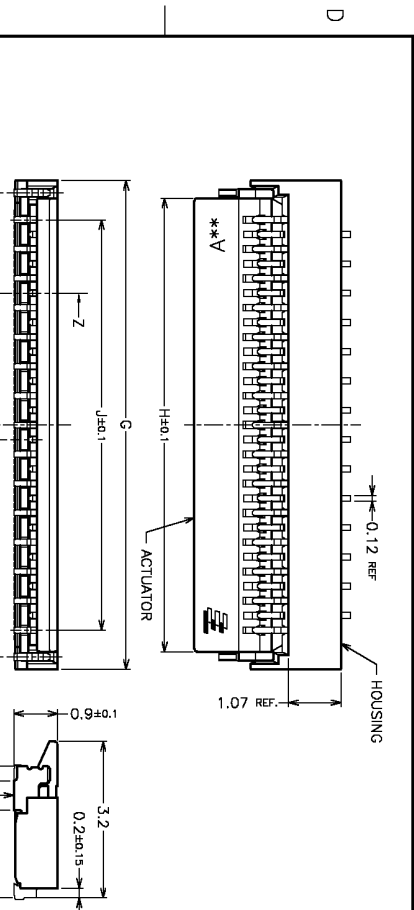
△ DIM. B AND DETAIL “X” APPLIED  
TAPE WIDE, 32mm MORE.

THIS DRAWING IS A CONTROLLED DOCUMENT.

DMN Y.KODAIRA	7AU037	NAME <b>Tyco Electronics</b> Tyco Electronics AMP K.K. Kawasaki, Japan
CHK T.KUSUHARA	7AU037	SIZE 0.3FPC Narrow FF-L
APPD T.KUSUHARA	7AU037	QAGE CODE A3 00779
PRODUCT SPEC 108-78351		DRAWING NO 1827827
APPLICATION SPEC		SCALE NTS
FINISH 0 PLC 1 PLC 2 PLC 3 PLC 4 PLC		SHEET 1 of 2
TOLERANCES UNLESS OTHERWISE SPECIFIED:		REV C
RESTRICTED TO		

STATUS	CONNECTOR WEIGHT	F	E	D	C	B	A	数量 (ヶ)	EMBOSS TAPE PACKAGING PART NUMBER
AVAILABLE	0.066g	30.4	25.5	15.05	24	—	—	4000	1-1827827-8
AVAILABLE	0.058g	30.4	25.5	13.25	24	—	—	4000	1-1827827-5
AVAILABLE	0.039g	23.5	17.5	9.05	16	—	—	4000	1827827-8
AVAILABLE	0.025g	23.5	17.5	6.05	16	—	—	4000	1827827-3

AMP 1470-19 REV 31MAR2000



RECOMMENDED PCB PATTERN DIMENSION

14.3	13.8	12.6	13.2	14.08	14.8	45	1-1827827-8
12.5	12.0	10.8	11.4	12.28	13.0	39	1-1827827-5
8.3	8.1	7.8	6.6	8.08	8.8	25	1827827-8
5.3	5.1	4.8	3.6	5.08	5.8	15	1827827-3
N	ΔM	L	K	J	H	G	CONN. PART NO

THIS DRAWING IS A CONTROLLED DOCUMENT.

DIMENSIONS:	TOLERANCES UNLESS OTHERWISE SPECIFIED:
0 P/C	±0.3
1 P/C	±0.3
2 P/C	±0.3
3 P/C	±0.3
4 P/C	±0.3
ANGLES	±3°

CUSTOMER DRAWING

NAME	0.3FPC Narrow FF-L
PRODUCT SPEC	0.9mmH, 3.2mmW, GOLD PLATE
SIZE	A3
CAGE CODE	00779
DRAWING NO	1827827
SCALE	10:1
SHEET	2 OF 2
REV	C

AP 1470-19 REV 31MAR2000

TE Connectivity  
 Tyco Electronics AMP K.K.  
 Kawasaki, Japan

REVISIONS

LOC	DI	DESCRIPTION	DATE	DM	APD
J	P	SEE SHEET 1			