

Excellent Integrated System Limited

Stocking Distributor

Click to view price, real time Inventory, Delivery & Lifecycle Information:

[Phoenix Contact](#)
[1521504](#)

For any questions, you can email us directly:

sales@integrated-circuit.com



Extract from the online catalog

SACC-MINMR-5CON-PG 9

Order No.: 1521504



<http://eshop.phoenixcontact.de/phoenix/treeViewClick.do?UID=1521504>

Sensor/actuator connector, male, angled, 5-pos., 7/8", screw connection, metal knurl, cable screw connection Pg9

Commercial data	
EAN	4017918949723
Pack	1 pcs.
Customs tariff	85369010
Weight/Piece	0.0578 KG
Catalog page information	Page 53 (PC-2009)

Product notes

WEEE/RoHS-compliant since:
03/22/2006



<http://www.download.phoenixcontact.com>
Please note that the data given here has been taken from the online catalog. For comprehensive information and data, please refer to the user documentation. The General Terms and Conditions of Use apply to Internet downloads.

Technical data

General data	
Nominal current I_N	9 A
Nominal voltage U_N	250 V
Number of positions	5
Volume resistance	$\leq 5 \text{ m}\Omega$
Insulation resistance	$\geq 100 \text{ M}\Omega$

SACC-MINMR-5CON-PG 9 Order No.: 1521504

<http://eshop.phoenixcontact.de/phoenix/treeViewClick.do?UID=1521504>

General characteristics

Coding	A - standard
Surge voltage category	II
Pollution degree	3
Degree of protection	IP67
Contact material	CuZn
Contact surface material	Au
Contact carrier material	PUR / PA66
Material of grip body	PBT
Material, knurls	Anodized aluminum
Type of connection	Screw connection
Conductor cross section stranded min.	0.34 mm ²
Conductor cross section stranded max.	1.5 mm ²
Conductor cross section AWG/kcmil min.	22
Conductor cross section AWG/kcmil max	16
Min. diameter	6 mm
Max. diameter	8 mm
Status display	No

Certificates / Approvals

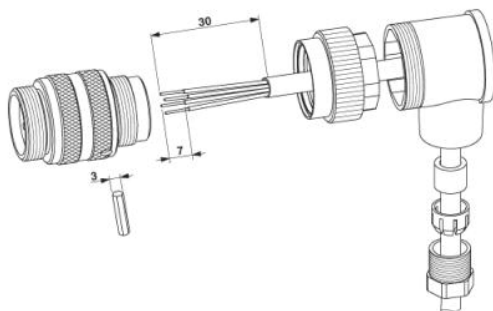


Certification

CUL, UL

Diagrams/Drawings

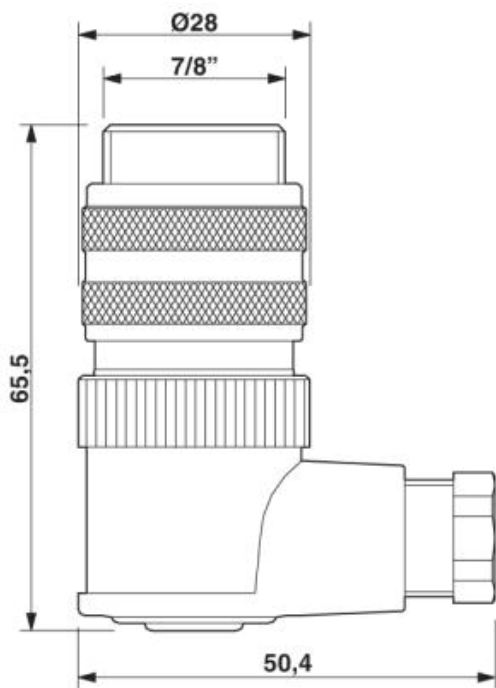
Functional drawing



SACC-MINMR-5CON-PG 9 Order No.: 1521504

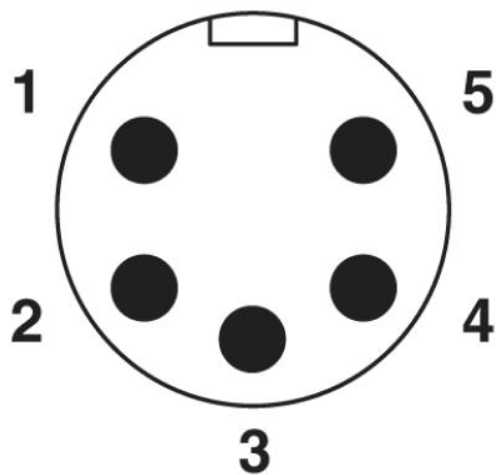
<http://eshop.phoenixcontact.de/phoenix/treeViewClick.do?UID=1521504>

Dimensioned drawing



Male 7/8"-16UNF, angled, Pg9

Schematic diagram



Pin assignment, plug, 7/8"-16UNF, 5-pos., view of male side

SACC-MINMR-5CON-PG 9 Order No.: 1521504

<http://eshop.phoenixcontact.de/phoenix/treeViewClick.do?UID=1521504>

Address

PHOENIX CONTACT Deutschland GmbH
Flachsmarktstr. 8
32825 Blomberg, Germany
Phone +49 5235 3 12000
Fax +49 5235 3 41200
<http://www.phoenixcontact.de>



© 2010 Phoenix Contact
Technical modifications reserved;