

Excellent Integrated System Limited

Stocking Distributor

Click to view price, real time Inventory, Delivery & Lifecycle Information:

[ASSMANN WSW Components](#)
[A-2004-2-4-LP/S-R](#)

For any questions, you can email us directly:
sales@integrated-circuit.com

1 2 3 4 5 6 7

A

B

C

D

E

F

A

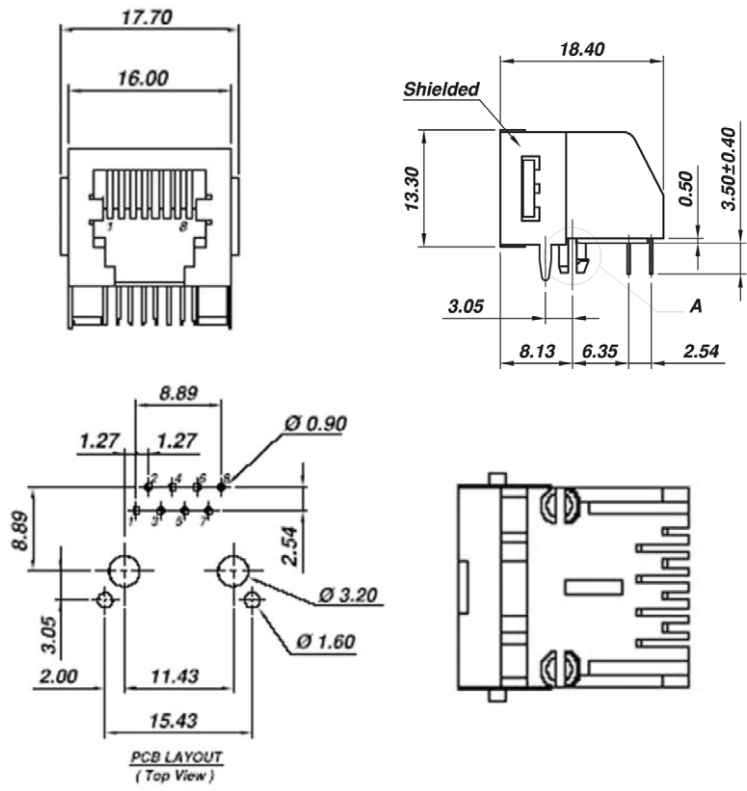
B

C

D

E

F



Materials:

- Insulator: P.B.T. Glass Filled, UL94V-0
- Soldering Temperature: 235°C
- Spring Wire: 0.35MM Thickness Phosphor Bronze Gold Plating over Nickel
- Color: Black

Electrical:

- Insulation Resistance: 500MΩ Min.
- Contact Resistance: 20MΩ Max.
- Rating Current: 1.5A Max.
- Rating Voltage: 120V AC
- Dielectric Withstanding: 1,000V AC at 1 Minute
- Operating Temperature: -40°C ~ +85°C
- Durability: 500 Mating cycles Min.

Unit: MM



Scale	1:1					Name	Item No.
TOLERANCE					Drawn	12.21.11	A-2004-2-4-LP/S-R
X.X	±0.40				Approved		
X.XX	±0.25						Title Very Low Profile PCB Jack - RJ45, 90°, Shielded, Side Entry, 6μ"
X.XXX	±0.15						Drawing No.
Angle	±3°						rev00
							Replace
							Sheet



1 2 3 4 5 6 7

H

H