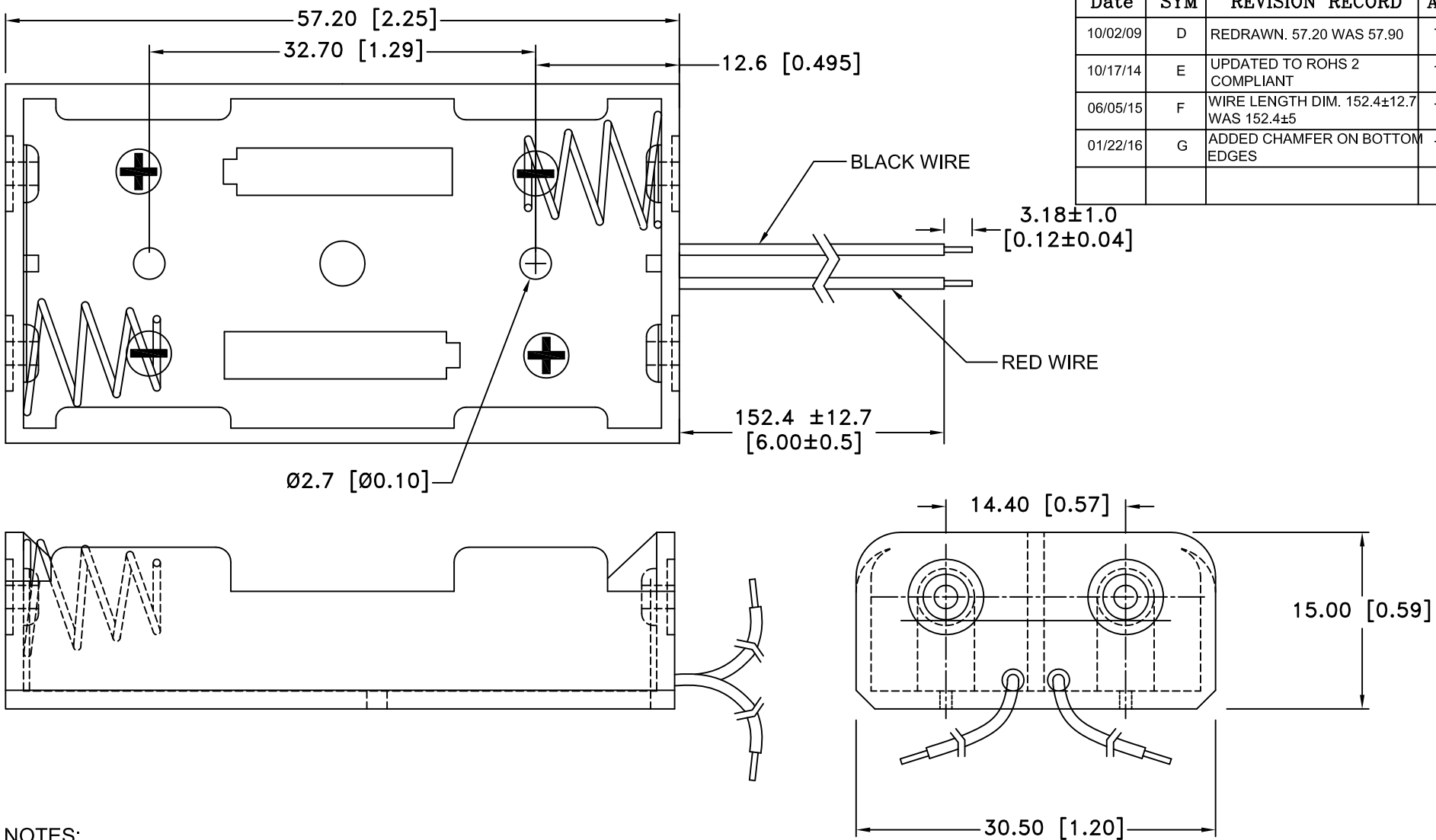


Date	SYM	REVISION RECORD	AUTH	DR.	CK.
10/02/09	D	REDRAWN. 57.20 WAS 57.90	T.B.	B.S.	
10/17/14	E	UPDATED TO ROHS 2 COMPLIANT	T.B.	B.S.	
06/05/15	F	WIRE LENGTH DIM. 152.4±12.7 WAS 152.4±5	T.B.	B.S.	
01/22/16	G	ADDED CHAMFER ON BOTTOM EDGES	T.B.	B.S.	




NOTES:

1. MATERIAL:

- HOUSING : BLACK POLYPROPYLENE
- FLAMMABILITY RATING -UL94-HB, UL FILE NO. E216959
- TEMPERATURE RANGE: -10°C to +100°C
- RIVETS: BRASS, NICKEL PLATED.
- SPRING: SPRING STEEL, NICKEL PLATED.
- WIRE: 26 AWG, UL1007, CSA, TR64, 300V, 80°C
- CONTACT RESISTANCE: UNDER 50mΩ FOR +/- CONTACTS PER EIA-540J000

ROHS 2 COMPLIANT

Tolerance (Except as noted)	 <b>Memory Protection Devices, Inc</b> 200 Broad Hollow Road, Farmingdale, New York 11735		
	decimal ±.5 (.020)	Scale	Drawn By B.S. Approved By T.B.
Fractional ± .8 (.030)	Title TWO "AA" CELL HOLDER WITH WIRE LEADS		
Angular ± 3°	Date 01/22/16	Drawing Number BC2AAW	