

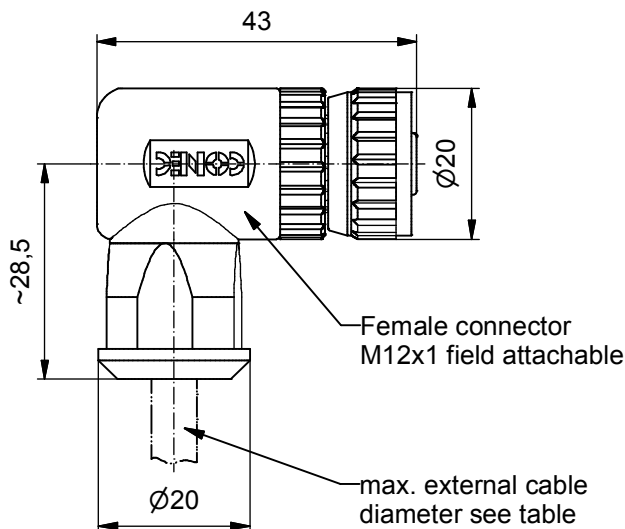
Excellent Integrated System Limited

Stocking Distributor

Click to view price, real time Inventory, Delivery & Lifecycle Information:

[Conec](#)
[43-00095](#)

For any questions, you can email us directly:
sales@integrated-circuit.com

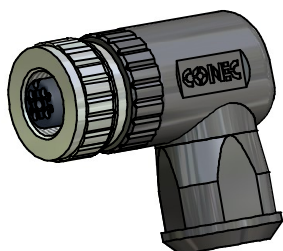
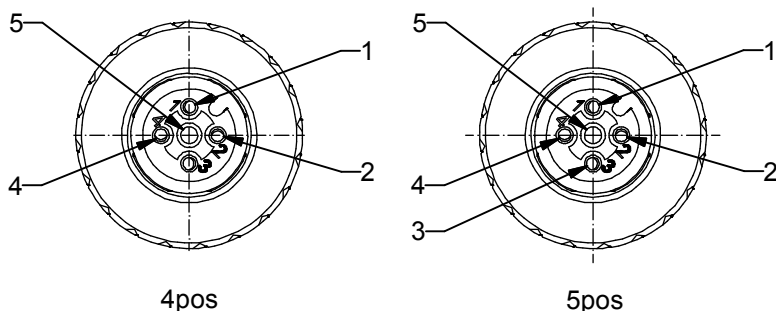


Technical specification:

Rated voltage: IEC 61076-2-101	4pos 250 V	5pos 60 V
Current rating: IEC 61076-2-101	4A at 40°C	
Insulation resistance: IEC 60512-2	>=10 GΩ	
Pollution degree: IEC 60664-1	3/2	
Degree of protection: IEC 60529	IP 67, in mated condition	
Temperature range: IEC 60664-1	-30°C ... +85°C	
Mating cycles: IEC 60512-9a	<=100	
Wire cross section:	AWG18 / max. 0,75mm ²	

Materials:

Contact:	CuZn
Contact plating:	Nickel, gold plated
Contact carrier:	PA6, UL 94
Screw:	Steel, nickel plated
Cable sealing:	Elastomere
O-Ring:	FPM
Coupling nut:	Die cast, nickel plated
Housing:	PA6 GF, UL 94



Directive 2002/95/EC
„RoHS“
Compliant

	Part no:	Description:	Pos:	Cable-Ø:
Screw connection	43-00095	SAL - 12 - RKWC4 - S6/075	4	4 - 6mm
	43-00096	SAL - 12 - RKWC4 - S8/075	4	6 - 8mm
	43-00097	SAL - 12 - RKWC5 - S6/075	5	4 - 6mm
	43-00098	SAL - 12 - RKWC5 - S8/075	5	6 - 8mm

DO NOT ALTER CAD DRAWING BY HAND	Status: 19.01.09 db	dim. in mm	title: Female connector M12x1, field attachable, angled, screw connection								
	tolerance: ISO 2768-m	<table border="1" style="width: 100%; border-collapse: collapse;"> <tr> <td></td> <td>date</td> <td>name</td> </tr> <tr> <td>drawn</td> <td>19.01.09</td> <td>Burschik</td> </tr> <tr> <td>appd.</td> <td>19.01.09</td> <td>Schmidt</td> </tr> </table>				date	name	drawn	19.01.09	Burschik	appd.
		date	name								
	drawn	19.01.09	Burschik								
appd.	19.01.09	Schmidt									
THIS DRAWING MAY NOT BE COPIED OR REPRODUCED IN ANY WAY, AND MAY NOT BE PASSED ON TO A THIRD PARTY WITHOUT WRITTEN PERMISSION.			dwg no: Inventor 10								
			43K1A835								