

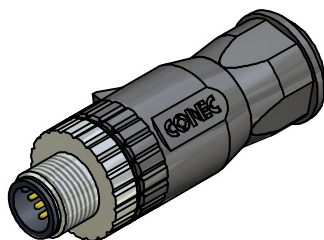
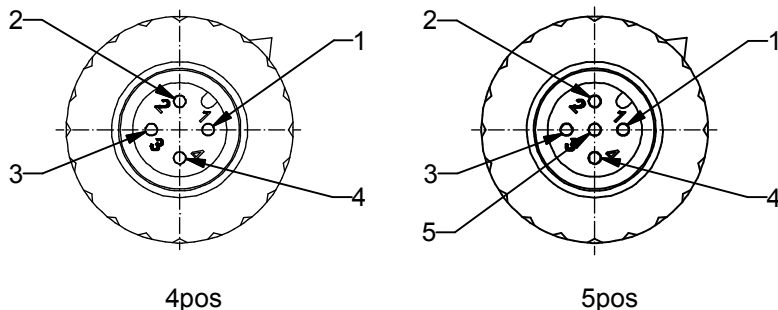
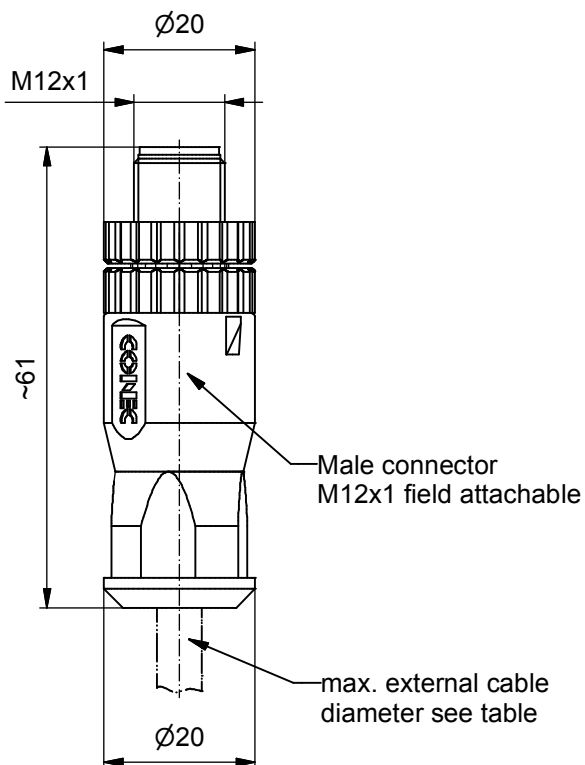
Excellent Integrated System Limited

Stocking Distributor

Click to view price, real time Inventory, Delivery & Lifecycle Information:

[Conec](#)
[43-00099](#)

For any questions, you can email us directly:
sales@integrated-circuit.com



Technical specification:

Rated voltage: IEC 61076-2-101	4pos 250 V	5pos 60 V
Current rating: IEC 61076-2-101	4A at 40°C	
Insulation resistance: IEC 60512-2	>=10 GΩ	
Pollution degree: IEC 60664-1	3/2	
Degree of protection: IEC 60529	IP 67, in mated condition	
Temperature range: IEC 60664-1	-30°C ... +85°C	
Mating cycles: IEC 60512-9a	<=100	
Wire cross section:	AWG18 / max. 0,75mm ²	

Materials:

Contact:	CuZn
Contact plating:	Nickel, gold plated
Contact carrier:	PA6, UL 94
Screw:	Steel, nickel plated
Cable sealing:	Elastomere
O-Ring:	FPM
Coupling screw:	Die cast, nickel plated
Housing:	PA6 GF, UL 94

Directive 2002/95/EC
„RoHS“
Compliant

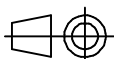
	Part no:	Description:	Pos:	Cable-Ø:
Screw connection	43-00099	SAL - 12 - RSC4 - S6/075	4	4 - 6mm
	43-00100	SAL - 12 - RSC4 - S8/075	4	6 - 8mm
	43-00101	SAL - 12 - RSC5 - S6/075	5	4 - 6mm
	43-00102	SAL - 12 - RSC5 - S8/075	5	6 - 8mm

DO NOT ALTER CAD DRAWING BY HAND

Status: 19.01.09 db

tolerance: ISO 2768-m

THIS DRAWING MAY NOT BE COPIED OR REPRODUCED IN ANY WAY, AND MAY NOT BE PASSED ON TO A THIRD PARTY WITHOUT WRITTEN PERMISSION.



dim. in mm

	date	name
drawn	19.01.09	Burschik
appd.	19.01.09	Schmidt



title: Male connector M12x1, field attachable, axial, screw connection

dwg no: Inventor 10

43K1A836