

Excellent Integrated System Limited

Stocking Distributor

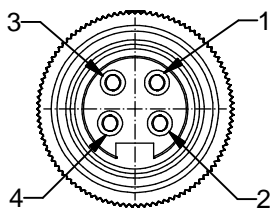
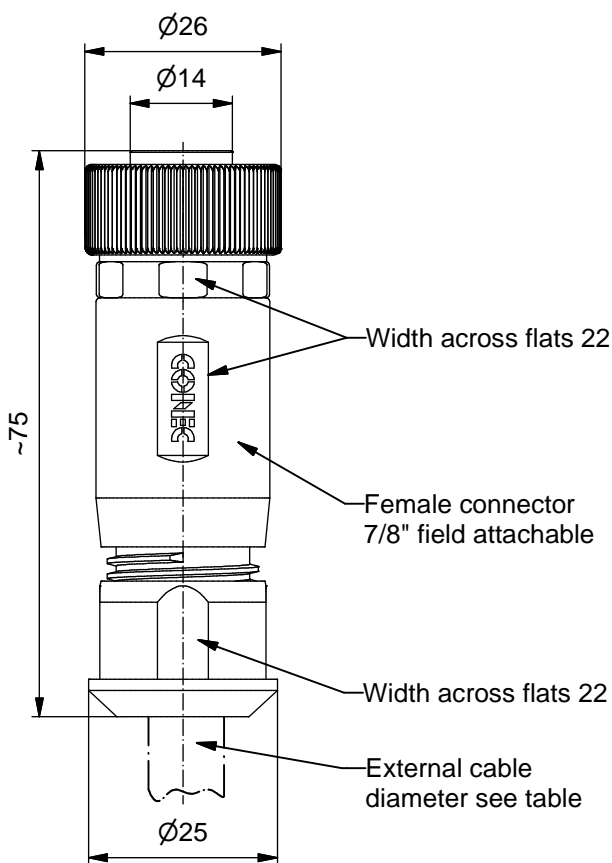
Click to view price, real time Inventory, Delivery & Lifecycle Information:

[Conec](#)

[41-00002](#)

For any questions, you can email us directly:

sales@integrated-circuit.com



4pos



Directive 2002/95/EC
"RoHS"
Compliant

Technical specification:

Rated voltage: IEC 60664-1	4pos 250 V
Current rating: IEC 60512-3	9A at 40°C
Insulation resistance: IEC 60512-2	>=10 GΩ
Pollution degree: IEC 60664-1	3/2
Degree of protection: IEC 60529	IP 67, in mated condition
Temperature range: IEC 60664-1	-40°C ... +85°C
Mating cycles: IEC 60512-9a	<=100
Wire cross section:	AWG16 / max. 1,5mm ²
Contact termination:	Screw connection

Materials:

Contact:	CuZn
Contact plating:	Nickel, gold plated
Contact carrier:	TPU, UL 94
Cable sealing:	Elastomere
Coupling nut:	CuZn, nickel plated
Housing:	PA6 GF, UL 94

Part no:	Description:	Cable sealing:
41-00002	SAL - 7/8 - RKC4 - S	For external diameter 6-8mm, 8-10mm, 10-12mm

DO NOT ALTER CAD DRAWING BY HAND	Status: 05.05.08 Mkf	dim. in mm	title: Female connector 7/8", 4pos field attachable, axial, with screw connection								
	tolerance: ISO 2768-m				<table border="1" style="font-size: small;"> <tr> <td></td> <td>date</td> <td>name</td> </tr> <tr> <td>drawn</td> <td>11.10.07</td> <td>Burschik</td> </tr> <tr> <td>appd.</td> <td>01.11.07</td> <td>Schmidt</td> </tr> </table>		date	name	drawn	11.10.07	Burschik
		date	name								
	drawn	11.10.07	Burschik								
appd.	01.11.07	Schmidt									
THIS DRAWING MAY NOT BE COPIED OR REPRODUCED IN ANY WAY, AND MAY NOT BE PASSED ON TO A THIRD PARTY WITHOUT WRITTEN PERMISSION.		CONEC [®]	dwg no: Inventor 10								
			41K1A326								