

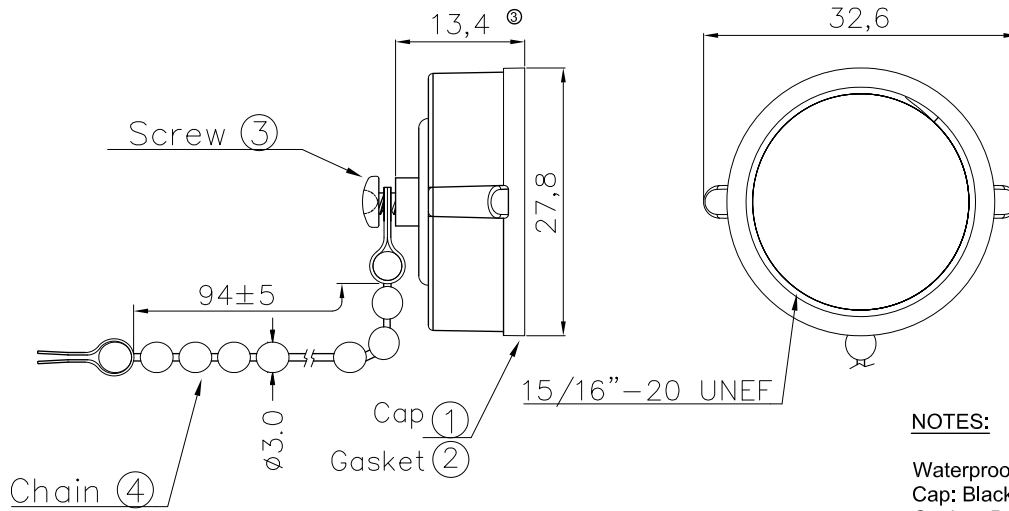
Excellent Integrated System Limited

Stocking Distributor

Click to view price, real time Inventory, Delivery & Lifecycle Information:

[ASSMANN WSW Components](#)
[A-WP-COVER1](#)

For any questions, you can email us directly:
sales@integrated-circuit.com



NOTES:

Waterproof Rate: IP67
 Cap: Black, ABS 94V-0
 Gasket: Black, EPDM 70
 Screw: Stainless
 Chain: Brass, Nickel Plated

RoHS compliant

Scale	Free					Date	Name	Customer-No.
TOLERANCE								
.X	±0.25					Drawn	27.09.2007	N.Schulz
.XX	±0.1					Approved	06.07.2009	Hellwig
.XXX	±0.05							
Angle	±1°							
③	Modify dimension	06.07.2009	Dean			Drawing-No.		
①	Drawn	27.09.2007	N.Schulz			ASS 1555 CO		rev02
Id.	Modification	Date	Name	Replace		Sheet		