

Excellent Integrated System Limited

Stocking Distributor

Click to view price, real time Inventory, Delivery & Lifecycle Information:

[TE Connectivity AMP Connectors](#)
[172927-1](#)

For any questions, you can email us directly:

sales@integrated-circuit.com

Wire to Board Connectors AMPLIMITE Subminiature D HD-20 Connectors Accessories

Straight Exit RFI/EMI Shield For Jacketed Cable (Two Piece)

This cable clamp assembly is molded from thermoplastic in the same design as the zinc-copper alloy cable clamp assembly described in the preceding page. Made of ABS resin material, the clamp is available either metal-plated over plastic for use in RFI/EMI shielding applications or unplated.

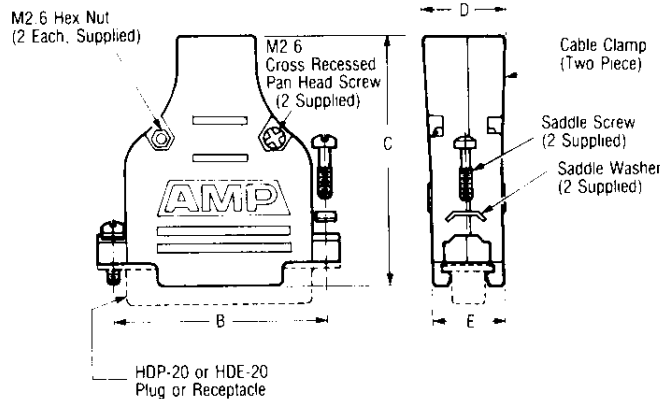
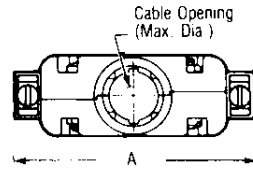
This hardware too can be applied to both plug and receptacle connectors and installed to the connector terminated with the cable easily by virtue of its two-piece construction. It is available in many sizes to accept a wide range of cable diameters. All but the 50 position assembly are with saddle washer at the screw mounting portion.

Material and Finish :

Cable Clamp — ABS resin, with or without Nickel over Copper underplated
 Mounting Screw — Nickel plated Brass
 Saddle Washer — Nickel plated steel
 M2.6 Hex Nut, M2.6 Cross Recessed Pan Head Screw — Nickel plated Brass

Applicable Connectors :

HDP-20 Metal-Shell (Tin plated only)
 HDE-20 Metal-Shell (Tin plated only)



No. of Pos. (Shell Size)	Dimensions					Cable Dia. (Max.)	Plastic Cable Clamp Assembly Part No.			
	A	B	C	D	E		With Metal Plating		Without Metal Plating	
							M2.6	4-40	M2.6	4-40
9 (1)	30.9	24.99	48.5	14.0	15.8	5.1	172925-3	172921-3	1-172925-3	1-172921-3
						6.4	172925-2	172921-2	1-172925-2	1-172921-2
						9.4	172925-1	172921-1	1-172925-1	1-172921-1
15 (2)	39.2	33.32	48.5	15.7	15.7	5.85	172926-4	172922-4	1-172926-4	1-172922-4
						7.6	172926-3	172922-3	1-172926-3	1-172922-3
						9.4	172926-2	172922-2	1-172926-2	1-172922-2
						10.9	172926-1	172922-1	1-172926-1	1-172922-1
						7.1	172927-5	172923-5	1-172927-5	1-172923-5
25 (3)	53.1	47.04	48.7	17.3	15.8	8.9	172927-4	172923-4	1-172927-4	1-172923-4
						10.9	172927-3	172923-3	1-172927-3	1-172923-3
						12.2	172927-2	172923-2	1-172927-2	1-172923-2
						13.5	172927-1	—	1-172927-1	1-172923-1
						8.9	172928-5	172924-5	1-172928-5	1-172924-5
						10.8	172928-4	172924-4	1-172928-4	1-172924-4
						12.7	—	172924-3	1-172928-3	1-172924-3
37 (4)	69.5	63.50	48.8	20.3	15.8	14.6	172928-2	172924-2	1-172928-2	1-172924-2
						16.5	172928-1	172924-1	1-172928-1	1-172924-1

- Note : 1. All Parts are packaged unassembled. All components (Screw, etc) are included in any of the assembly Part No.
 2. Jackscrew kit must be purchased separately.
 3. Split-ring and crimp ferrules are also available.