

## **Excellent Integrated System Limited**

Stocking Distributor

Click to view price, real time Inventory, Delivery & Lifecycle Information:

[Bel Fuse Inc.](#)  
[105-0752-150](#)

For any questions, you can email us directly:  
[sales@integrated-circuit.com](mailto:sales@integrated-circuit.com)

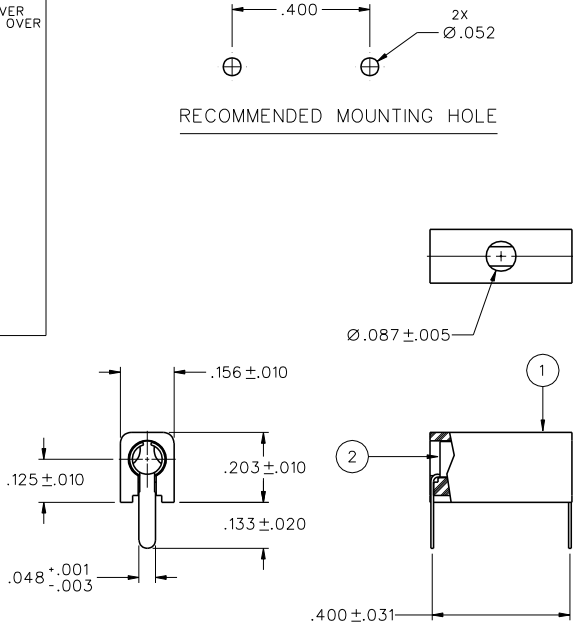
PART NUMBER	ITEM ①	COLOR	ITEM ②
	BODY		CONTACT
105-0751-150	NYLON	WHITE	COPPER ALLOY 688
105-0752-150		RED	GOLD PL .00001 MIN OVER
105-0753-150		BLACK	NICKEL PL .00005 MIN OVER
105-0754-150		GREEN	COPPER PL .00001 MIN
105-0755-150			
105-0756-150		ORANGE	
105-0757-150		YELLOW	
105-0758-150		BROWN	
105-0759-150			
105-0760-150		BLUE	
105-0761-150			
105-0762-150		VIOLET	
105-0763-150		GRAY	
105-0764-150			
105-0765-150			
105-0766-150			
105-0767-150			
105-0768-150			
105-0769-150			
105-0770-150			

**NOTES:**  
**SPECIFICATIONS:**

**ELECTRICAL:**  
 CURRENT RATING: 5 AMPS DC MINIMUM  
 DIELECTRIC WITHSTANDING VOLTAGE: 2100 VRMS MIN AT SEA LEVEL  
 RECOMMENDED WORKING VOLTAGE: 1500 VRMS MAX AT SEA LEVEL  
 350 VRMS MAX AT 50,000 FEET  
 INSULATION RESISTANCE: 5000 MEGOHMS MIN  
 CONTACT RESISTANCE: 5 MILLIOHMS MAXIMUM  
 CAPACITANCE: 1 PF NOMINAL

**MECHANICAL:**  
 INSERTION/WITHDRAWAL FORCE: 0.5 - 5.0 POUNDS  
 CONTACT RETENTION IN INSULATOR FORCE: NOT APPLICABLE  
 CONTACT RETENTION IN INSULATOR TORQUE: NOT APPLICABLE  
 INSULATOR RETENTION IN .062 PANEL FORCE: NOT APPLICABLE  
 INSULATOR RETENTION IN SLEEVE FORCE: NOT APPLICABLE  
 INSULATOR RETENTION IN PANEL TORQUE: NOT APPLICABLE  
 PLASTIC MOUNTING THREAD STRIPPING TORQUE: NOT APPLICABLE  
 RESISTANCE TO TEST PROBE DAMAGE TORQUE: 2 IN LB MIN  
 MATING TIP PLUG DIAMETER: .080  
 DURABILITY: 500 CYCLES MINIMUM

**ENVIRONMENTAL:**  
 (MEETS OR EXCEEDS THE APPLICABLE PARAGRAPH OF MIL-PRF-39024)  
 OPERATING TEMPERATURE: -55 DEG C TO 75 DEG C  
 TEMPERATURE RISE AT RATED CURRENT: 10 DEG C MAXIMUM  
 CORROSION: MIL-STD-1344, METHOD 1001, CONDITION B  
 SHOCK: MIL-STD-1344, METHOD 2004, CONDITION C  
 VIBRATION: MIL-STD-1344, METHOD 2005, CONDITION 1  
 HUMIDITY: MIL-STD-1344, METHOD 1002, CONDITION B



DRAWING NO.  
**B - 105-0751/0770-150**

REVISIONS
0

REVISED AND REDRAWN. DRAWING WAS "C" SIZE 105-0751/0770-001/501 DATED 3-29-88. SPLIT INTO 8 SEPERATE DWGS. CREATED SHEET 2.  
 \*\*\*\*\*  
 \* REVISION NUMBER FOLLOWED BY AN ALPHA \*  
 \* CHARACTER INDICATES DRAWING CLARIF- \*  
 \* CATION OR PART NUMBER ADDITION ONLY. \*  
 \*\*\*\*\*

13c 2-10-03 RJB ECN 48700

**CUSTOMER DRAWING**  
 THIS DRAWING TO BE INTERPRETED PER ANSII 14.5M - 1982  
 "µSTATION"  
**COMPANY CONFIDENTIAL**

TOLERANCE UNLESS OTHERWISE SPECIFIED	DRAWN BY	DATE	 <small>Cinch Connectivity Solutions          PO Box 1723          Waseca, MN 56093          1-800-247-8256</small>
DECIMALS .XX	RJB	12-19-02	
mm	CHECKED BY	DATE	<b>TITLE</b> TIP JACK, STANDARD HORIZONTAL PC MOUNT FOR .080 DIA PLUG
.XXX	RJB	2-12-03	
MATL	APPROVED BY	DATE	<b>CODE NO.</b> B - 105-0751/0770-150
FINISH	RJB	2-12-03	
	RELEASE DATE		<b>DRAWING NO.</b> B - 105-0751/0770-150
			SCALE 4:1 U/M INCH SHEET 2 OF 2