

Excellent Integrated System Limited

Stocking Distributor

Click to view price, real time Inventory, Delivery & Lifecycle Information:

[OSRAM Opto Semiconductors, Inc.](#)
[SFH 203](#)

For any questions, you can email us directly:

sales@integrated-circuit.com

Silicon PIN Photodiode Version 1.3

SFH 203 FA



Features:

- Wavelength range (S10%) 750 nm to 1100 nm
- Short switching time (typ. 5 ns)
- 5 mm LED plastic package

Applications

- Photointerrupters
- Industrial electronics
- For control and drive circuits

Ordering Information

Type:	Photocurrent I_P [μA] $V_R = 5 V, \lambda = 870 nm, E_e = 1 mW/cm^2$	Ordering Code
SFH 203 FA	50 (≥ 30)	Q62702P0956

Version 1.3
SFH 203 FA
Maximum Ratings ($T_A = 25\text{ °C}$)

Parameter	Symbol	Values	Unit
Operating and storage temperature range	$T_{op}; T_{stg}$	-40 ... 100	°C
Reverse voltage	V_R	20	V
Reverse voltage ($t < 2\text{ min}$)	V_R	50	V
Total Power dissipation	P_{tot}	150	mW
ESD withstand voltage (acc. to ANSI/ ESDA/ JEDEC JS-001 - HBM)	V_{ESD}	2000	V

Characteristics ($T_A = 25\text{ °C}$)

Parameter	Symbol	Values	Unit
Photocurrent ($V_R = 5\text{ V}$, $\lambda = 870\text{ nm}$, $E_e = 1\text{ mW/cm}^2$) (typ (min))	I_P	50 (≥ 30)	μA
Wavelength of max. sensitivity (typ)	$\lambda_{S\text{ max}}$	900	nm
Spectral range of sensitivity (typ)	$\lambda_{10\%}$	(typ) 750 ... 1100	nm
Radiant sensitive area (typ)	A	1.00	mm^2
Dimensions of radiant sensitive area (typ)	L x W	1 x 1	mm x mm
Half angle (typ)	φ	± 20	°
Dark current ($V_R = 20\text{ V}$) (typ (max))	I_R	1 (≤ 5)	nA
Spectral sensitivity of the chip (typ)	$S_{\lambda\text{ typ}}$	0.62	A / W
Quantum yield of the chip ($\lambda = 850\text{ nm}$) (typ)	η	0.90	Electrons / Photon
Open-circuit voltage ($E_e = 0.5\text{ mW/cm}^2$, $\lambda = 870\text{ nm}$) (typ (min))	V_O	370 (≥ 300)	mV
Short-circuit current ($E_e = 0.5\text{ mW/cm}^2$, $\lambda = 870\text{ nm}$) (typ)	I_{SC}	25	μA
Rise and fall time ($V_R = 20\text{ V}$, $R_L = 50\ \Omega$, $\lambda = 850\text{ nm}$) (typ)	t_r, t_f	0.005	μs
Forward voltage ($I_F = 100\text{ mA}$, $E = 0$) (typ)	V_F	1.3	V
Capacitance ($V_R = 0\text{ V}$, $f = 1\text{ MHz}$, $E = 0$) (typ)	C_0	11	pF
Temperature coefficient of V_O (typ)	TC_V	-2.6	mV / K

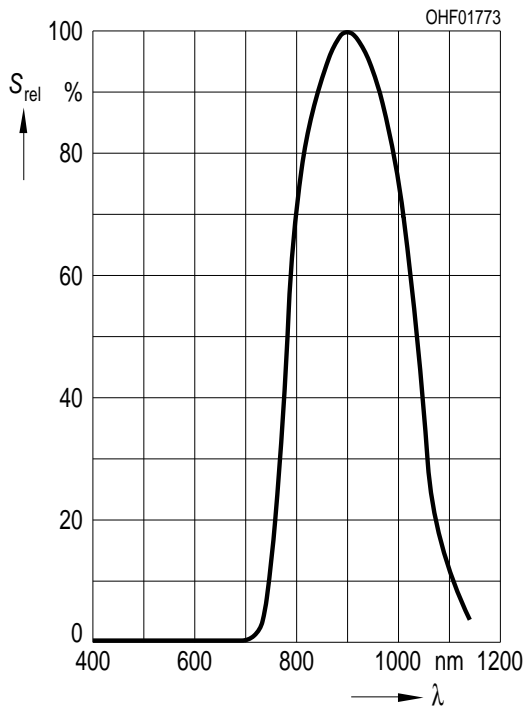
Version 1.3

SFH 203 FA

Parameter		Symbol	Values	Unit
Temperature coefficient of I_{SC} ($\lambda = 870 \text{ nm}$)	(typ)	TC_I	0.1	% / K
Noise equivalent power ($V_R = 20 \text{ V,}$)	(typ)	NEP	0.029	pW / $\text{Hz}^{1/2}$
Detection limit	(typ)	D^*	3.5e12	$\text{cm} \times \text{Hz}^{1/2} / \text{W}$

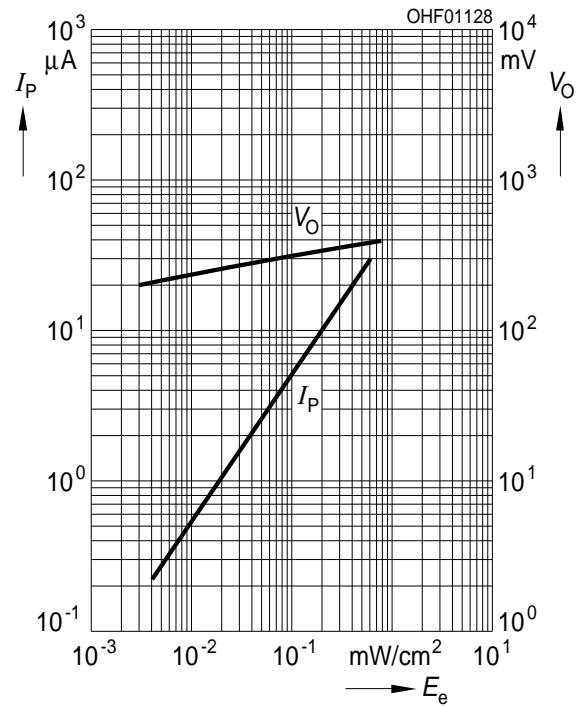
Relative Spectral Sensitivity ^{1) page 8}

$S_{rel} = f(\lambda)$



Photocurrent / Open-Circuit Voltage ^{1) page 8}

$I_P (V_R = 5 \text{ V}) / V_O = f(E_e)$

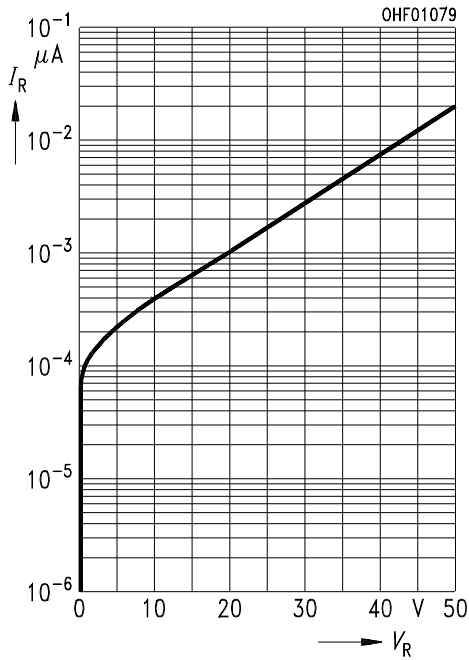


Version 1.3

SFH 203 FA

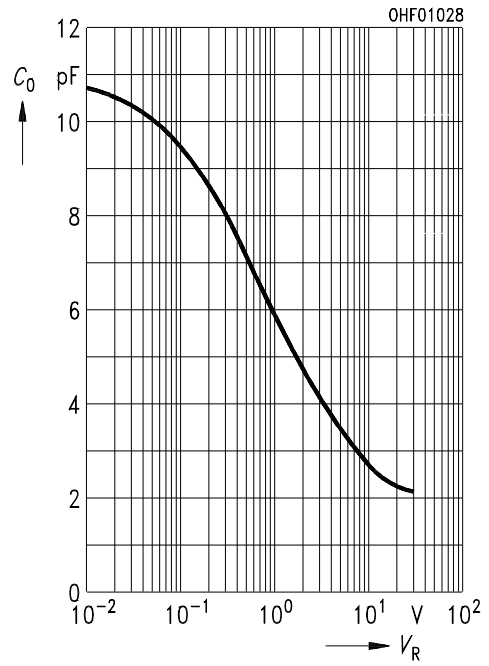
Dark Current ^{1) page 8}

$I_R = f(V_R), E = 0$



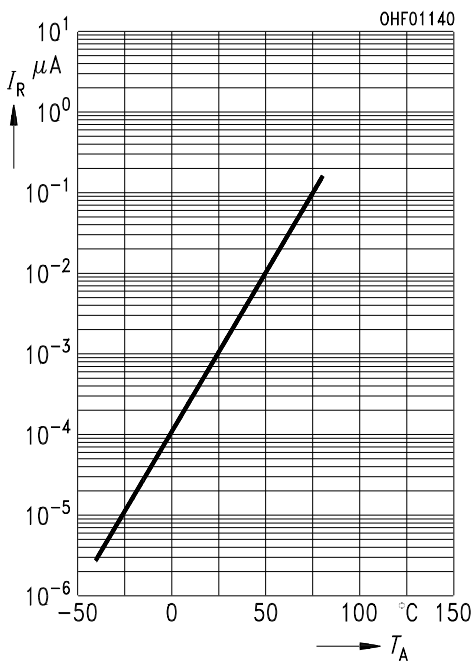
Capacitance ^{1) page 8}

$C = f(V_R), f = 1 \text{ MHz}, E = 0$



Dark Current ^{1) page 8}

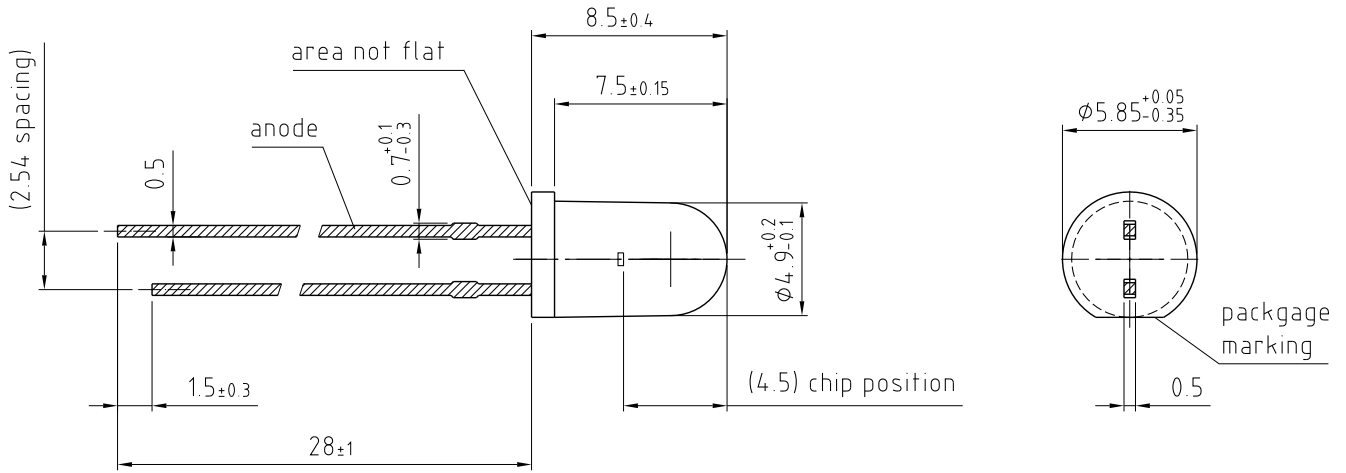
$I_R = f(T_A), V_R = 20 \text{ V}, E = 0$



Version 1.3

SFH 203 FA

Package Outline



general tolerance ± 0.1
 lead finish Sn

C63062-A1508-A1..-04

Dimensions in mm.

Package

5mm Radial (T 1 $\frac{3}{4}$), Epoxy

Approximate Weight:

0.3 g

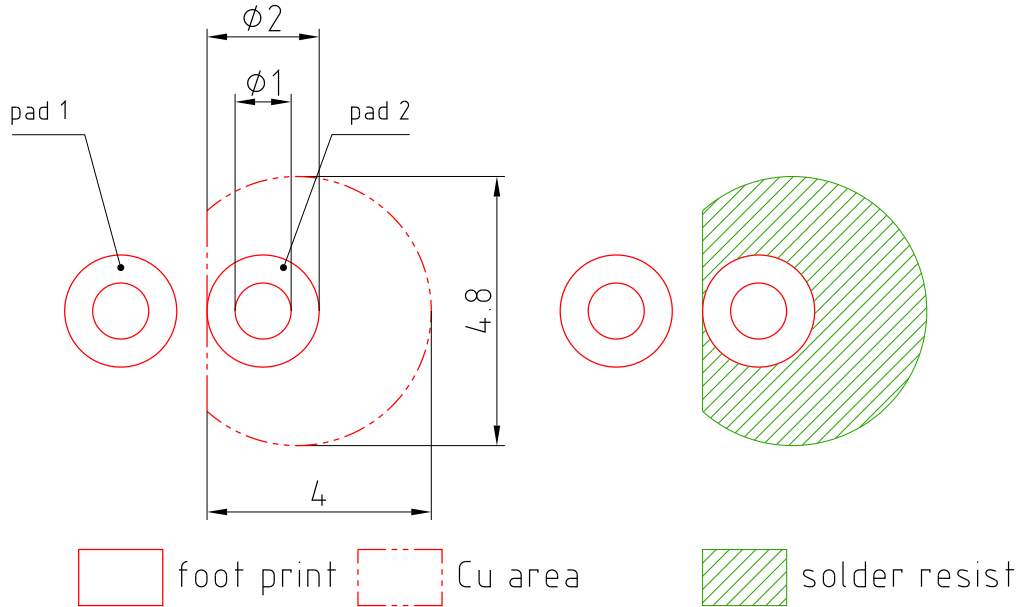
Note

Packing information is available on the internet (online product catalog).

Version 1.3

SFH 203 FA

Recommended Solder Pad



E062.3010.188-01

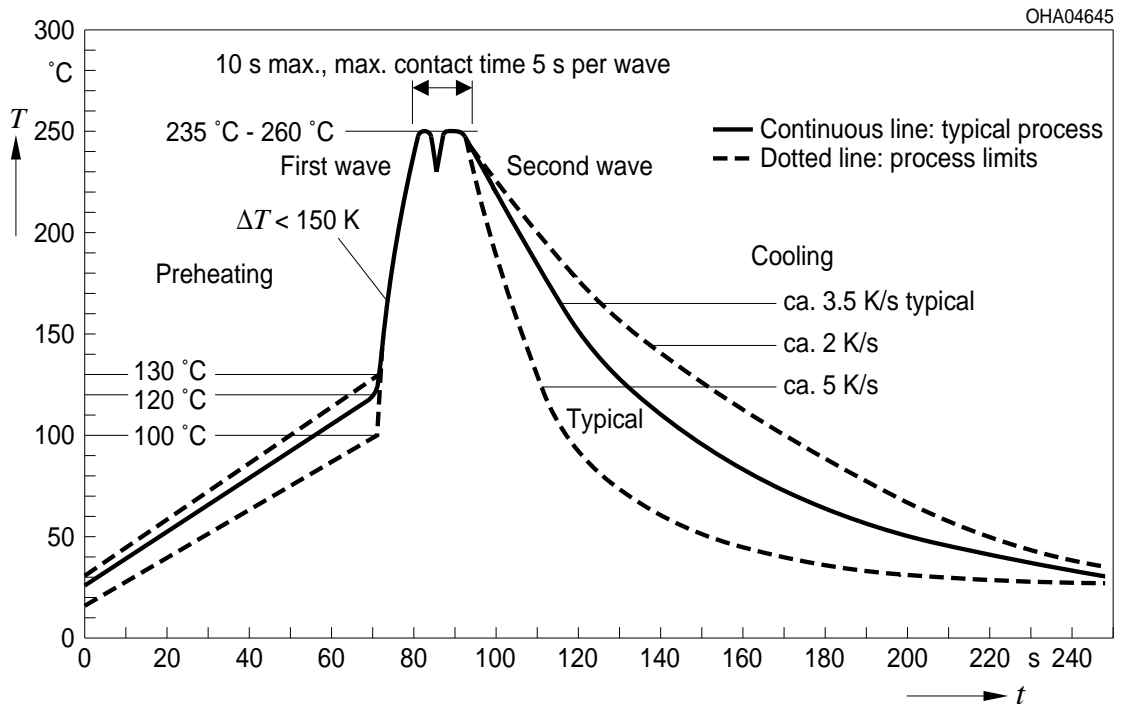
Dimensions in mm.

Note:

pad 1: anode

TTW Soldering

IEC-61760-1 TTW



Version 1.3

SFH 203 FA

Disclaimer

Language english will prevail in case of any discrepancies or deviations between the two language wordings.

Attention please!

The information describes the type of component and shall not be considered as assured characteristics.

Terms of delivery and rights to change design reserved. Due to technical requirements components may contain dangerous substances.

For information on the types in question please contact our Sales Organization.

If printed or downloaded, please find the latest version in the Internet.

Packing

Please use the recycling operators known to you. We can also help you – get in touch with your nearest sales office.

By agreement we will take packing material back, if it is sorted. You must bear the costs of transport. For packing material that is returned to us unsorted or which we are not obliged to accept, we shall have to invoice you for any costs incurred.

Components used in life-support devices or systems must be expressly authorized for such purpose!

Critical components* may only be used in life-support devices** or systems with the express written approval of OSRAM OS.

*) A critical component is a component used in a life-support device or system whose failure can reasonably be expected to cause the failure of that life-support device or system, or to affect its safety or the effectiveness of that device or system.

**) Life support devices or systems are intended (a) to be implanted in the human body, or (b) to support and/or maintain and sustain human life. If they fail, it is reasonable to assume that the health and the life of the user may be endangered.

Version 1.3

SFH 203 FA

Glossary

- ¹⁾ **Typical Values:** Due to the special conditions of the manufacturing processes of LED, the typical data or calculated correlations of technical parameters can only reflect statistical figures. These do not necessarily correspond to the actual parameters of each single product, which could differ from the typical data and calculated correlations or the typical characteristic line. If requested, e.g. because of technical improvements, these typ. data will be changed without any further notice.

Version 1.3

SFH 203 FA

Published by OSRAM Opto Semiconductors GmbH
Leibnizstraße 4, D-93055 Regensburg
www.osram-os.com © All Rights Reserved.

EU RoHS and China RoHS compliant product



此产品符合欧盟 RoHS 指令的要求；
按照中国的相关法规和标准，不含有毒有害物质或元素。