

Excellent Integrated System Limited

Stocking Distributor

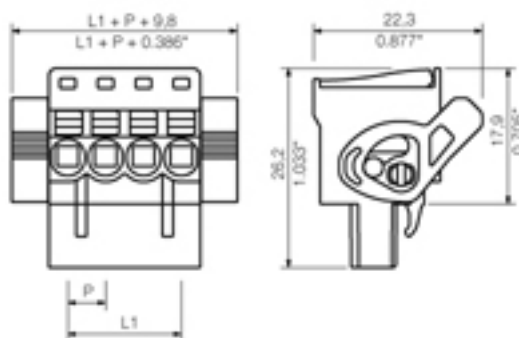
Click to view price, real time Inventory, Delivery & Lifecycle Information:

[Weidmüller](#)
[1981500000](#)

For any questions, you can email us directly:

sales@integrated-circuit.com

Product catalogue | PCB connection systems | PCB plug-in connectors | Pitch 5.00 / 5.08 mm (0.197 / 0.200 inch) | Female PUSH IN socket block with spring connection in 5.00/5.08 pitch | BLF 5.00-5.08/90/270 | BLF 5.00/90LH SN



General ordering data

| | |
|------------------|--|
| Order No. | 1981500000 |
| Part designation | BLF 5.00/15/90LH SN OR BX |
| Version | PCB plug-in connector, PUSH IN, Clamping range, max.: 3.31 mm ² , Pitch in mm: 5 mm, No. of poles: 15, 90°, Box |
| EAN | 4032248676804 |
| Qty. | 18 pc(s). |
| Packaging | Box |

System parameters

| | |
|---|------------------------|
| Conductor connection system | PUSH IN |
| Outgoing direction of conductor | 90° |
| Pitch in mm | 5 mm |
| Pitch in inch | 0.197 inch |
| No. of poles | 15 |
| No. of rows | 1 |
| Screwdriver blade | 0.6 x 3.5 |
| Screwdriver blade standard | DIN 5264 |
| Stripping length | 10 mm |
| L1 in mm | 70 mm |
| L1 in inch | 2.758 inch |
| Electric shock protection to DIN VDE 0470 | IP 20 |
| Electric shock protection to DIN VDE 57 106 | Safe from finger touch |

Material data

| | |
|--------------------------|---------------------|
| Insulating material | PBT |
| Colour | Orange |
| colour chart | Similar to RAL 2000 |
| Flammability class UL 94 | V-0 |
| Contact material | CuSn |
| Contact surface | tinned |
| Contact base material | CuSn |

Product catalogue | PCB connection systems | PCB plug-in connectors | Pitch 5.00 / 5.08 mm (0.197 / 0.200 inch) | Female PUSH IN socket block with spring connection in 5.00/5.08 pitch | BLF 5.00-5.08/90/270 | BLF 5.00/90LH SN

Connectable conductors

| | |
|---|----------------------|
| Clamping range, min. | 0.13 mm ² |
| Clamping range, max. | 3.31 mm ² |
| Conductor connection cross-section AWG, min. | AWG 26 |
| Conductor connection cross-section AWG, max. | AWG 12 |
| Solid, min. H05(07) V-U | 0.2 mm ² |
| Solid, max. H05(07) V-U | 2.5 mm ² |
| Stranded, max. H07V-R | 2 mm ² |
| Stranded, min. H07V-R | 0 mm ² |
| Flexible, min. H05(07) V-K | 0.2 mm ² |
| Flexible, max. H05(07) V-K | 2.5 mm ² |
| w. wire end ferrule, DIN 46228 pt 1, min | 0.2 mm ² |
| with wire end ferrule, DIN 46228 pt 1, max. | 2.5 mm ² |
| w. plastic collar ferrule, DIN 46228 pt 4, min. | 0.2 mm ² |
| with plastic collar ferrule, DIN 46228 pt 4, max. | 2.5 mm ² |
| Gauge to EN 60999 a x b; ø | 2.4 mm x 1.5 mm |

DIN IEC rating data

| | |
|--|-------------------|
| Rated current, min. No. of poles (Tu=20°C) | 18.5 A |
| Rated current, max. No. of poles (Tu=20°C) | 6 A |
| Rated current, no. of poles (Tu=40°C), min. | 12.5 A |
| Rated current, no. of poles (Tu=40°C), max. | 6 A |
| Rated voltage for overvoltage class/pollution severity II/2 | 400 V |
| Rated voltage for overvoltage class/pollution severity III/2 | 320 V |
| Rated voltage at overvoltage category/pollution degree III/3 | 250 V |
| Rated impulse withstand voltage for overvoltage class/pollution severity II/2 | 4 kV |
| Rated impulse withstand voltage for overvoltage class/pollution severity III/2 | 4 kV |
| Rated impulse withstand voltage for overvoltage class/pollution severity III/3 | 4 kV |
| Short-time withstand current resistance | 3 x 1s with 120 A |

CSA rating data

| | |
|-----------------------------|-------|
| Rated voltage (Use group B) | 300 V |
| Rated current (use group B) | 10 A |

UL 1059 rating data

| | |
|-----------------------------|-------|
| Rated voltage (use group B) | 300 V |
| Rated current (use group B) | 10 A |

Approvals

| | |
|----------------------|------------|
| Approvals institutes | CSA; CURUS |
|----------------------|------------|

Classifications

| | |
|------------|-------------|
| eClass 6.0 | 27-26-07-08 |
|------------|-------------|

Notes

Notes

Product catalogue | PCB connection systems | PCB plug-in connectors | Pitch 5.00 / 5.08 mm (0.197 / 0.200 inch) | Female PUSH IN socket block with spring connection in 5.00/5.08 pitch | BLF 5.00-5.08/90/270 | BLF 5.00/90LH SN

Notes

Similar products

| Order No. | Part designation | Version |
|------------|---------------------------|--|
| 1979980000 | BLF 5.00/02/90LH SN BK BX | PCB plug-in connector, PUSH IN, Clamping range, max.: 3.31 mm ² , Pitch in mm: 5 mm, No. of poles: 2, 90°, Box |
| 1979990000 | BLF 5.00/03/90LH SN BK BX | PCB plug-in connector, PUSH IN, Clamping range, max.: 3.31 mm ² , Pitch in mm: 5 mm, No. of poles: 3, 90°, Box |
| 1980000000 | BLF 5.00/04/90LH SN BK BX | PCB plug-in connector, PUSH IN, Clamping range, max.: 3.31 mm ² , Pitch in mm: 5 mm, No. of poles: 4, 90°, Box |
| 1980010000 | BLF 5.00/05/90LH SN BK BX | PCB plug-in connector, PUSH IN, Clamping range, max.: 3.31 mm ² , Pitch in mm: 5 mm, No. of poles: 5, 90°, Box |
| 1980020000 | BLF 5.00/06/90LH SN BK BX | PCB plug-in connector, PUSH IN, Clamping range, max.: 3.31 mm ² , Pitch in mm: 5 mm, No. of poles: 6, 90°, Box |
| 1980030000 | BLF 5.00/07/90LH SN BK BX | PCB plug-in connector, PUSH IN, Clamping range, max.: 3.31 mm ² , Pitch in mm: 5 mm, No. of poles: 7, 90°, Box |
| 1980040000 | BLF 5.00/08/90LH SN BK BX | PCB plug-in connector, PUSH IN, Clamping range, max.: 3.31 mm ² , Pitch in mm: 5 mm, No. of poles: 8, 90°, Box |
| 1980050000 | BLF 5.00/09/90LH SN BK BX | PCB plug-in connector, PUSH IN, Clamping range, max.: 3.31 mm ² , Pitch in mm: 5 mm, No. of poles: 9, 90°, Box |
| 1980060000 | BLF 5.00/10/90LH SN BK BX | PCB plug-in connector, PUSH IN, Clamping range, max.: 3.31 mm ² , Pitch in mm: 5 mm, No. of poles: 10, 90°, Box |
| 1980070000 | BLF 5.00/11/90LH SN BK BX | PCB plug-in connector, PUSH IN, Clamping range, max.: 3.31 mm ² , Pitch in mm: 5 mm, No. of poles: 11, 90°, Box |
| 1980080000 | BLF 5.00/12/90LH SN BK BX | PCB plug-in connector, PUSH IN, Clamping range, max.: 3.31 mm ² , Pitch in mm: 5 mm, No. of poles: 12, 90°, Box |
| 1980090000 | BLF 5.00/13/90LH SN BK BX | PCB plug-in connector, PUSH IN, Clamping range, max.: 3.31 mm ² , Pitch in mm: 5 mm, No. of poles: 13, 90°, Box |
| 1980100000 | BLF 5.00/14/90LH SN BK BX | PCB plug-in connector, PUSH IN, Clamping range, max.: 3.31 mm ² , Pitch in mm: 5 mm, No. of poles: 14, 90°, Box |
| 1980110000 | BLF 5.00/15/90LH SN BK BX | PCB plug-in connector, PUSH IN, Clamping range, max.: 3.31 mm ² , Pitch in mm: 5 mm, No. of poles: 15, 90°, Box |
| 1980120000 | BLF 5.00/16/90LH SN BK BX | PCB plug-in connector, PUSH IN, Clamping range, max.: 3.31 mm ² , Pitch in mm: 5 mm, No. of poles: 16, 90°, Box |
| 1980130000 | BLF 5.00/17/90LH SN BK BX | PCB plug-in connector, PUSH IN, Clamping range, max.: 3.31 mm ² , Pitch in mm: 5 mm, No. of poles: 17, 90°, Box |
| 1980140000 | BLF 5.00/18/90LH SN BK BX | PCB plug-in connector, PUSH IN, Clamping range, max.: 3.31 mm ² , Pitch in mm: 5 mm, No. of poles: 18, 90°, Box |
| 1980150000 | BLF 5.00/19/90LH SN BK BX | PCB plug-in connector, PUSH IN, Clamping range, max.: 3.31 mm ² , Pitch in mm: 5 mm, No. of poles: 19, 90°, Box |
| 1980160000 | BLF 5.00/20/90LH SN BK BX | PCB plug-in connector, PUSH IN, Clamping range, max.: 3.31 mm ² , Pitch in mm: 5 mm, No. of poles: 20, 90°, Box |