

Excellent Integrated System Limited

Stocking Distributor

Click to view price, real time Inventory, Delivery & Lifecycle Information:

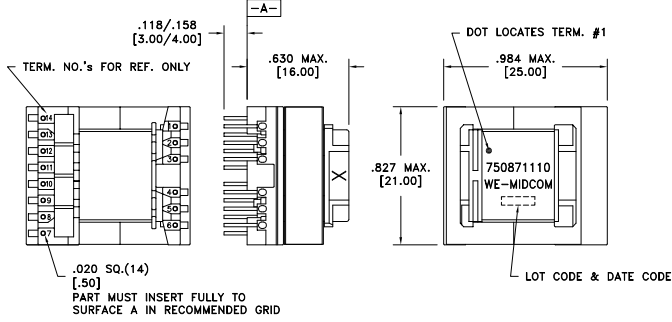
[Würth Electronics Midcom](#)
[750871110](#)

For any questions, you can email us directly:

sales@integrated-circuit.com

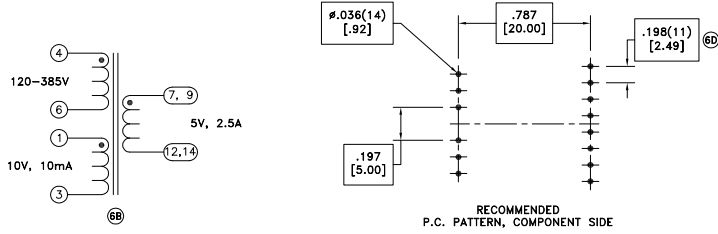
CUSTOMER TERMINAL	RoHS	LEAD(Pb)-FREE
Sn96%, Ag4%	Yes	Yes

more than you expect



ELECTRICAL SPECIFICATIONS @ 25°C unless otherwise noted:

PARAMETER	TEST CONDITIONS	VALUE
D.C. RESISTANCE	4-6 @20°C	4.8 ohms max.
D.C. RESISTANCE	3-1 @20°C	0.98 ohms max.
D.C. RESISTANCE	7-12 tie(12+14, 7+9), @20°C	0.04 ohms max.
INDUCTANCE	4-6 10kHz, 100mVAC, Ls	1.60mH ±10%
LEAKAGE INDUCTANCE	4-6 tie(1+3+12+7+9+14), 100kHz, 100mVAC, Ls	29uH typ., 48uH max.
DIELECTRIC	4-7 tie(4+1), 4800VAC, 1 second	4000VAC, 1 minute
DIELECTRIC	1-4 1875VAC, 1 second	1500VAC, 1 minute
URNS RATIO	(4-6):(1-3)	7.2:1, ±2%
URNS RATIO	(4-6):(7-12)	14.4:1, ±2%



REV.	DATE	Packaging Specifications
6D	8/13	Method: Tray
6C	12/10	PKG-0736
6B	10/09	www.we-online.com/midcom
6A	10/08	SEE REVISION SHEET FOR REVISION LEVEL



Tolerances unless otherwise specified:
 Angles: ±1° Decimals: ±.005 [.13]
 Fractions: ±1/64 Footprint: ±.001 [.03]

This drawing is dual dimensioned. Dimensions in brackets are in millimeters.

DRAWING TITLE
TRANSFORMER

PART NO.
750871110



SPECIFICATION SHEET 1 OF 1