

Excellent Integrated System Limited

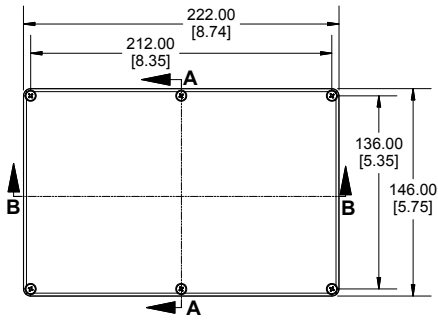
Stocking Distributor

Click to view price, real time Inventory, Delivery & Lifecycle Information:

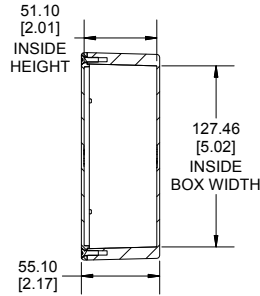
[Hammond Manufacturing](#)
[1550G](#)

For any questions, you can email us directly:

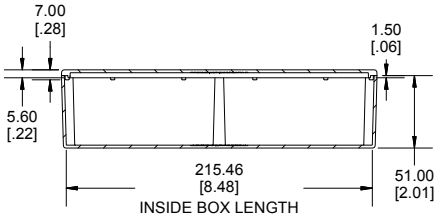
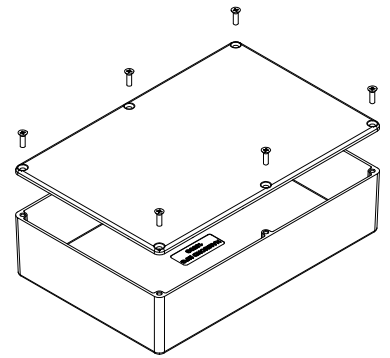
sales@integrated-circuit.com



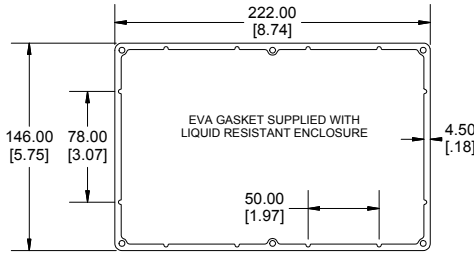
TOP VIEW



**SECTION A-A
END VIEW**



**SECTION B-B
SIDE VIEW**



Enclosures can be Factory Modified (Milling, Drilling, Printing etc.)
Contact Factory mjm@hammondmfg.com for quotes
Solid models of this enclosure available in STEP or IGES.

NOTE

Purchased assembly includes box, lid and 6 cover screws.
Box and lid are made from Diecast Aluminum Alloy.
EVA Gasket supplied with liquid resistant enclosure.

PART NUMBERS

1550G Enclosure	
Natural Finish Enclosure	1550G
Black Textured Enclosure	1550GBK
1550G Liquid Resistant Enclosure (EVA Gasket)	
Natural Finish Enclosure	1550WG
Black Textured Enclosure	1550WGBK

ACCESSORIES

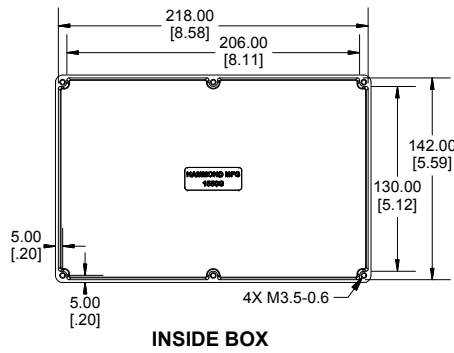
Recommended Torque: 75 ozf.in / 55 cN.m

Standard Cover Screws

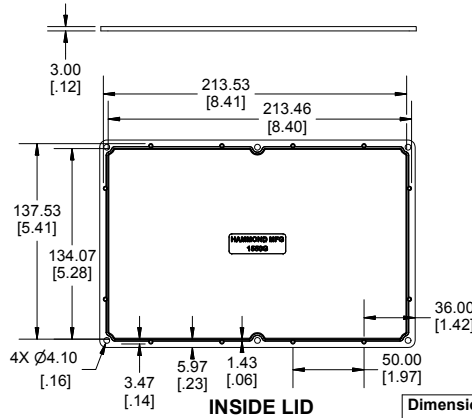
Plated Cover Screws (Pkg 100) [M3.5-0.6 x 12mm]	1550MS100
Black Cover Screws (Pkg 100) [M3.5-0.6 x 12mm]	1550MS100BK

Liquid Resistant Cover Screws and Gaskets

Stainless Steel Cover Screws (Pkg 100) [M3.5 x 12mm, With O-Ring]	1550WMS100
Black Stainless Steel Cover Screws (Pkg 100) [M3.5 x 12mm, With O-Ring]	1550WMS100BK
EVA Pre-formed Gasket Black	1550GEGASKET
Silicone Pre-formed Gasket Black	1550GSGASKET



INSIDE BOX



INSIDE LID

Dimensions:
mm
[inches]

**HAMMOND
MANUFACTURING.**
1550G
www.hammondmfg.com