

Excellent Integrated System Limited

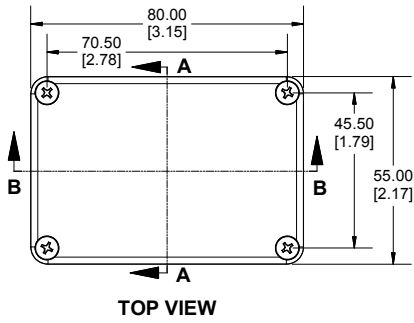
Stocking Distributor

Click to view price, real time Inventory, Delivery & Lifecycle Information:

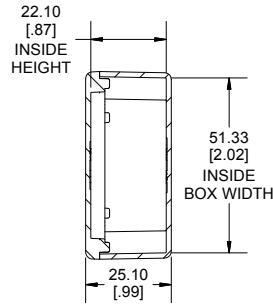
[Hammond Manufacturing
1550P](#)

For any questions, you can email us directly:

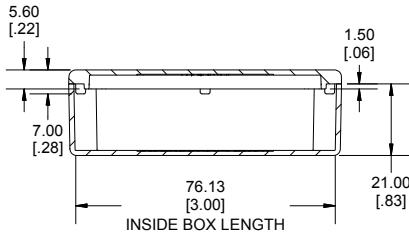
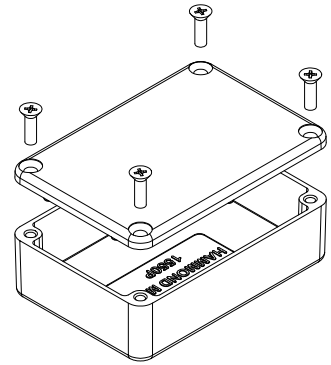
sales@integrated-circuit.com



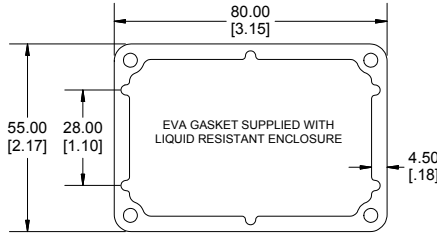
TOP VIEW



SECTION A-A
END VIEW



SECTION B-B
SIDE VIEW



Enclosures can be Factory Modified (Milling, Drilling, Printing etc.)
Contact Factory mjm@hammondmfg.com for quotes
Solid models of this enclosure available in STEP or IGES.

NOTE

Purchased assembly includes box, lid and 4 cover screws.
Box and lid are made from Diecast Aluminum Alloy.
EVA Gasket supplied with liquid resistant enclosure.

PART NUMBERS

| 1550P Enclosure | |
|---|----------|
| Natural Finish Enclosure | 1550P |
| Black Textured Enclosure | 1550PBK |
| 1550P Liquid Resistant Enclosure (EVA Gasket) | |
| Natural Finish Enclosure | 1550WP |
| Black Textured Enclosure | 1550WPBK |

ACCESSORIES

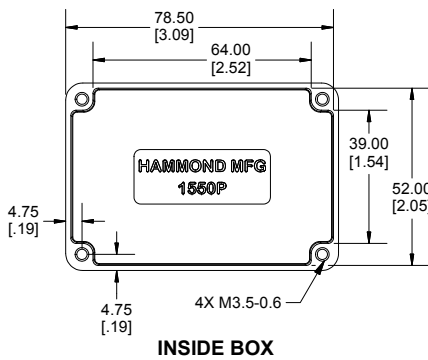
Recommended Torque: 75 ozf.in / 55 cN.m

Standard Cover Screws

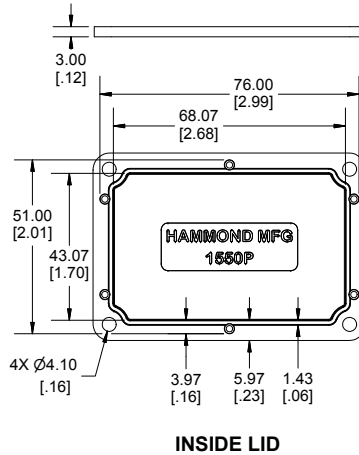
| | |
|--|-------------|
| Plated Cover Screws (Pkg 100) [M3.5-0.6 x 12mm] | 1550MS100 |
| Black Cover Screws (Pkg 100) [M3.5-0.6 x 12mm] | 1550MS100BK |

Liquid Resistant Cover Screws and Gaskets

| | |
|--|--------------|
| Stainless Steel Cover Screws (Pkg 100) [M3.5 x 12mm, With O-Ring] | 1550WMS100 |
| Black Stainless Steel Cover Screws (Pkg 100) [M3.5 x 12mm, With O-Ring] | 1550WMS100BK |
| EVA Pre-formed Gasket Black | 1550PEGASKET |
| Silicone Pre-formed Gasket Black | 1550PSGASKET |



INSIDE BOX



INSIDE LID

Dimensions:
mm
[inches]

**HAMMOND
MANUFACTURING.**
1550P
www.hammondmfg.com