

## Excellent Integrated System Limited

Stocking Distributor

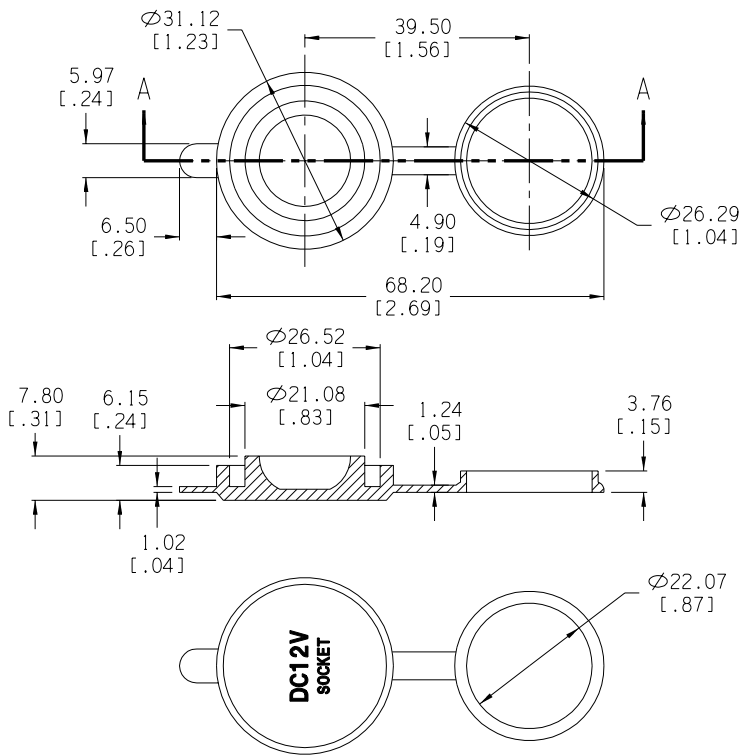
Click to view price, real time Inventory, Delivery & Lifecycle Information:

[Memory Protection Devices](#)  
[ZA2081-R](#)


For any questions, you can email us directly:

[sales@integrated-circuit.com](mailto:sales@integrated-circuit.com)

Date	SYM	REVISION RECORD	AUTH	DR	CK



NOTES:  
MATERIAL: RUBBER  
COLOR: RED

Tolerance (Inches)	 Memory Protection Devices, Inc 200 Broad Hollow Road, Farmingdale, New York 11735	Scale	Drawn By B.S.
Decimal ±.5 (.020)		Approved By T.B.	
Fractional ±.8 (.030)	Title RUBBER CAP FOR CIGARETTE SOCKET		
Angular ± 3°	Date 06/12/04	Drawing Number ZA2081-R	