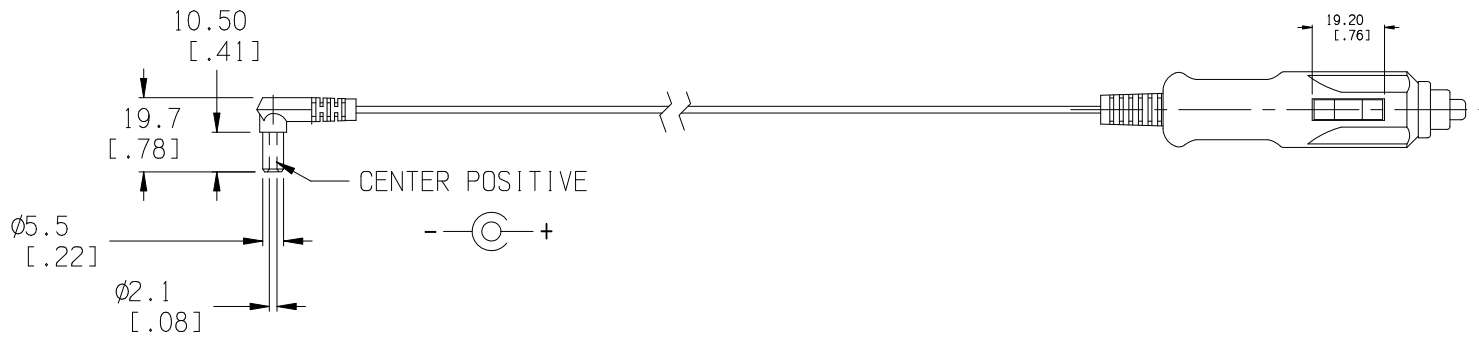
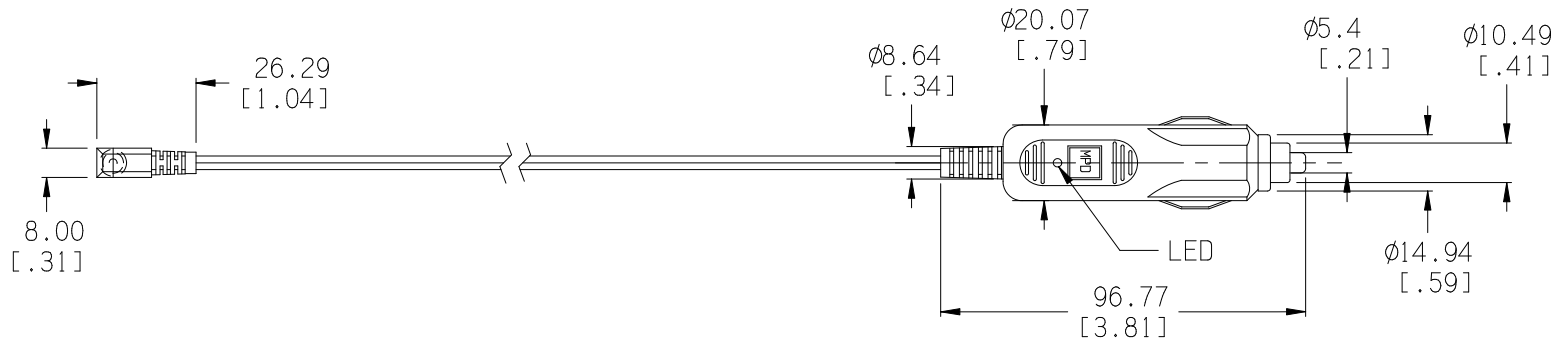



Date	SYM	REVISION RECORD	AUTH	DR.	CK.
10/22/05	A	ADDED "ROHS COMPLIANT"	T.B.	B.S.	
08/28/14	B	UPDATED TO ROHS 2 COMPLIANT	T.B.	B.S.	



BILL OF MATERIAL			Tolerance (Inches)	 Memory Protection Devices, Inc. 200 Broad Hollow Road, Farmingdale, New York 11735
PART #	QTY.	DESCRIPTION	Decimal	
APP-001	1	CIGARETTE PLUG FOR 21 OR 22.2mm DIA. SOCKETS	±.5 (.020)	Drawn By B.S.
PLUG	1	DC MOLDED PLUG, 2.1 x 5.5mm	Fractional	Approved By T.B.
FUSE	1	3AG (6.35 x 30mm), 3 AMP.	± .8 (.030)	Title
CORD	1	UL AWM 2468, 22 AWG, 80°C, UL-VW-1	Angular	Date
ROHS 2 COMPLIANT			± 3°	Drawing Number
				08/28/14
				ZA5077