

Excellent Integrated System Limited

Stocking Distributor

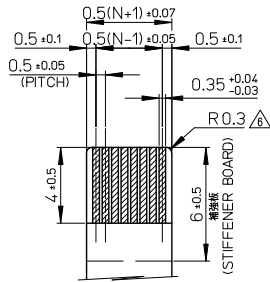
Click to view price, real time Inventory, Delivery & Lifecycle Information:

[Molex Connector Corporation](#)
[0527451797](#)

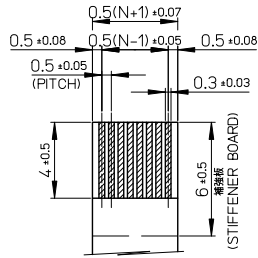
For any questions, you can email us directly:

sales@integrated-circuit.com

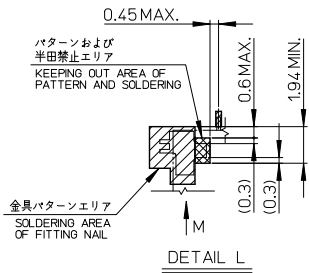
10 9 8 7 6 5 4 3 2 1



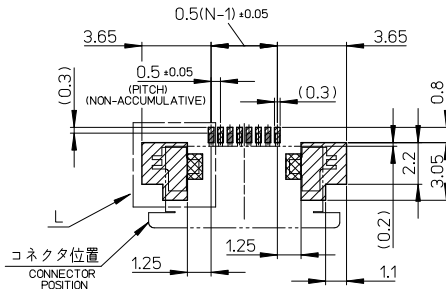
適合金めっきFPC推奨寸法
APPLICABLE FPC OF GOLD
PLATING RECOMMENDED DIMENSION
仕上がり厚さ: 0.3±0.03
THICKNESS: 0.3±0.03/-0.03



適合金めっきFFC推奨寸法
APPLICABLE FFC OF GOLD
PLATING RECOMMENDED DIMENSION
仕上がり厚さ: 0.3±0.03
THICKNESS: 0.3±0.03/-0.03

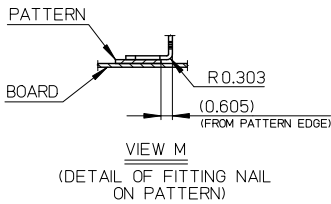


DETAIL L



参考基板レイアウト
(マウント面)

RECOMMENDED P.C.B. BOARD
PATTERN DIMENSION(REF.)
(MOUNTING SIDE)



VIEW M
(DETAIL OF FITTING NAIL
ON PATTERN)

注記NOTES

1.使用材料

MATERIAL

ハウジング: 46ナイロン、ガラス充填、UL94V-0、白
HOUSING: PA46, GLASS FILLED, UL94V-0, WHITE
アクチュエータ: ポリフェニレンサルファイド (PPS)、ガラス充填、UL94V-0、黒
ACTUATOR: POLYPHENYLENE SULFIDE, GLASS FILLED, UL94V-0, BLACK
ターミナル: リン青銅、ニッケル下地金めっき (t=0.2)
TERMINAL: PHOSPHOR BRONZE, GOLD OVER NICKEL PLATING
金具: リン青銅、ニッケル下地金めっき (t=0.2)
FITTING NAIL: PHOSPHOR BRONZE, TIN OVER NICKEL PLATING

2.エンボスステップ梱包時は、アクチュエータがロックした状態になります。

IN THE PACKAGE, ACTUATOR OF PART
NO.52745-**-59 SHOULD BE LOCKED.

③ ソルダータール半田付け面のズレ量、及び金具半田付け面のズレ量は、
基準面Hに対して上方向に0.1MAXIMUM、下方向0.15MAXIMUMとする。
MISALIGNMENT OF SOLDER TAILS AND FITTING NAILS FROM
DATUM-H.

UPPER DIRECTION: 0.1 MAXIMUM
LOWER DIRECTION: 0.15 MAXIMUM

④ 偶数極に適用

APPLY FOR EVEN CIRCUIT.

⑤ ハ・ターン制動止め金具

FITTING NAIL FOR PREVENTION OF PEELING OF P.W.B. PATTERN.

⑥ R0.3は、FPCの胴体部にかからないこと

R0.3 MUST NOT BE OVERLAPED TO PATTERN OF FPC.

7.ELV 及び RoHS 適合品

ELV AND RoHS COMPLIANT

FPCについて:

打抜き方向は導体側から補強板を推奨致します。

補強フィルム材質はポリイミドを推奨致します。

接着剤は熱硬化接着剤を推奨致します。

ABOUT FPC:

RECOMMENDED PUNCHER DIRECTION : FROM CONDUCTOR SIDE TO STIFFENER BOARD SIDE.

RECOMMENDED MATERIAL :

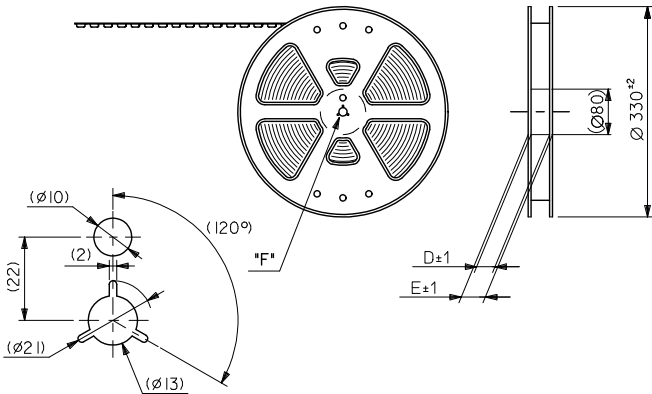
STIFFENER FILM : POLYIMIDE

BONDING AGENT : THERMOSETTING BONDING AGENT

REVISED EC NO. J2011-0041 DRAWN BY: 2010/07/08 M.NABE CHECKED BY: 2010/07/08 K.TOJO APPROVED BY: 2010/07/16 N.UKITA	GENERAL TOLERANCES (UNLESS SPECIFIED)		DIMENSION STYLE MM ONLY		SCALE 5:1	DESIGN UNITS METRIC	THIRD ANGLE PROJECTION
	10 UNDER	± ---	DRAWN BY M.NABE	DATE '05/02/14	TITLE 0.5 FPC CONN. ZIF FOR SMT R/A (UPPER CONTACT) GOLD PLATING		
	10 OVER 30 UNDER	± ---	CHECKED BY K.TOJO	DATE '05/02/14	MOLEX INCORPORATED		
	30 OVER	± ---	APPROVED BY N.UKITA	DATE '05/02/14	DOCUMENT NO. SD-52745-050		
ANGULAR ± --- °		DRAFT WHERE APPLICABLE MUST REMAIN WITHIN DIMENSIONS		MATERIAL NO. SEE TABLE		SHEET NO. 2 OF 2	
SIZE A3				THIS DRAWING CONTAINS INFORMATION THAT IS PROPRIETARY TO MOLEX INCORPORATED AND SHOULD NOT BE USED WITHOUT WRITTEN PERMISSION			

10 9 8 7 6 5 4 3 2 1

引き出し方向
PULL OUT
DIRECTION



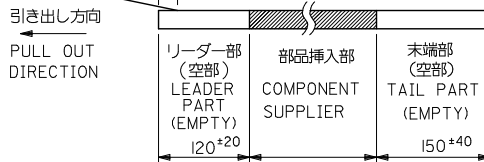
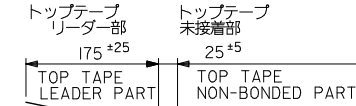
DETAIL "F"

5. 材料 キャリアテープ: ポリプロピレン (PP)
 トップテープ: PET, PE, PEF
 リール: ポリスチレン (PS) <リサイクル材を含む>
 MATERIAL CARRIER TAPE: POLYPROPYLENE
 TOP TAPE: PET, PE, PEF
 REEL: POLYSTYRENE (PS)
 <RECYCLE MATERIAL CONTAINED>

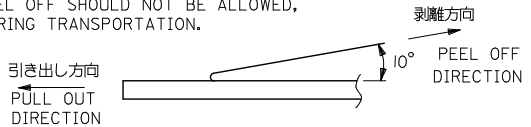
6. 本製品は 52745- **90 の鉛フリー品である。
 THIS PRODUCT IS LEAD FREE OF 52745- **90
 7. 本製品は乾燥剤入り、ハイバリア梱包仕様である。
 THIS PRODUCT IS HIGH BARRIER PACKAGE WITH DESICCANT.

注記 NOTES

- 製品番号 52745- **59 の梱包状態はアクチュエータがロックした状態とする。
 詳細寸法については図面 SD-52745-050 を参照下さい。
 IN THE PACKAGE, ACTUATOR OF PART NO.52745- **59 SHOULD BE LOCKED
 RE DETAILED DIMENSIONS, SEE SD-52745-050.
- 梱包数量: 1000個/リール
 NUMBER OF CONNECTORS: 1000PCS/REEL
- リードテープ長さ LEAD TAPE LENGTH



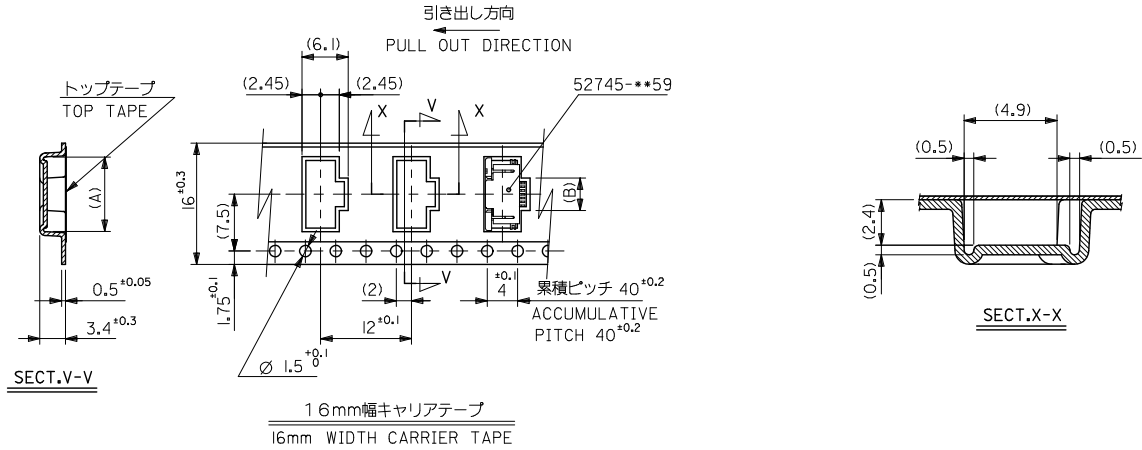
- トップテープの剥離強度: (剥離方向は下図参照)
 0.1N~1.3N (10gf~130gf) 尚、本規格値は、出荷時に適用。
 (但し、輸送時に剥離が発生しない事。)
 PEELING OFF FORCE OF TOP TAPE:
 0.1N~1.3N (10gf~130gf) (PEELING DIRECTION AS SHOWN IN FOLLOWING FIG.)
 THIS REQUIREMENT SHOULD BE APPLIED AT SHIPMENT
 PEEL OFF SHOULD NOT BE ALLOWED,
 DURING TRANSPORTATION.



52745- **97 | MODEL NO.

REVISED EC NO. J2009-2061 DRAWN: KON 2009/05/20 CHKD: MATSUMOTO 2009/05/21 APPR: UKITA 2009/05/21	GENERAL TOLERANCES (UNLESS SPECIFIED)		DIMENSION STYLE MM ONLY		SCALE ---	DESIGN UNITS METRIC	THIRD ANGLE PROJECTION
	10 UNDER	±---	DRAWN BY M. NABEI	DATE '05/02/14	TITLE 0.5 FPC CONN UPR CONT EMBSTP PKG -LEAD FREE-		
	10 OVER 30 UNDER	±---	CHECKED BY K. TOJO	DATE '05/02/14			
	30 OVER	±---	APPROVED BY N. UKITA	DATE '05/02/14			
ANGULAR	±---°	MATERIAL NO.		DOCUMENT NO.		SHEET NO.	
DRAFT WHERE APPLICABLE MUST REMAIN WITHIN DIMENSIONS		SEE TABLE		SD-52745-051		1 OF 3	
THIS DRAWING CONTAINS INFORMATION THAT IS PROPRIETARY TO MOLEX INCORPORATED AND SHOULD NOT BE USED WITHOUT WRITTEN PERMISSION							

10 9 8 7 6 5 4 3 2 1



16	21.4	17.4	2.8	8.4	52745-0497	4
キャリアテープ幅 CARRIER TAPE WIDTH	E	D	(B)	(A)	MATERIAL NO.	極致 CIRCUIT
GENERAL TOLERANCES (UNLESS SPECIFIED)		DIMENSION STYLE MM ONLY		SCALE ---	DESIGN UNITS METRIC	THIRD ANGLE PROJECTION
10 UNDER	±---	DRAWN BY M.NABEI		DATE '05/02/14	TITLE 0.5 FPC CONN UPR CONT EMBSTP PKG -LEAD FREE-	
10 OVER 30 UNDER	±---	CHECKED BY K.TOJO		DATE '05/02/14	APPROVED BY N.UKITA	
30 OVER	±---	APPROVED BY N.UKITA		DATE '05/02/14	MATERIAL NO. SEE TABLE	
ANGULAR	±---°	DRAFT WHERE APPLICABLE MUST REMAIN WITHIN DIMENSIONS		DOCUMENT NO. SD-52745-051		SHEET NO. 2 OF 3
THIS DRAWING CONTAINS INFORMATION THAT IS PROPRIETARY TO MOLEX INCORPORATED AND SHOULD NOT BE USED WITHOUT WRITTEN PERMISSION						

9 8 7 6 5 4 3 2 1 EN-02JA(021)

