

Excellent Integrated System Limited

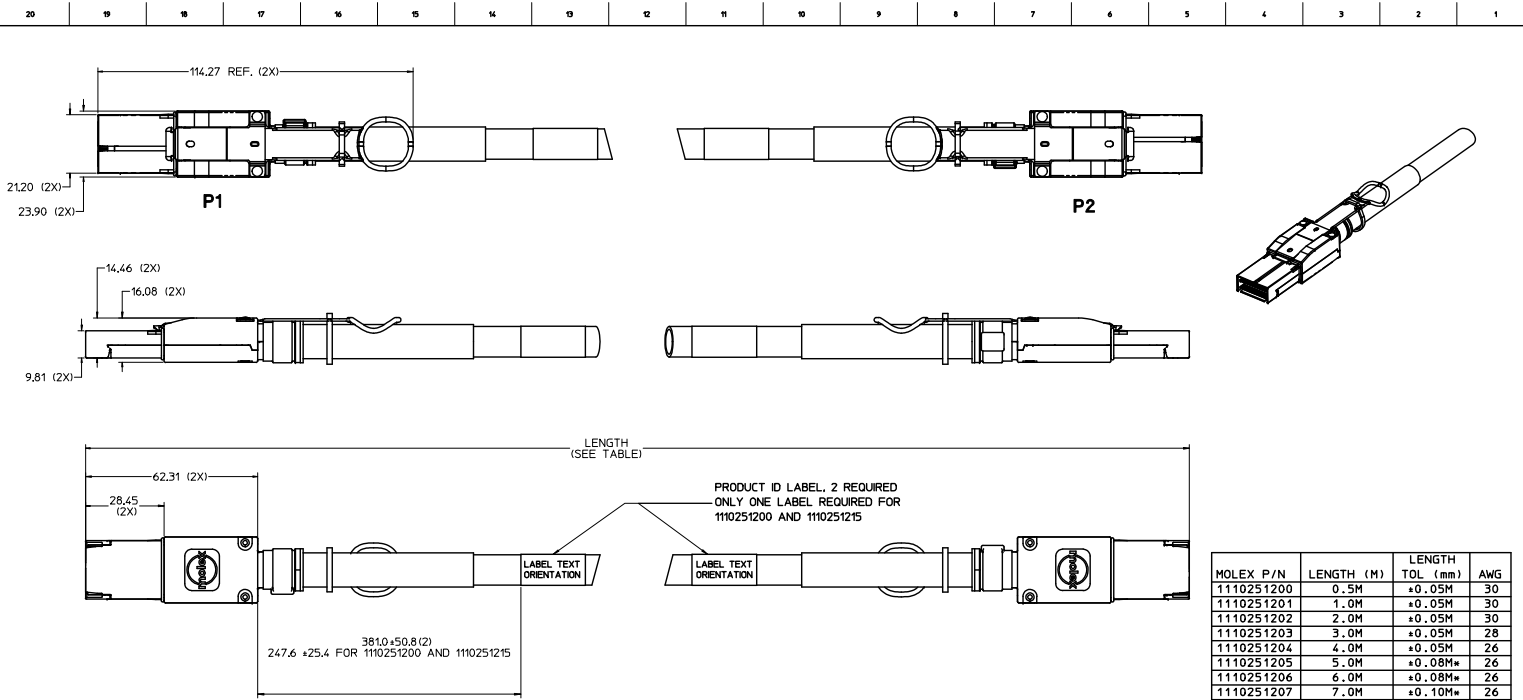
Stocking Distributor

Click to view price, real time Inventory, Delivery & Lifecycle Information:

[Molex Connector Corporation](#)
[1110251201](#)

For any questions, you can email us directly:

sales@integrated-circuit.com



NOTES:

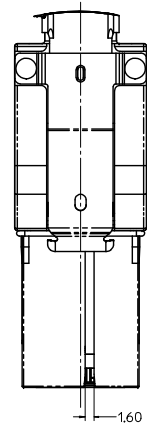
- MATERIALS
HOUSINGS: ZINC DIE CAST
CONTACTS: Au FLASH OVER Ni PLATING
PULL: NYLON
- CHARACTERISTIC DIFFERENTIAL IMPEDANCE: 100 OHMS
- CABLE ASSEMBLIES MEET UL94-V0 PER FILE E72548 VOL. 1
- CABLE JACKETS ARE CL2 RATED
- ASSEMBLIES COMPLY WITH IBTA CXP INTERFACE SPECIFICATION EXCEPT AS NOTED.
- MATING CONNECTOR: 76105-0584
- RoHS COMPLIANT, NO EXEMPTIONS.

* THIS LENGTH WILL NOT MEET THE IBTA SPECIFICATION FOR INSERTION LOSS.

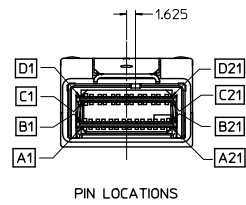
QUALITY SYMBOLS	GENERAL TOLERANCES (UNLESS SPECIFIED)		DIMENSION STYLE		SCALE	DESIGN UNITS	THIRD ANGLE PROJECTION
	mm	INCH	MM ONLY	TITLE			
∇=0	4 PLACES ±---	±---	KWEBER	2008/05/20	1:5:1	METRIC	84CKT PASSIVE CABLE ASSEMBLY QDR INFIBAND
∇=0	3 PLACES ±---	±---	CHECKED BY	DATE			
∇=0	2 PLACES ±0.13	±---	DOOYE	2008/05/20			
∇=0	1 PLACE ±0.25	±---	APPROVED BY	DATE			
∇=0	0 PLACE ±---	±---	DOOYE	2010/10/26			
SEE DIMENSION TABLE	ANGULAR ±1/2°		PATERSON NO.		DOCUMENT NO.		SHEET NO.
EC NO. 020205-0329	DRAFT WHERE APPLICABLE MUST REMAIN WITHIN DIMENSIONS		SEE P/N TABLE		SD-111025-120		1 OF 3
EC NO. 020205-0329					molex		
DRWN/APP/CHK/CRG/APP/PRV/INR/RELE							
K							
20/09/08							
20/07/15							
ZHU/0010							
NEW							

WIRING CHART

P1				P2				P1				P2			
PIN	F	SIGNAL	TYPE	PIN	F	SIGNAL	TYPE	PIN	F	SIGNAL	TYPE	PIN	F	SIGNAL	TYPE
A1	L	GND	C C	C1	L	GND	C C	A1	L	GND	C C	C1	L	GND	C C
A2	S	Tx1p	----->	C2	S	Rx1p	-----<	A2	S	Tx1p	----->	C2	S	Rx1p	-----<
A3	S	Tx1n	----->	C3	S	Rx1n	-----<	A3	S	Tx1n	----->	C3	S	Rx1n	-----<
A4	L	GND	C C	C4	L	GND	C C	A4	L	GND	C C	C4	L	GND	C C
A5	S	Tx3p	----->	C5	S	Rx3p	-----<	A5	S	Tx3p	----->	C5	S	Rx3p	-----<
A6	S	Tx3n	----->	C6	S	Rx3n	-----<	A6	S	Tx3n	----->	C6	S	Rx3n	-----<
A7	L	GND	C C	C7	L	GND	C C	A7	L	GND	C C	C7	L	GND	C C
A8	S	Tx5p	----->	C8	S	Rx5p	-----<	A8	S	Tx5p	----->	C8	S	Rx5p	-----<
A9	S	Tx5n	----->	C9	S	Rx5n	-----<	A9	S	Tx5n	----->	C9	S	Rx5n	-----<
A10	L	GND	C C	C10	L	GND	C C	A10	L	GND	C C	C10	L	GND	C C
A11	S	Tx7p	----->	C11	S	Rx7p	-----<	A11	S	Tx7p	----->	C11	S	Rx7p	-----<
A12	S	Tx7n	----->	C12	S	Rx7n	-----<	A12	S	Tx7n	----->	C12	S	Rx7n	-----<
A13	L	GND	C C	C13	L	GND	C C	A13	L	GND	C C	C13	L	GND	C C
A14	S	Tx9p	----->	C14	S	Rx9p	-----<	A14	S	Tx9p	----->	C14	S	Rx9p	-----<
A15	S	Tx9n	----->	C15	S	Rx9n	-----<	A15	S	Tx9n	----->	C15	S	Rx9n	-----<
A16	L	GND	C C	C16	L	GND	C C	A16	L	GND	C C	C16	L	GND	C C
A17	S	Tx11p	----->	C17	S	Rx11p	-----<	A17	S	Tx11p	----->	C17	S	Rx11p	-----<
A18	S	Tx11n	----->	C18	S	Rx11n	-----<	A18	S	Tx11n	----->	C18	S	Rx11n	-----<
A19	L	GND	C C	C19	L	GND	C C	A19	L	GND	C C	C19	L	GND	C C
A20	S	SCL	█	C20	S	PRSN	█	A20	S	SCL	█	C20	S	PRSN	█
A21	S	SDA	█	C21	S	Int_L/Reset_L	█	A21	S	SDA	█	C21	S	Int_L/Reset_L	█
B1	L	GND	C C	D1	L	GND	C C	B1	L	GND	C C	D1	L	GND	C C
B2	S	Tx0p	----->	D2	S	Rx0p	-----<	B2	S	Tx0p	----->	D2	S	Rx0p	-----<
B3	S	Tx0n	----->	D3	S	Rx0n	-----<	B3	S	Tx0n	----->	D3	S	Rx0n	-----<
B4	L	GND	C C	D4	L	GND	C C	B4	L	GND	C C	D4	L	GND	C C
B5	S	Tx2p	----->	D5	S	Rx2p	-----<	B5	S	Tx2p	----->	D5	S	Rx2p	-----<
B6	S	Tx2n	----->	D6	S	Rx2n	-----<	B6	S	Tx2n	----->	D6	S	Rx2n	-----<
B7	L	GND	C C	D7	L	GND	C C	B7	L	GND	C C	D7	L	GND	C C
B8	S	Tx4p	----->	D8	S	Rx4p	-----<	B8	S	Tx4p	----->	D8	S	Rx4p	-----<
B9	S	Tx4n	----->	D9	S	Rx4n	-----<	B9	S	Tx4n	----->	D9	S	Rx4n	-----<
B10	L	GND	C C	D10	L	GND	C C	B10	L	GND	C C	D10	L	GND	C C
B11	S	Tx6p	----->	D11	S	Rx6p	-----<	B11	S	Tx6p	----->	D11	S	Rx6p	-----<
B12	S	Tx6n	----->	D12	S	Rx6n	-----<	B12	S	Tx6n	----->	D12	S	Rx6n	-----<
B13	L	GND	C C	D13	L	GND	C C	B13	L	GND	C C	D13	L	GND	C C
B14	S	Tx8p	----->	D14	S	Rx8p	-----<	B14	S	Tx8p	----->	D14	S	Rx8p	-----<
B15	S	Tx8n	----->	D15	S	Rx8n	-----<	B15	S	Tx8n	----->	D15	S	Rx8n	-----<
B16	L	GND	C C	D16	L	GND	C C	B16	L	GND	C C	D16	L	GND	C C
B17	S	Tx10p	----->	D17	S	Rx10p	-----<	B17	S	Tx10p	----->	D17	S	Rx10p	-----<
B18	S	Tx10n	----->	D18	S	Rx10n	-----<	B18	S	Tx10n	----->	D18	S	Rx10n	-----<
B19	L	GND	C C	D19	L	GND	C C	B19	L	GND	C C	D19	L	GND	C C
B20	M	VCC3_3-Tx	█	D20	M	VCC3_3-Rx	█	B20	M	VCC3_3-Tx	█	D20	M	VCC3_3-Rx	█
B21	M	VCC12-Tx	█	D21	M	VCC12-Rx	█	B21	M	VCC12-Tx	█	D21	M	VCC12-Rx	█



POLARIZATION FOR IBTA



PIN LOCATIONS

FINGER CONTACT MATING (F):

- L = FIRST MATE (LONG FINGERS)
- M = SECOND MATE (MIDDLE FINGERS)
- S = LAST MATE (SHORT FINGERS)

CONNECTION TYPE:

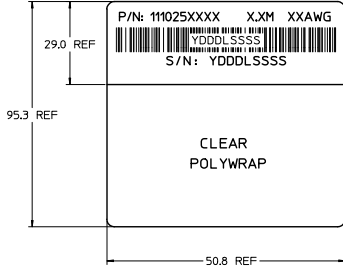
- C = COMMON GROUND
- > = TRANSMIT TO RECEIVE ON HIGH SPEED PAIRS
- █ = CONNECTION TO A CIRCUIT ON THE PADDLE CARD

<p>QUALITY SYMBOLS</p> <p>∇=0</p> <p>∇=0</p> <p>∇=0</p>	<p>GENERAL TOLERANCES (UNLESS SPECIFIED)</p> <p>mm INCH</p> <p>4 PLACES ±--- ±---</p> <p>3 PLACES ±--- ±---</p> <p>2 PLACES ±0.13 ±---</p> <p>1 PLACE ±0.25 ±---</p> <p>0 PLACE ±--- ±---</p>	<p>DIMENSION STYLE</p> <p>MM ONLY</p>	<p>SCALE</p> <p>3:1</p>	<p>DESIGN UNITS</p> <p>METRIC</p>	<p>THIRD ANGLE PROJECTION</p>	
	<p>DRAWN BY</p> <p>KWEBER</p>	<p>DATE</p> <p>2008/05/20</p>	<p>TITLE</p> <p>84CKT PASSIVE CABLE ASSEMBLY QDR INFINIBAND</p>			
	<p>CHECKED BY</p> <p>DDOYE</p>	<p>DATE</p> <p>2008/05/20</p>	<p>APPROVED BY</p> <p>DDOYE</p>	<p>DATE</p> <p>2010/10/26</p>		
	<p>ANGULAR ±1/2°</p>		<p>SEE P/N TABLE</p>	<p>DOCUMENT NO.</p> <p>SD-111025-120</p>	<p>SHEET NO.</p> <p>2 OF 3</p>	

DRAFT WHERE APPLICABLE MUST REMAIN WITHIN DIMENSIONS

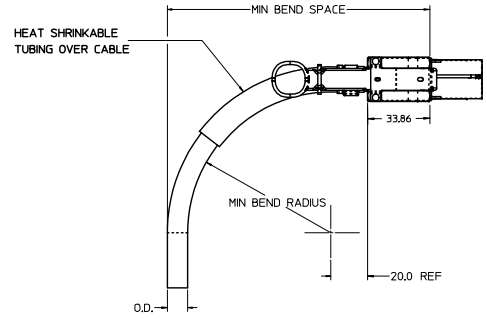
THIS DRAWING CONTAINS INFORMATION THAT IS PROPRIETARY TO MOLEX INCORPORATED AND SHOULD NOT BE USED WITHOUT WRITTEN PERMISSION

CABLE LABEL



P/N: SEE P/N TABLE
X.XM: CABLE LENGTH (AS SHOWN FROM P/N TABLE)
XXAWG: CABLE GAUGE (SEE P/N TABLE)

S/N: YDDLSSSS
Y = YEAR, LAST DIGIT OF YEAR
DDD = DAY OF THE YEAR
L = LOCATION CODE
(1=USA, 2=MEXICO, 3=CHINA)
SSSS = SERIAL NUMBER (0001-9999)



CABLE AWG	O. D.	MINIMUM BEND RADIUS (mm)	MINIMUM BEND SPACE (mm)
30	9.78	69	133
28	11.05	79	143
26	13.21	96	160

SEE REVISION TABLE ECN NO. 112205-0399 DRAWN BY: CHEN/SHEN/NA CHECKED BY: CHEN/SHEN/NA APPROVED BY: CHEN/SHEN/NA DATE: 2010/07/15 2010/07/15	QUALITY SYMBOLS ∇=0 ∇=1 ∇=2 ∇=3	GENERAL TOLERANCES (UNLESS SPECIFIED) mm INCH 4 PLACES ±--- ±--- 3 PLACES ±--- ±--- 2 PLACES ±0.13 ±--- 1 PLACE ±0.25 ±--- 0 PLACE ±--- ±---	DIMENSION STYLE MM ONLY DRAWN BY: KWEBER DATE: 2008/05/20 CHECKED BY: DDOYE DATE: 2008/05/20 APPROVED BY: DDOYE DATE: 2010/10/26	SCALE 1:1 DESIGN UNITS METRIC THIRD ANGLE PROJECTION	TITLE 84CKT PASSIVE CABLE ASSEMBLY QDR INFINIBAND molex	WATERMARK SEE P/N TABLE DRAFT WHERE APPLICABLE MUST REMAIN WITHIN DIMENSIONS	DOCUMENT NO. SD-111025-120 SHEET NO. 3 OF 3
	THIS DRAWING CONTAINS INFORMATION THAT IS PROPRIETARY TO MOLEX INCORPORATED AND SHOULD NOT BE USED WITHOUT WRITTEN PERMISSION						
	INCORPORATED AND SHOULD NOT BE USED WITHOUT WRITTEN PERMISSION						
	INCORPORATED AND SHOULD NOT BE USED WITHOUT WRITTEN PERMISSION						