

BODY: PBT THERMOPLASTIC DIELECTRIC STRENGTH, IN AIR, 125 MILS 490/V-MIL
 PER ASTM D 149 FLAMMABILITY RATING, UL94V-0. UL FILE NO. E53829.

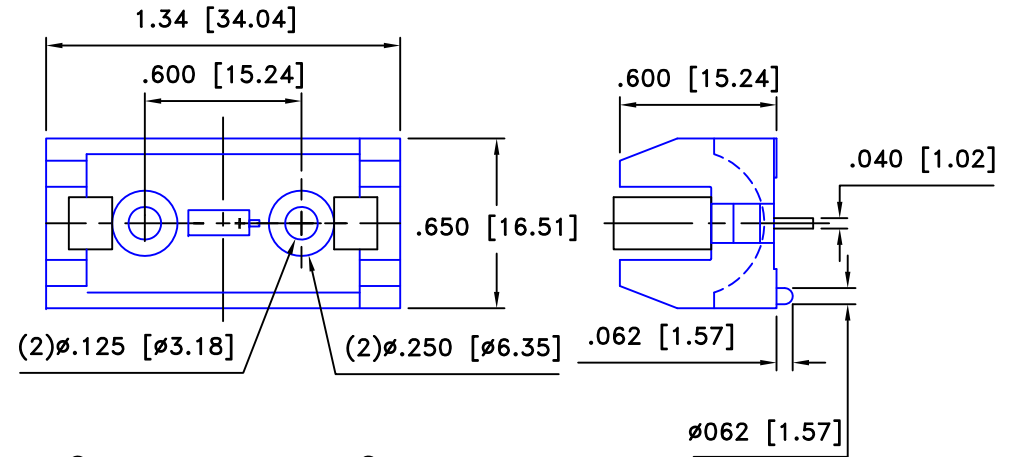
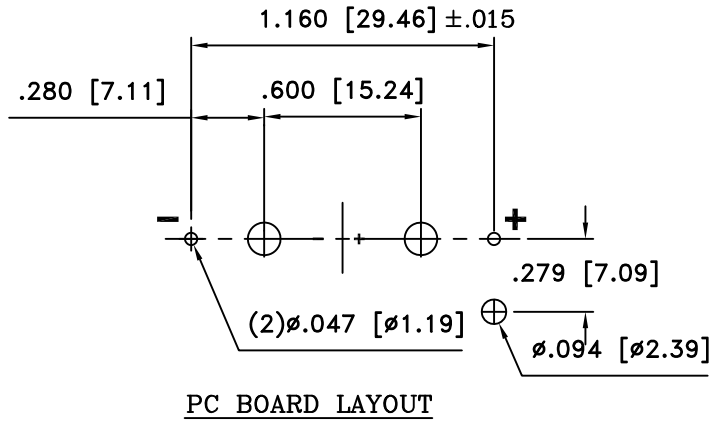
COVER: ABS RESIN R/C 100° PER ASTM D 785 VICAT SOFTENING TEMP. 90°C PER ASTM D 1525
 FLAMMABILITY RATING, UL94V-0. UL FILE NO. E56070

CONTACTS: #301 SPRING TEMPER STAINLESS STEEL, NICKEL PLATED .0005" MIN THICKNESS, OVERALL
 TYPICAL EYELET: STIMPSON # A1737 .122 O.D.x.230 FLANGE(OR EQUAL)

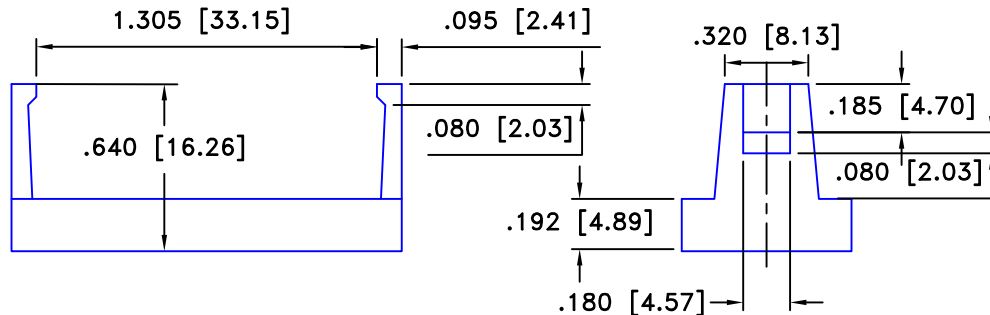
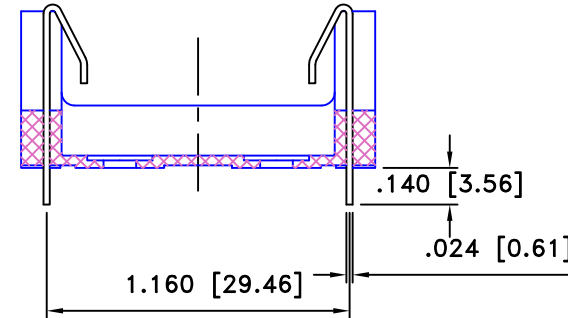
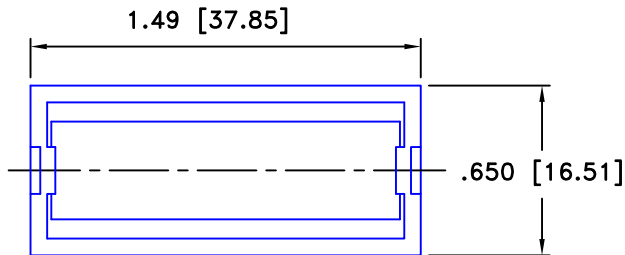
ROHS 2 COMPLIANT

Date	SYM	REVISION RECORD	AUTH	DR.	CK.
1/07/06	A	ADDED "ROHS COMPLIANT"	T.B.	B.S.	
3/14/14	B	UPDATED TO ROHS 2 COMPLIANT	T.B.	B.S.	
4/11/14	C	Dim. 1.34 was 1.36	T.B.	B.S.	
7/25/14	D	Changed contact material to #301	T.B.	B.S.	

BATTERY HOLDER



COVER



Tolerance (Except as noted)	Memory Protection Devices, Inc 200 Broad Hollow Road, Farmingdale, New York 11735		
decimal ±.5 (.020)		Scale 2=1	Drawn By T.S. Approved By T.B.
Fractional ± .8 (.030)	Title 1/2 AA HOLDER, ALSO ACCEPTS 6V CELLS PX28L, 2CRL, L544, K28L (A)		
Angular ± 3°	Date 7/25/14	Drawing Number ABH1/2AA	