

## Excellent Integrated System Limited

Stocking Distributor

Click to view price, real time Inventory, Delivery & Lifecycle Information:

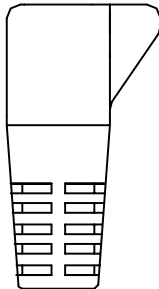
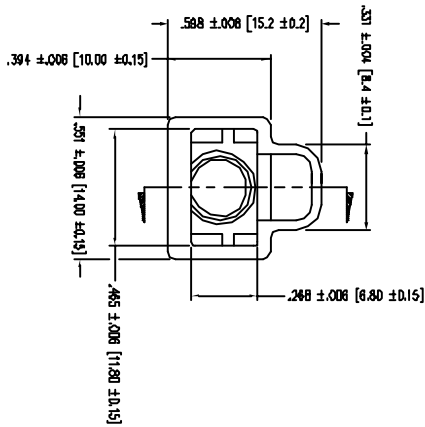
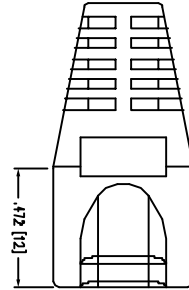
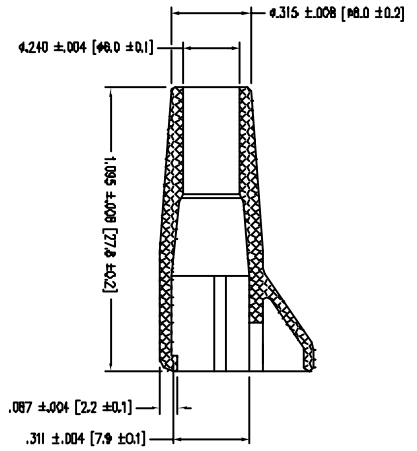
[Bel Fuse Inc.](#)  
[450-024](#)

For any questions, you can email us directly:  
[sales@integrated-circuit.com](mailto:sales@integrated-circuit.com)

REV. 7/5/03

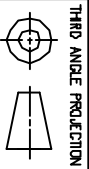
A

B



PART NUMBER	COLOR
450-023	YELLOW
450-024	CLEAR
450-025	BLACK
450-026	GREEN
450-027	BLUE
450-028	LIGHT GREY
450-029	DARK GREY
450-030	PURPLE
450-031	WHITE
450-032	RED

MATERIAL: THERMOPLASTIC UL94 V-0



THIRD ANGLE PROJECTION

DO NOT SCALE DRAWING  
 DRAWING IS SUBJECT TO  
 CHANGE WITHOUT NOTICE  
 DIMENSIONS: METRIC [INCHES]  
 UNLESS OTHERWISE SPECIFIED  
 TOLERANCES ARE: DIMS [F.S.]  
 ANGLES ARE ± 1°

HEET NO. 1 OF 1

**Bel Stewart Connector**  
 11118 Sulingding T'wai South  
 Dan Road, P.O. Box 17287-9100  
 (717) 238-7512 Fax: (717) 238-7864  
<http://www.belstewartconnector.com>

THIS DRAWING AND THE SUBJECT MATTER SHOWN HEREON  
 ARE CONFIDENTIAL AND THE PROPRIETARY PROPERTY OF  
 BEL STEWART CONNECTOR AND SHALL NOT BE REPRODUCED,  
 COPIED OR USED IN ANY MANNER WITHOUT PRIOR WRITTEN  
 CONSENT OF BEL STEWART CONNECTOR. THE SUBJECT  
 MATTER MAY BE FINISHED OR A PART MAY BE FINISHED.

TITLE: EXTERNAL STRAIN RELIEF BOOT

DATE	REV	BY	APP'D. BY
6-28-04	X0	-	-
6-6-04	X1	DS10	TRM
1-11-05	A0	BB81	TRM
5-10-05	B0	7129	JMF
5-12-05	E1	7131	JMF
1-30-06	B2	7413	JM

2

2

1

1

AutoCAD

A

B