

## **Excellent Integrated System Limited**

Stocking Distributor

Click to view price, real time Inventory, Delivery & Lifecycle Information:

[Bel Fuse Inc.](#)  
[SI-46012-F](#)

For any questions, you can email us directly:  
[sales@integrated-circuit.com](mailto:sales@integrated-circuit.com)

THE INFORMATION CONTAINED HEREIN IS CONSIDERED "PROPRIETARY" TO BEL FUSE INC. AND SHALL NOT BE COPIED, REPRODUCED OR DISCLOSED WITHOUT THE WRITTEN APPROVAL OF BEL FUSE INC.

RoHS  
2002/95/EC

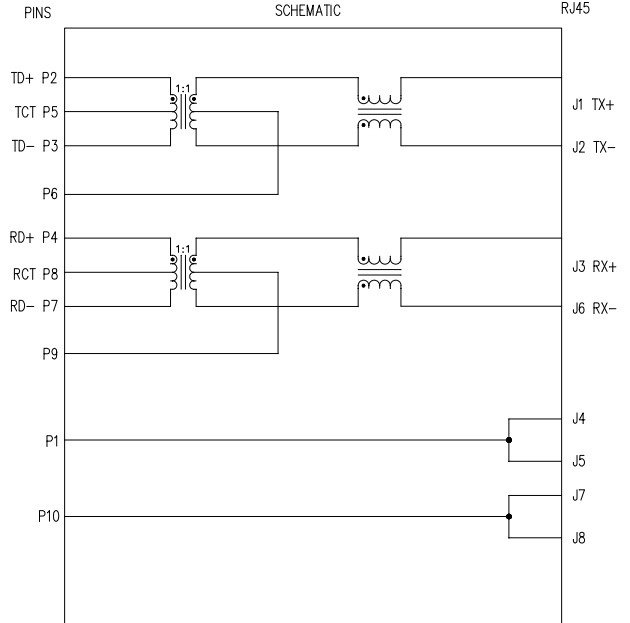


**ELECTRICAL CHARACTERISTICS @ 25°C**

**OPERATING TEMPERATURE RANGE: -40° C TO 85° C**

CURRENT CARRYING CAPABILITY ON UNUSED PAIRS: 3A MAX P9 & P10  
 1.5A MAX J4, J5, J7, & J8

- 1.0 TURNS RATIO: (P2-P3) : (J1-J2) : 1CT : 1CT ± 3%  
 (P4-P7) : (J3-J6) : 1CT : 1CT ± 3%
- 2.0 INDUCTANCE: (P2-P3) : 350uH MIN. @ 0.1V, 100KHz, 8mA DC Bias  
 (P4-P7) : 350uH MIN. @ 0.1V, 100KHz, 8mA DC Bias
- 3.0 DC RESISTANCE: (P2-P3); (P4-P7) : 1.2 OHMS  
 (J1-J2); (J3-J6) : 1.2 OHMS
- 4.0 RETURN LOSS: (P2-P3)=100 OHMS REF. AND (P4-P7)=100 OHM REF.
- 5.0 INSERTION LOSS: 1MHz TO 30MHz : 18dB MIN.  
 31MHz TO 80MHz : 12dB MIN.  
 RS & RL =100 ohms  
 1MHz TO 100MHz : 1.1 dB TYP
- 6.0 CROSS TALK: 1MHz - 100 MHz : 35 dB TYP
- 7.0 DIFFERENTIAL TO COMMON MODE ATTENUATION:  
 1MHz TO 100MHz : 40dB TYP
- 8.0 DIELECTRIC WITHSTAND: (P2-P3) TO (J1-J2) : 1500 Vrms  
 (P4-P7) TO (J3-J6) : 1500 Vrms



NOTES

1.0 COMPLIES WITH THE EUROPEAN DIRECTIVE 2002/95/EC, CALLING FOR THE ELIMINATION OF LEAD AND OTHER HAZARDOUS SUBSTANCES FROM ELECTRONIC PRODUCTS.

<b>ORIGINATED BY</b> Bain Liu	<b>DATE</b> 10-15-08	<b>TITLE</b> <b>MagJack®</b> 10/100BT VERTICAL, SHIELDED	<b>PART NO. / DRAWING NO.</b> SI-46012-F	<b>STANDARD DIM. TOL. IN INCH</b> .X .XX .XXX	[ ] METRIC DIM. AS REFERENCE UNIT : INCH [mm] SCALE : N/A	REV. : 01 SIZE : A4 PAGE : 1	
<b>DRAWN BY</b> LW Yuan	<b>DATE</b> 10-15-08		<b>FILE NAME</b> SI-46012-F.DWG	±0.005			

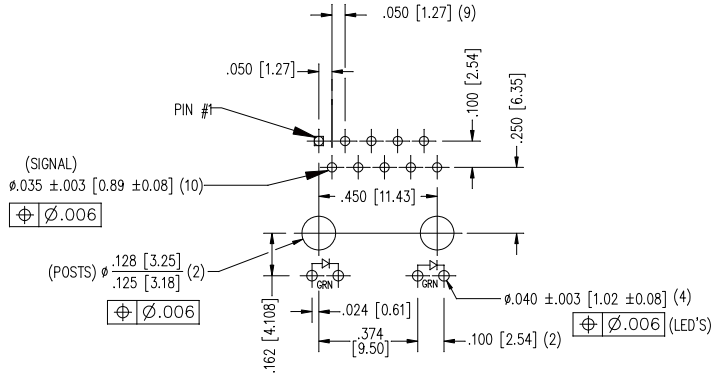
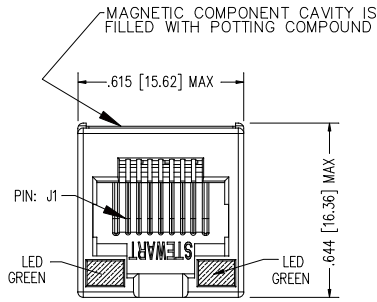
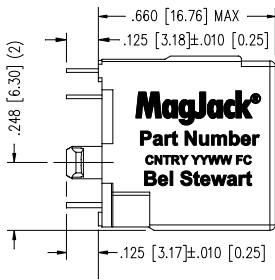


THE INFORMATION CONTAINED HEREIN IS CONSIDERED "PROPRIETARY" TO BEL FUSE INC. AND SHALL NOT BE COPIED, REPRODUCED OR DISCLOSED WITHOUT THE WRITTEN APPROVAL OF BEL FUSE INC.

LED POLARITY  
(ENLARGED VIEW)



SINGLE COLOR LED



P.C.B. RECOMMENDED HOLE LAYOUT  
SEEN FROM COMPONENT SIDE  
ALL CENTERLINE DIMENSIONS ARE BASIC.

NOTES:

- CONNECTOR MATERIALS:  
HOUSING: THERMOPLASTIC UL94 V-0  
CONTACT: COPPER ALLOY  
CONTACT PLATING: SELECTIVE GOLD,  
50 MICRO-INCHES MIN. IN CONTACT AREA.
- PIN NOT ELECTRICALLY CONNECTED MAYBE OMITTED.  
SEE ELECTRICAL DRAWING FOR OMITTED PINS.
- TOLERANCES COMPLY WITH F.C.C. DIMENSION REQUIREMENTS.
- ALL TOLERANCES NOT OTHERWISE SPECIFIED TO BE ±.005 [0.13]
- WAVE SOLDER COMPATIBLE - PREHEAT 125°C/90SECS.

STANDARD LED	* FORWARD VOLTAGE (MAX)	* FORWARD VOLTAGE (TYP)	POWER DISSIPATION	WAVELENGTH	LUMINOUS INTENSITY @ 10mA	
					MIN	MAX
GREEN DIFFUSED	2.6 V	2.25 V	105 mW	555 nm	2 MCD	8 MCD

\* WITH A FORWARD CURRENT OF 20 mA

ORIGINATED BY	DATE	TITLE
Bain Liu	10-15-08	<b>MagJack®</b> 10/100BT VERTICAL, SHIELDED
DRAWN BY	DATE	
LW Yuan	10-15-08	

PART NO. / DRAWING NO.	STANDARD DIM. TOL. IN INCH	[ ] METRIC DIM. AS REFERENCE
SI-46012-F	.X	UNIT : INCH [mm]
FILE NAME	.XX	SCALE : N/A
SI-46012-F.DWG	.XXX ±0.005	REV. : 01
		SIZE : A4
		PAGE : 2

REV. A1 06-30-2008	This drawing is electronically generated. This is a controlled copy if used internally		<b>bel</b> COMPONENTS & CONNECTORS
--------------------	--	--	---------------------------------------