

## **Excellent Integrated System Limited**

Stocking Distributor

Click to view price, real time Inventory, Delivery & Lifecycle Information:

[Bel Fuse Inc.](#)  
[SI-52004-F](#)

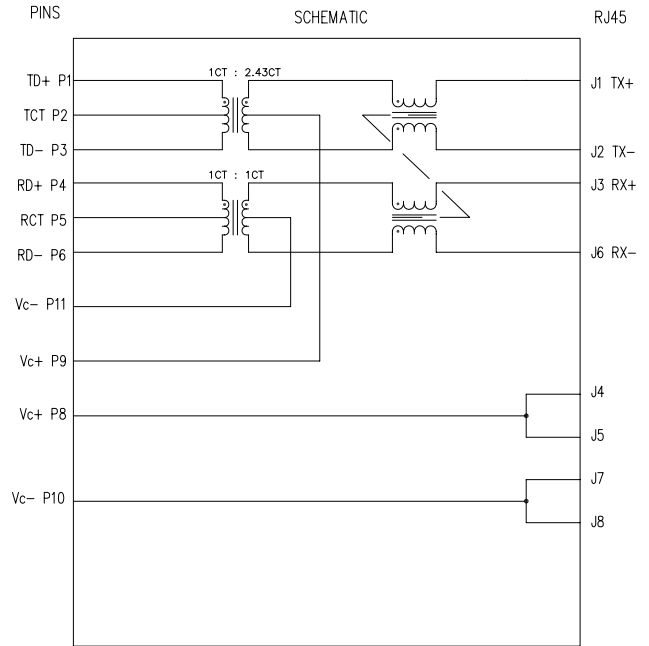
For any questions, you can email us directly:  
[sales@integrated-circuit.com](mailto:sales@integrated-circuit.com)



THE INFORMATION CONTAINED HEREIN IS CONSIDERED "PROPRIETARY" TO BEL FUSE INC. AND SHALL NOT BE COPIED, REPRODUCED OR DISCLOSED WITHOUT THE WRITTEN APPROVAL OF BEL FUSE INC.

**ELECTRICAL CHARACTERISTICS @ 25°C**

1.0 TURNS RATIO:	(P1-P3) : (J1-J2)	: 1CT : 2.43CT ± 2%
	(P4-P6) : (J3-J6)	: 1CT : 1CT ± 2%
3.0 INDUCTANCE:	(P1-P3)	: 45uH MIN. @ 0.1V, 100KHz
	(P4-P6)	: 230uH MIN. @ 0.1V, 100KHz
4.0 RETURN LOSS:	(P1-P3)=100 OHMS REF. AND (P4-P6)=100 OHM REF.	
	1MHz TO 10MHz	: -18dB MIN.
5.0 INSERTION LOSS:	RS & RL =100 ohms	
	1MHz TO 10MHz	: -1.0dB MAX
6.0 CROSS TALK:	1MHz - 10 MHz	: -40dB MIN
7.0 CM TO CM ATTENUATION:	10MHz - 30 MHz	: -40dB MIN
	100MHz	: -30dB MIN
8.0 DIELECTRIC WITHSTAND:	(P1-P3) TO (J1-J2)	: 1500 Vrms
	(P4-P6) TO (J3-J6)	: 1500 Vrms



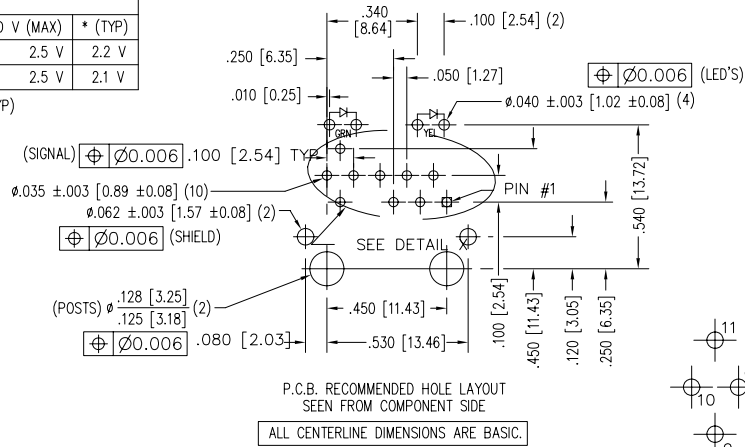
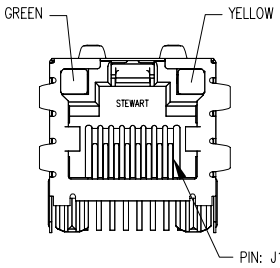
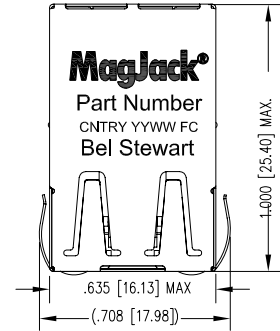
<b>ORIGINATED BY</b> Bain Liu	<b>DATE</b> 12-10-08	<b>TITLE</b> <b>MagJack®</b> POE TAB UP, SHIELDED	<b>PART NO. / DRAWING NO.</b> SI-52004-F	<b>STANDARD DIM.</b> TOL. IN INCH	<input type="checkbox"/> METRIC DIM. AS REFERENCE	<b>bel</b> COMPONENTS PLANT
<b>DRAWN BY</b> LW Yuan	<b>DATE</b> 12-10-08		<b>FILE NAME</b> SI-52004-F.DWG	.X .XX .XXX ±0.005	UNIT : INCH [mm] SCALE : N/A	



THE INFORMATION CONTAINED HEREIN IS CONSIDERED "PROPRIETARY" TO BEL FUSE INC. AND SHALL NOT BE COPIED, REPRODUCED OR DISCLOSED WITHOUT THE WRITTEN APPROVAL OF BEL FUSE INC.

LED SPECIFICATION			
STANDARD LED	WAVELENGTH	FORWARD V (MAX)	* (TYP)
GREEN	565 nm	2.5 V	2.2 V
YELLOW	590 nm	2.5 V	2.1 V

\*WITH A FORWARD CURRENT OF 20 mA (TYP)



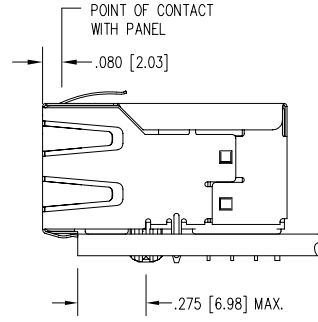
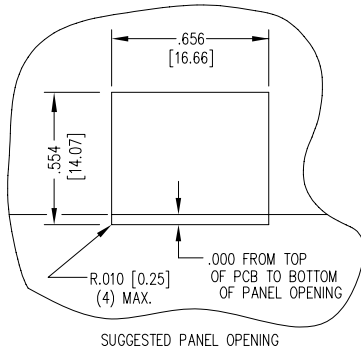
NOTES:

- CONNECTOR MATERIALS:  
 HOUSING: THERMOPLASTIC UL94 V-0  
 CONTACT/SHIELD: COPPER ALLOY  
 SHIELD PLATING: NICKEL OR TIN  
 CONTACT PLATING: SELECTIVE GOLD,  
 50 MICRO-INCHES MIN. IN CONTACT AREA.
- PIN NOT ELECTRICALLY CONNECTED MAYBE OMITTED.  
 SEE ELECTRICAL DRAWING FOR OMITTED PINS.
- TOLERANCES COMPLY WITH F.C.C. DIMENSION REQUIREMENTS.
- ALL TOLERANCES NOT OTHERWISE SPECIFIED TO BE ±.005 [0.13]
- REFLOW AND WAVE SOLDER COMPATIBLE -260°C FOR 10 SECONDS MAX.

ORIGINATED BY Bain Liu	DATE 12-10-08	TITLE <b>MagJack</b> POE TAB UP, SHIELDED	PART NO. / DRAWING NO. SI-52004-F	STANDARD DIM. TOL. IN INCH	[ ] METRIC DIM. AS REFERENCE	bel COMPONENTS & CONDUCTORS PLANNING
DRAWN BY LW Yuan	DATE 12-10-08		FILE NAME SI-52004-F.DWG	.X .XX .XXX ±0.005	UNIT : INCH [mm] SCALE : N/A	



THE INFORMATION CONTAINED HEREIN IS CONSIDERED "PROPRIETARY" TO BEL FUSE INC. AND SHALL NOT BE COPIED, REPRODUCED OR DISCLOSED WITHOUT THE WRITTEN APPROVAL OF BEL FUSE INC.



1. THE SUGGESTED PANEL OPENING IS INTENDED TO GIVE THE USER THE ABILITY TO HAVE REASONABLE JACK / PANEL CLEARANCES YET MAINTAIN RELIABLE GROUNDING CAPABILITY.
2. ALL TOLERANCES NOT OTHERWISE SPECIFIED TO BE  $\pm 0.005$  [0.13]

ORIGINATED BY Bain Liu	DATE 12-10-08	TITLE <b>MagJack®</b> POE TAB UP, SHIELDED	PART NO. / DRAWING NO. SI-52004-F	STANDARD DIM. TOL. IN INCH	[ ] METRIC DIM. AS REFERENCE	bel COMPONENTS PLANNING
DRAWN BY LW Yuan	DATE 12-10-08		FILE NAME SI-52004-F.DWG	.X .XX .XXX	UNIT : INCH [mm] SCALE : N/A ±0.005	