

Excellent Integrated System Limited

Stocking Distributor

Click to view price, real time Inventory, Delivery & Lifecycle Information:

[Bel Fuse Inc.](#)
[SI-60065-F](#)

For any questions, you can email us directly:

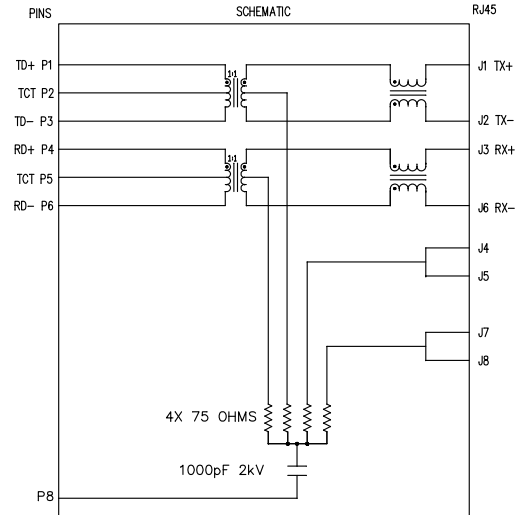
sales@integrated-circuit.com



THE INFORMATION CONTAINED HEREIN IS CONSIDERED "PROPRIETARY" TO BEL FUSE INC. AND SHALL NOT BE COPIED, REPRODUCED OR DISCLOSED WITHOUT THE WRITTEN APPROVAL OF BEL FUSE INC.

ELECTRICAL CHARACTERISTICS @ 25° C

- | | |
|---|--|
| 1.0 TURNS RATIO: (P6-P5-P4) : (J6-J3) | : 1CT : 1CT ± 3% |
| (P3-P2-P1) : (J2-J1) | : 1CT : 1CT ± 3% |
| 2.0 INDUCTANCE: (P6-P4) | : 350uH MIN. @ 0.1V, 100KHz, 8mA DC Bias |
| (P3-P1) | : 350uH MIN. @ 0.1V, 100KHz, 8mA DC Bias |
| 3.0 LEAKAGE INDUCTANCE: P6-P4 (WITH J6 AND J3 SHORT) | : 0.3uH MAX. @ 1MHz |
| P3-P1 (WITH J2 AND J1 SHORT) | : 0.3uH MAX. @ 1MHz |
| 4.0 INTERWINDING CAPACITANCE: (P6,P5,P4) TO (J6,J3) | : 30pF MAX @ 1MHz |
| (P3,P2,P1) TO (J2,J1) | : 30pF MAX. @ 1MHz |
| 5.0 DC RESISTANCE: (J6-J3)=(J2-J1) | : 1.2 ohms Max. |
| <u>RECEIVE</u> | |
| 6.0 RETURN LOSS: 1MHz TO 30MHz | : 18dB MIN. |
| 60MHz TO 80MHz | : 12dB MIN. |
| NOTE: 100 OHMS CONNECTED TO (J2-J1) OR (J6-J3). | |
| 7.0 DIELECTRIC WITHSTAND: (J1, J2) TO (P1, P3) | : 1500 Vrms |
| (J3, J6) TO (P4,P6) | : 1500 Vrms |
| 8.0 INSERTION LOSS: RS=RL=100 ohms | : 1.1 dB TYP |
| 100KHz TO 100MHz | |
| 9.0 RISE TIME: RS=100 OHMS AND RL = 100 OHMS | : 3.0 nS MAX |
| OUTPUT VOLTAGE = 1 V peak | : 3.0 nS MAX |
| PULSE WIDTH= 112nS | |
| 10.0 CROSS TALK: 1MHz TO 100MHz | : 40 dB TYP |
| 11.0 COMMON TO COMMON MODE ATTENUATION: 30MHz TO 100MHz | : 35 dB TYP |



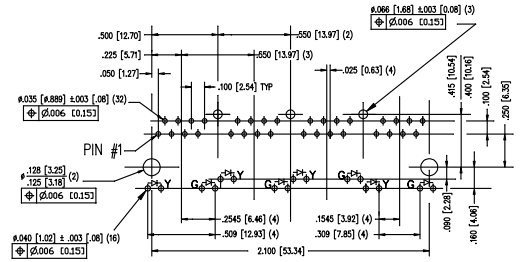
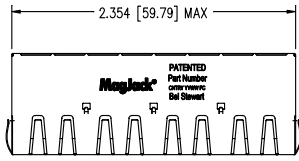
NOTES

- 1.0 PINS WITHOUT ELECTRICAL CONNECTION ARE OMITTED.

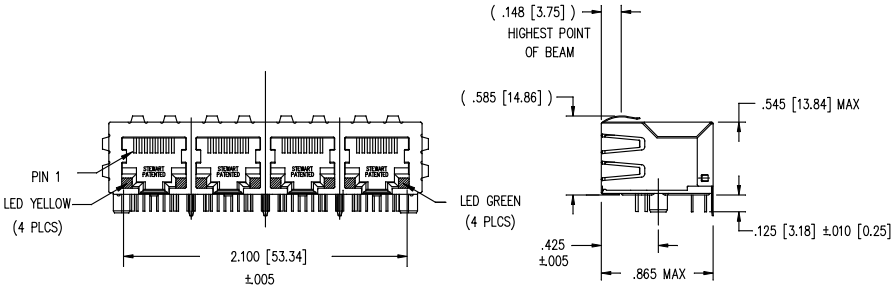
ORIGINATED BY Zeng Xiaochun	DATE 2011-12-08	TITLE MagJack® 10/100BT, SHIELDED PATENTED	PART NO. / DRAWING NO. SI-60065-F	STANDARD DIM. TOL. IN INCH	[] METRIC DIM. AS REFERENCE	bel COMPONENTS FOR A CONNECTED PLANET
			FILE NAME SI-60065-F.DWG	X XX XXX	UNIT : INCH [mm] SCALE : N/A	
DRAWN BY Duan Jun	DATE 2011-12-08			±0.005		



THE INFORMATION CONTAINED HEREIN IS CONSIDERED "PROPRIETARY" TO BEL FUSE INC. AND SHALL NOT BE COPIED, REPRODUCED OR DISCLOSED WITHOUT THE WRITTEN APPROVAL OF BEL FUSE INC.



P.C.B. RECOMMENDED HOLE LAYOUT
 SEEN FROM COMPONENT SIDE
 ALL CENTERLINE DIMENSIONS ARE BASIC



LED SPECIFICATIONS			
STANDARD LED	FORWARD VOLTAGE (MAX)	* FORWARD VOLTAGE (TYP)	WAVELENGTH
YELLOW	2.5 V	2.1 V	590 nm
GREEN	2.6 V	2.25 V	555 nm

* WITH A FORWARD CURRENT OF 20 mA (TYP)

NOTES:

- CONNECTOR MATERIALS:
 HOUSING: THERMOPLASTIC UL94 V-0
 CONTACT/SHIELD: COPPER ALLOY
 SHIELD PLATING: NICKEL OR TIN
 CONTACT PLATING: 50 MICRO-INCH SELECTIVE HARD GOLD PLATING OR EQUIVALENT IN CONTACT AREA
- PIN NOT ELECTRICALLY CONNECTED MAYBE OMITTED. SEE ELECTRICAL DRAWING FOR OMITTED PINS.
- TOLERANCES COMPLY WITH F.C.C. DIMENSION REQUIREMENTS.
- ALL TOLERANCES NOT OTHERWISE SPECIFIED TO BE ±.005 [0.13]
- WAVE SOLDER COMPATIBLE -PREHEAT 125°C/90SECS.

ORIGINATED BY	DATE
Zeng Xiaochun	2011-12-08
DRAWN BY	DATE
Duan Jun	2011-12-08

TITLE	MagJack®
	10/100BT, SHIELDED
	PATENTED

PART NO. / DRAWING NO.	SI-60065-F
FILE NAME	SI-60065-F.DWG

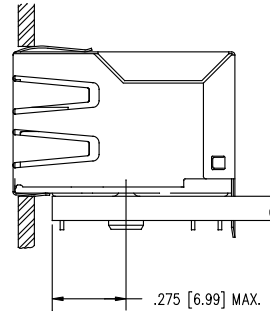
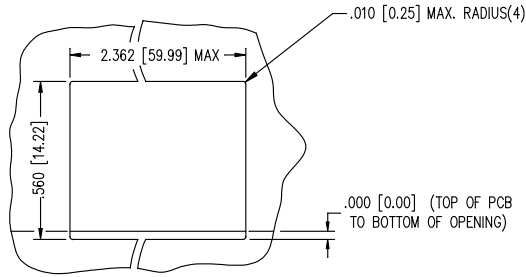
STANDARD DIM.	[] METRIC DIM. AS REFERENCE
TOL. IN INCH	UNIT : INCH [mm]
X	SCALE : N/A
JXX	REV. : A0
JXX	SIZE : A4
±0.005	PAGE : 3

COMPONENTS FOR A COMPLETE PLAN





THE INFORMATION CONTAINED HEREIN IS CONSIDERED "PROPRIETARY" TO BEL FUSE INC. AND SHALL NOT BE COPIED, REPRODUCED OR DISCLOSED WITHOUT THE WRITTEN APPROVAL OF BEL FUSE INC.



NOTES:

1. THE SUGGESTED PANEL OPENING IS INTENDED TO GIVE USER THE ABILITY TO HAVE REASONABLE JACK/PANEL CLEARANCES, YET MAINTAIN GROUNDING CAPABILITY. THESE VARIABLES CAN BE ADJUSTED IN EITHER DIRECTION BUT MAY CARRY SOME CONSEQUENCES IN THE FORM OF LOWER MATING FORCES OR TIGHTER ASSEMBLY TOLERANCES.
2. ALL TOLERANCES NOT OTHERWISE SPECIFIED TO BE ± 0.005 [0.13]

ORIGINATED BY	DATE	TITLE	PART NO. / DRAWING NO.	STANDARD DIM.	[] METRIC DIM. AS REFERENCE		 COMPONENTS FOR A CONNECTED PLANET
Zeng Xiaochun	2011-12-08	MagJack® 10/100BT, SHIELDED PATENTED	SI-60065-F	TOL. IN INCH	UNIT : INCH [mm]	REV. : A0	
DRAWN BY	DATE		FILE NAME	X JXX JXX	SCALE : N/A	SIZE : A4	
Duan Jun	2011-12-08		SI-60065-F.DWG	± 0.005		PAGE : 4	