

## **Excellent Integrated System Limited**

Stocking Distributor

Click to view price, real time Inventory, Delivery & Lifecycle Information:

[Bel Fuse Inc.](#)  
[SI-60114-F](#)

For any questions, you can email us directly:  
[sales@integrated-circuit.com](mailto:sales@integrated-circuit.com)



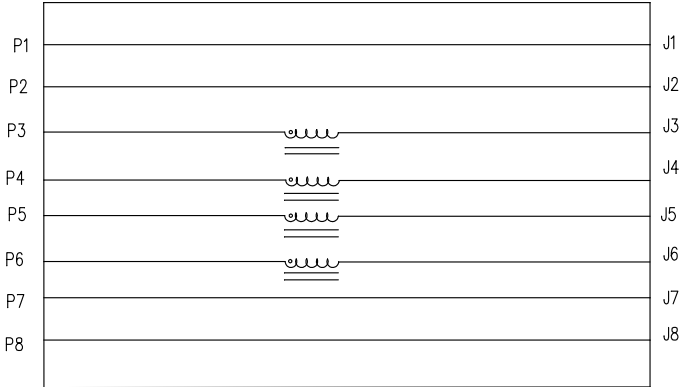
THE INFORMATION CONTAINED HEREIN IS CONSIDERED "PROPRIETARY" TO BEL FUSE INC. AND SHALL NOT BE COPIED, REPRODUCED OR DISCLOSED WITHOUT THE WRITTEN APPROVAL OF BEL FUSE INC.

ELECTRICAL SPECIFICATIONS:

OPERATING TEMPERATURE RANGE:		: -40° C TO +85° C
1.0 INDUCTANCE:	(P3-J3) = (P4-J4) = (P5-J5) = (P6-J6)	: 20 uH MIN @1MHz, 20 mV
2.0 LEAKAGE INDUCTANCE	(P3-J3), SHORT (P4-J4), (P5-J5), (P6-J6)	: 0.20 uH MAX @1MHz, 20 mV
	(P4-J4), SHORT (P3-J3), (P5-J5), (P6-J6)	: 0.20 uH MAX @1MHz, 20 mV
	(P5-J5), SHORT (P3-J3), (P4-J4), (P6-J6)	: 0.20 uH MAX @1MHz, 20 mV
	(P6-J6), SHORT (P3-J3), (P4-J4), (P5-J5)	: 0.20 uH MAX @1MHz, 20 mV
3.0 COUPLING CAPACITANCE	P3 TO P4 TO P5 TO P6 SHORT (P3-J3), (P4-J4), (P5-J5), (P6-J6)	: 20 pF MAX. @1MHz, 20 mV
4.0 DC RESISTANCE	(P3-J3) = (P4-J4) = (P5-J5) = (P6-J6)	: 0.5 OHM MAX
5.0 COMMON MODE ATTENUATION	FREQUENCY (MHz)	dB (MIN)
	0.3	12
	1	19
	10	30
	30	30
	50	35
	100	32
300	25	
500	18	
6.0 HIPOT		: 500 Vrms (REF. DOC. HAND -WORK-03)

PINS

RJ

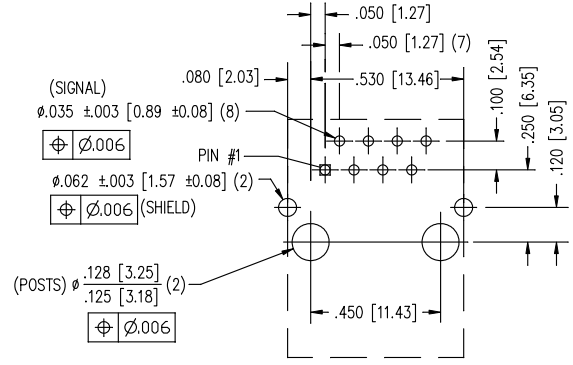
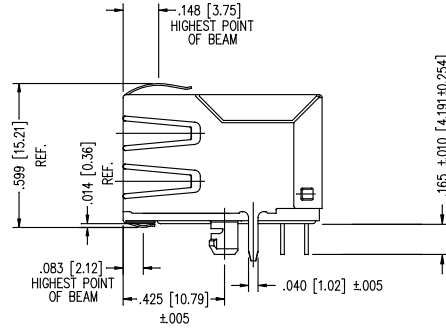
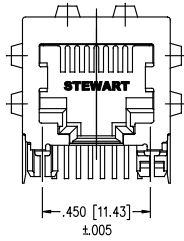
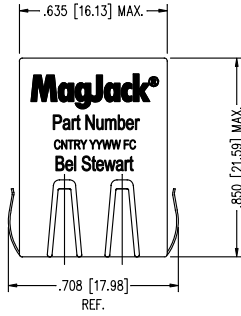


NOTE:  
PINS NOT ELECTRICALLY CONNECTED ARE OMITTED.

ORIGINATED BY <b>Zeng Xiao Chun</b>	DATE <b>2011-11-09</b>	TITLE <b>MagJack® 10/100 BT TAB UP,SHIELDED</b>	PART NO. / DRAWING NO. <b>SI-60114-F</b>	STANDARD DIM. TOL. IN INCH	[ ] METRIC DIM. AS REFERENCE	bel COMPONENTS FOR A CONNECTED PLANET
	DRAWN BY <b>Duan Jun</b>		DATE <b>2011-11-09</b>	FILE NAME <b>SI-60114-F.DWG</b>	.X XX XXX	



THE INFORMATION CONTAINED HEREIN IS CONSIDERED "PROPRIETARY" TO BEL FUSE INC. AND SHALL NOT BE COPIED, REPRODUCED OR DISCLOSED WITHOUT THE WRITTEN APPROVAL OF BEL FUSE INC.



P.C.B. RECOMMENDED HOLE LAYOUT SEEN FROM COMPONENT SIDE

ALL CENTERLINE DIMENSIONS ARE BASIC.

NOTES:

- CONNECTOR MATERIALS:  
 HOUSING: THERMOPLASTIC UL94 V-0  
 CONTACT/SHIELD: COPPER ALLOY  
 SHIELD PLATING: NICKEL OR TIN  
 CONTACT PLATING: SELECTIVE GOLD,  
 50 MICRO-INCHES MIN. IN CONTACT AREA.
- PIN NOT ELECTRICALLY CONNECTED MAYBE OMITTED. SEE ELECTRICAL DRAWING FOR OMITTED PINS.
- TOLERANCES COMPLY WITH F.C.C. DIMENSION REQUIREMENTS.
- ALL TOLERANCES NOT OTHERWISE SPECIFIED TO BE ±.005 [0.13]
- WAVE SOLDER COMPATIBLE - PREHEAT 125°C/90SECS.

ORIGINATED BY	DATE
Zeng Xiao Chun	2011-11-09
DRAWN BY	DATE
Duan Jun	2011-11-09

TITLE
<b>MagJack®</b> 10/100 BT TAB UP,SHIELDED

PART NO. / DRAWING NO.
SI-60114-F
FILE NAME
SI-60114-F.DWG

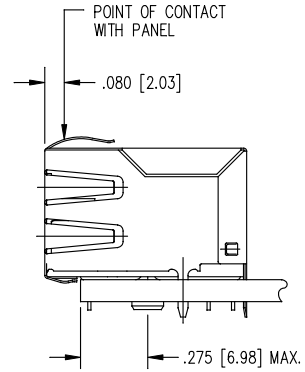
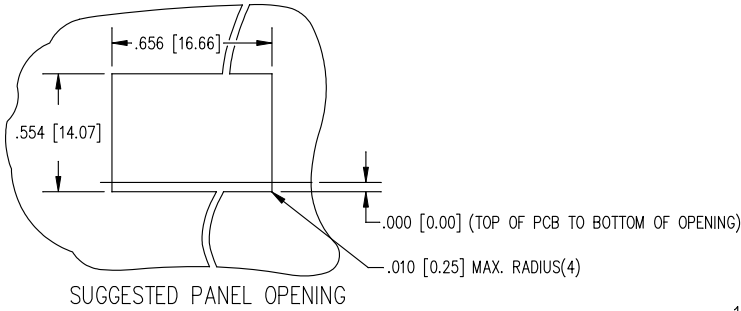
STANDARD DIM.	[ ] METRIC DIM. AS REFERENCE
TOL. IN INCH	UNIT : INCH [mm]
X	REV. : A0
JXX	SCALE : N/A
JXX	SIZE : A4
±.005	PAGE : 3

UNIT : INCH [mm]	REV. : A0
SCALE : N/A	SIZE : A4
SIZE : A4	PAGE : 3





THE INFORMATION CONTAINED HEREIN IS CONSIDERED "PROPRIETARY" TO BEL FUSE INC. AND SHALL NOT BE COPIED, REPRODUCED OR DISCLOSED WITHOUT THE WRITTEN APPROVAL OF BEL FUSE INC.



1. THE SUGGESTED PANEL OPENING IS INTENDED TO GIVE THE USER THE ABILITY TO HAVE REASONABLE JACK / PANEL CLEARANCES YET MAINTAIN RELIABLE GROUNDING CAPABILITY.
2. ALL TOLERANCES NOT OTHERWISE SPECIFIED TO BE  $\pm 0.005$  [0.13]

ORIGINATED BY	DATE	TITLE	PART NO. / DRAWING NO.	STANDARD DIM. TOL. IN INCH	[ ] METRIC DIM. AS REFERENCE	 <small>COMPONENTS FOR A CONNECTED PLANET</small>	
Zeng Xiao Chun	2011-11-09	<b>MagJack®</b> 10/100 BT TAB UP, SHIELDED	SI-60114-F	X	UNIT : INCH [mm]		REV. : A0
DRAWN BY	DATE		FILE NAME	JXX	SCALE : N/A		SIZE : A4
Duan Jun	2011-11-09		SI-60114-F.DWG	JXX	±0.005	PAGE : 4	