

Excellent Integrated System Limited

Stocking Distributor

Click to view price, real time Inventory, Delivery & Lifecycle Information:

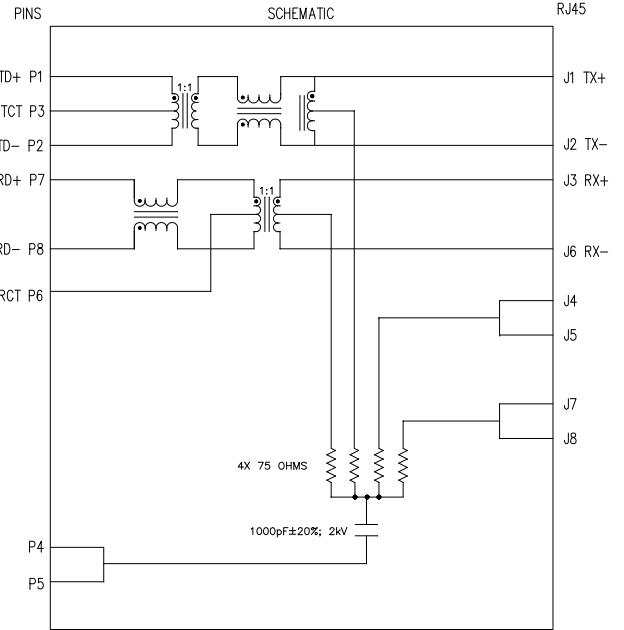
[Bel Fuse Inc.](#)
[SI-60129-F](#)

For any questions, you can email us directly:
sales@integrated-circuit.com

THE INFORMATION CONTAINED HEREIN IS CONSIDERED "PROPRIETARY" TO BEL FUSE INC. AND SHALL NOT BE COPIED, REPRODUCED OR DISCLOSED WITHOUT THE WRITTEN APPROVAL OF BEL FUSE INC.

ELECTRICAL CHARACTERISTICS @ 25°C

- 1.0 TURNS RATIO: (P8-P6-P7) : (J6-J3) : 1CT : 1 ± 3%
 (P2-P3-P1) : (J2-J1) : 1CT : 1 ± 3%
- 2.0 INDUCTANCE: (P7-P8) : 350uH MIN. @ 0.1V, 100KHz, 8mA DC Bias
 (P1-P2) : 350uH MIN. @ 0.1V, 100KHz, 8mA DC Bias
- 3.0 LEAKAGE INDUCTANCE: P8-P7 (WITH J6 AND J3 SHORT) : 0.3 MAX. @ 1MHz
 P2-P1 (WITH J2 AND J1 SHORT) : 0.3 MAX. @ 1MHz
- 4.0 INTERWINDING CAPACITANCE: (P8,P6,P7) TO (J6,J3) : 30pF MAX @ 1MHz
 (P3,P2,P1) TO (J2,J1) : 30pF MAX. @ 1MHz
- 5.0 DC RESISTANCE: (J1-J2) : 1.2 ohms Max.
 (P8-P7) : 1.2 ohms Max.
- RECEIVE
- 6.0 RETURN LOSS: 1MHz TO 30MHz : -18dB MIN.
 30MHz TO 60MHz : -(19-20 LOG (f/30MHz))
 60MHz TO 80MHz : -12dB MIN.
- 7.0 DIELECTRIC WITHSTAND: (J1, J2) TO (P1, P3) : 1500 Vrms
 (J3, J6) TO (P8,P7) : 1500 Vrms
- 8.0 INSERTION LOSS: RS=RL=100 ohms : -1.0 dB MAX
 1MHz TO 65MHz : -1.1 dB MAX
 65MHz TO 100MHz
- 9.0 RISE TIME: RS=100 OHMS AND RL = 100 OHMS : 3.0 nS MAX
 OUTPUT VOLTAGE = 1 V peak : 3.0 nS MAX
 PULSE WIDTH= 112nS
- 10.0 CROSS TALK: 1MHz TO 100MHz : -35 dB TYP
- 11.0 COMMON TO COMMON MODE ATTENUATION:
 1MHz TO 100MHz : -45dB TYP
 100MHz TO 200MHz : -20dB MIN



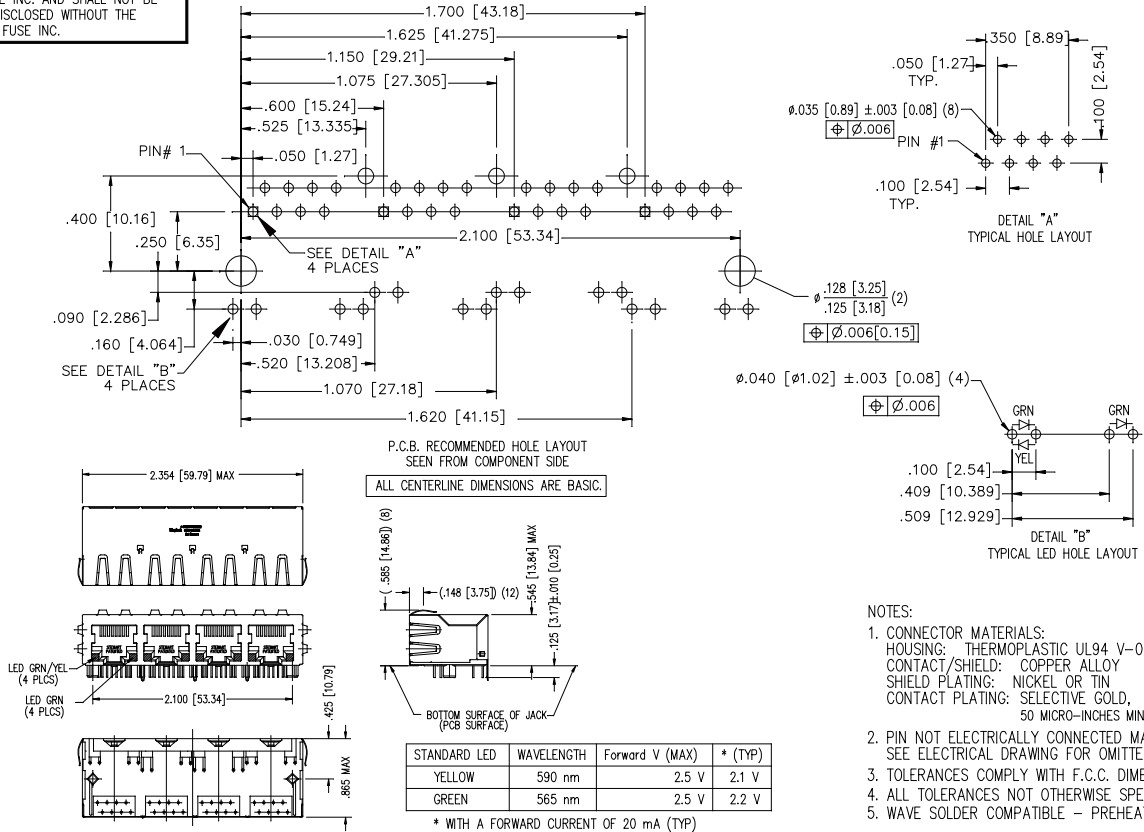
NOTES

- 1.0 PINS WITHOUT ELECTRICAL CONNECTION ARE OMITTED.
- 2.0 ALL RESISTORS ARE ±5% TOLERANCE.

ORIGINATED BY	DATE	TITLE	MagJack	PART NO. / DRAWING NO.	STANDARD DIM.	[] METRIC DIM. AS REFERENCE		
Bain Liu	09-27-08			SI-60129-F	TOL. IN INCH	UNIT : INCH [mm]		REV. : A0
DRAWN BY	DATE		10/100BT TAB DOWN, SHIELDED	FILE NAME	.X	SCALE : N/A		SIZE : A4
LW Yuan	09-27-08			SI-60129-F.DWG	.XX		PAGE : 1	
					.XXX	±0.005		



THE INFORMATION CONTAINED HEREIN IS CONSIDERED "PROPRIETARY" TO BEL FUSE INC. AND SHALL NOT BE COPIED, REPRODUCED OR DISCLOSED WITHOUT THE WRITTEN APPROVAL OF BEL FUSE INC.



ORIGINATED BY
Bain Liu

DATE
09-27-08

DRAWN BY
LW Yuan

DATE
09-27-08

TITLE
MagJack®
10/100BT
TAB DOWN, SHIELDED

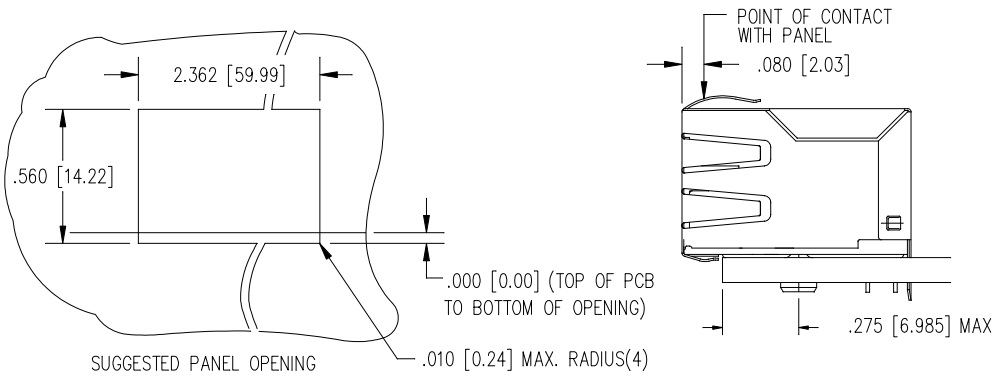
PART NO. / DRAWING NO.
SI-60129-F

FILE NAME
SI-60129-F.DWG

STANDARD DIM. TOL. IN INCH	[] METRIC DIM. AS REFERENCE
.X	UNIT : INCH [mm]
.XX	SCALE : N/A
.XXX	±0.005
	REV. : A0
	SIZE : A4
	PAGE : 2



THE INFORMATION CONTAINED HEREIN IS CONSIDERED "PROPRIETARY" TO BEL FUSE INC. AND SHALL NOT BE COPIED, REPRODUCED OR DISCLOSED WITHOUT THE WRITTEN APPROVAL OF BEL FUSE INC.



1. THE SUGGESTED PANEL OPENING IS INTENDED TO GIVE THE USER THE ABILITY TO HAVE REASONABLE JACK / PANEL CLEARANCES YET MAINTAIN RELIABLE GROUNDING CAPABILITY.
2. ALL TOLERANCES NOT OTHERWISE SPECIFIED TO BE ± 0.005 [0.13]

ORIGINATED BY Bain Liu	DATE 09-27-08	TITLE MagJack® 10/100BT TAB DOWN, SHIELDED	PART NO. / DRAWING NO. SI-60129-F	STANDARD DIM. TOL. IN INCH	<input type="checkbox"/> METRIC DIM. AS REFERENCE	bel COMPONENTS & CONDUCTORS PLANNING
DRAWN BY LW Yuan	DATE 09-27-08		FILE NAME SI-60129-F.DWG	.X .XX .XXX	UNIT : INCH [mm] SCALE : N/A 