

Excellent Integrated System Limited

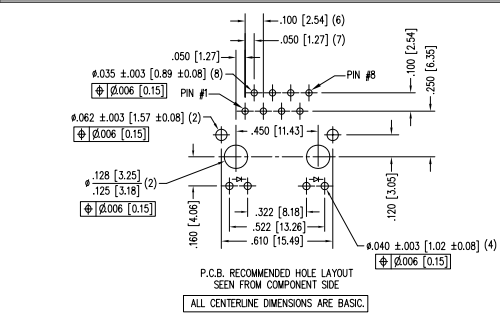
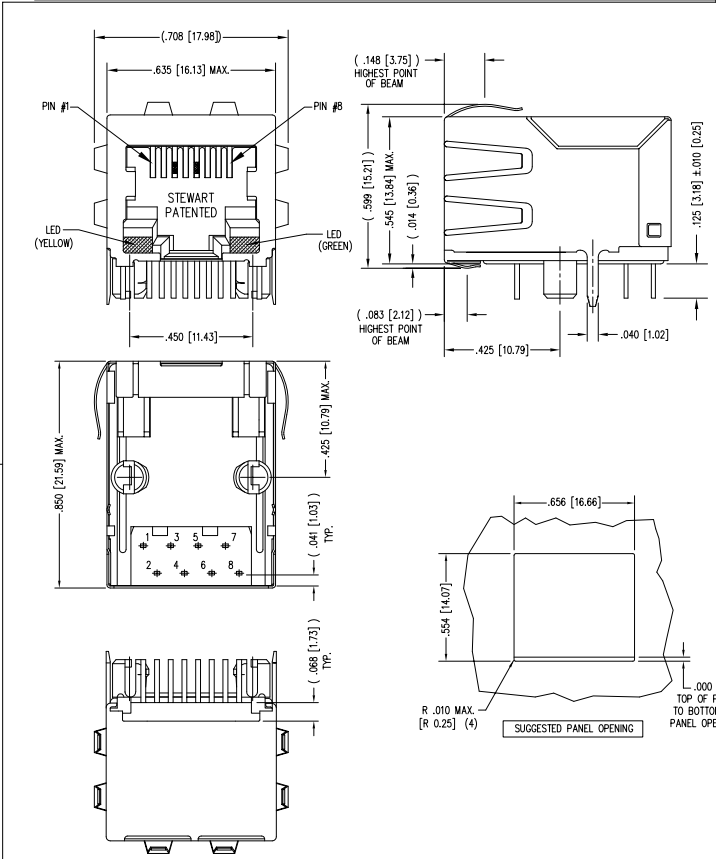
Stocking Distributor

Click to view price, real time Inventory, Delivery & Lifecycle Information:

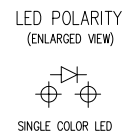
[Bel Fuse Inc.](#)
[SS-7488SC5-YG-PG4-BA](#)

For any questions, you can email us directly:
sales@integrated-circuit.com

REV. 7/23/03



DATE	REV	ECN	APP'D. BY
9-5-13	A3	9845	TRM
10-9-13	A4	9864	TRM
1-19-15	A5	10215	TRM

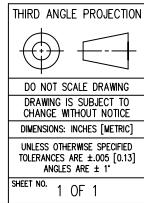


LED SPECIFICATION			
STANDARD LED	WAVELENGTH	Forward V (MAX)	* (TYP)
YELLOW	590 nm	2.5 V	2.1 V
GREEN	565 nm	2.5 V	2.2 V

*WITH A FORWARD CURRENT OF 20 mA

- NOTES:
- CONNECTOR MATERIALS:
HOUSING: TERMOPLASTIC UL94 V-0HI-TEMP, UL94 V-0 CONTACTS/SHIELD: COPPER ALLOY SHIELD PLATING: NICKEL OR "REFLOW" TIN CONTACT PLATING: SELECTIVE GOLD OR EQUIVALENT IN THE CONTACT AREA SEE CHART FOR PART NUMBER
 - FOR PRODUCT SPECIFICATIONS SEE PRO22-01.
 - DIMENSIONS AND TOLERANCES COMPLY WITH TIA-1096 STANDARD.
 - THE SUGGESTED PANEL OPENING IS INTENDED TO GIVE USER THE ABILITY TO HAVE REASONABLE JACK/PANEL CLEARANCES, YET MAINTAIN GROUNDING CAPABILITY: THESE VARIABLES CAN BE ADJUSTED IN EITHER DIRECTION BUT MAY CARRY SOME CONSEQUENCES IN THE FORM OF LOWER MATING FORCES OR TIGHTER ASSEMBLY TOLERANCES.
 - DESIGNED FOR CATEGORY 5/5e APPLICATIONS.

30 MICRO-INCHES [0.76um]	SS-7488SC5-YG-PG4-BA
CONTACT PLATING IN MATING AREA	PART NUMBER



stewart connector
a bel group

1118 Susquehanna Trail South
Gen Rock, PA 17327-9199
(717) 235-7512
<http://www.stewartconnector.com>

TITLE: SINGLE PORT CAT 5 LED JACK
EMI-RFI ONE PIECE SHIELDED, ESD GROUNDED

DO NOT SCALE DRAWING
DRAWING IS SUBJECT TO CHANGE WITHOUT NOTICE

DIMENSIONS: INCHES (METRIC)

UNLESS OTHERWISE SPECIFIED TOLERANCES ARE ±.005 [0.13] ANGLES ARE ± 1°

THIS DRAWING AND THE SUBJECT MATTER SHOWN THEREON ARE CONFIDENTIAL AND THE PROPERTY OF STEWART CONNECTOR AND SHALL NOT BE REPRODUCED, COPIED, OR USED IN ANY MANNER WITHOUT WRITTEN CONSENT OF STEWART CONNECTOR. THIS PRODUCT MAY BE PROTECTED BY ONE OR MORE OF THE FOLLOWING US PATENTS: 579142 621720 636819 641826 6502097 687722 694507 704590 708009 756963 768650 OTHER PATENTS MAY BE PENDING.

DRN BY:	TRM	DATE:	2-7-01
APP'D BY:	DHG	DATE:	2-7-01
DRG NO.:	CT740064	REV.:	A5

