

Excellent Integrated System Limited

Stocking Distributor

Click to view price, real time Inventory, Delivery & Lifecycle Information:

[Bel Fuse Inc.](#)
[0833-2X6R-BU-F](#)

For any questions, you can email us directly:
sales@integrated-circuit.com

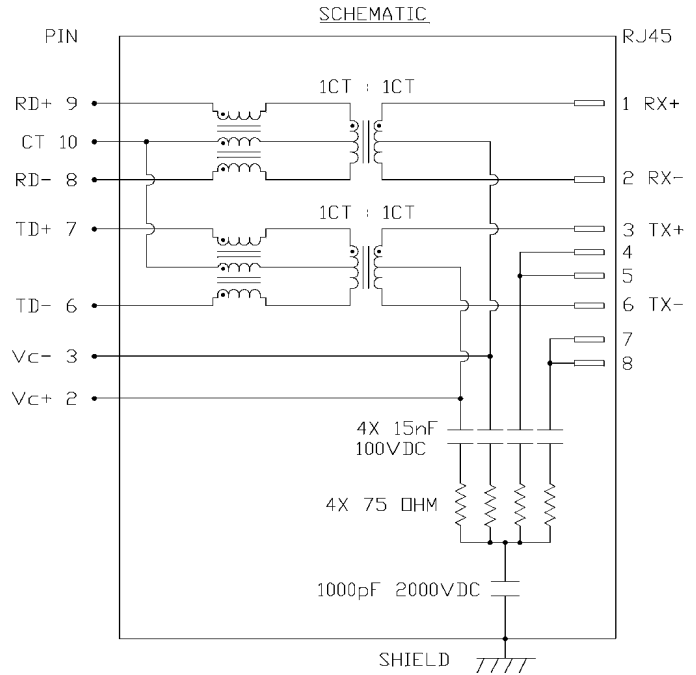
THE INFORMATION CONTAINED HEREIN IS CONSIDERED "PROPRIETARY" TO BEL FUSE INC. AND SHALL NOT BE COPIED, REPRODUCED OR DISCLOSED WITHOUT THE WRITTEN APPROVAL OF BEL FUSE INC.

PRELIMINARY



ELECTRICAL CHARACTERISTICS @ 25°C

| | |
|--|---|
| URNS RATIO | 1CT : 1CT ±2% |
| □CL @ 100mV, 100KHz 8mA DC BIAS | 350μH MIN. |
| INSERTION LOSS 100KHz TO 100MHZ | -1.5 dB MAX. |
| RETURN LOSS (MIN.) 2MHZ-30MHZ 60MHZ-80MHZ | -16 dB MIN. -10 dB MIN. |
| LEAKAGE INDUCTANCE PRIMARY W/ SECONDARY SHORTED | 0.25 μH MAX. @ 1MHZ |
| D.C. RESISTANCE (9-8)=(7-6) (RJ1-RJ2)=(RJ3-RJ6) | 1.4 ΩHM. 1.0 ΩHM. |
| INTERWINDING CAPACITANCE PER CHANNEL (PRI. to SEC.) | 40 pF MAX. |
| XTALK 100KHz TO 100MHz | -30 dB MIN. |
| HIPOT (Isolation Voltage): | 2250 VDC |
| 100% OF PRODUCTION TESTED TO COMPLY WITH IEEE 802.3 ISOLATION REQUIREMENTS. | |
| BALANCED DC LINE CURRENT | 720 mA MAX. @ 57 VDC CONTINUOUS 1.2 A MAX. @ 57 VDC for 200 MILLISECONDS |



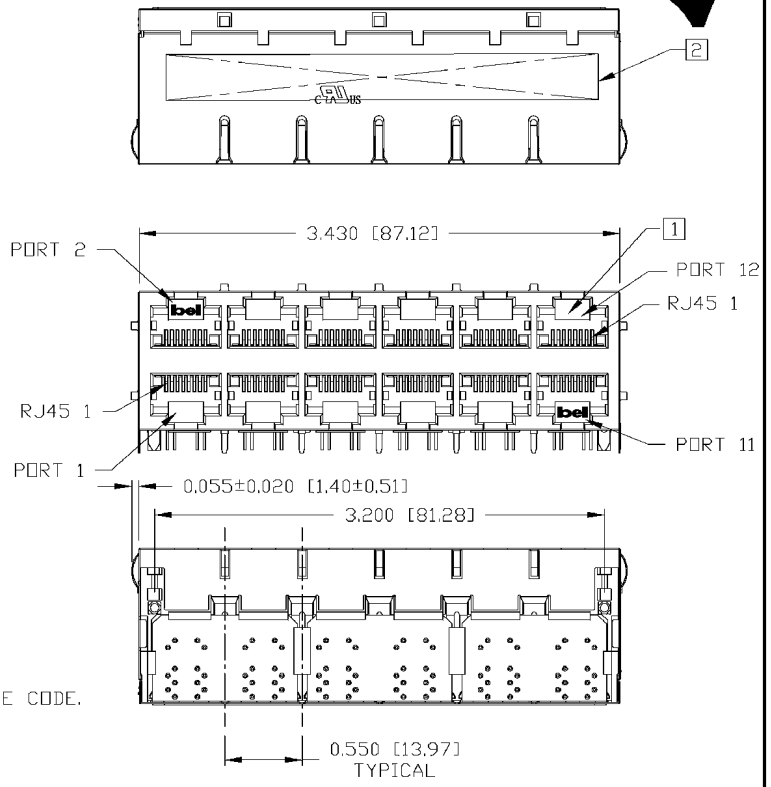
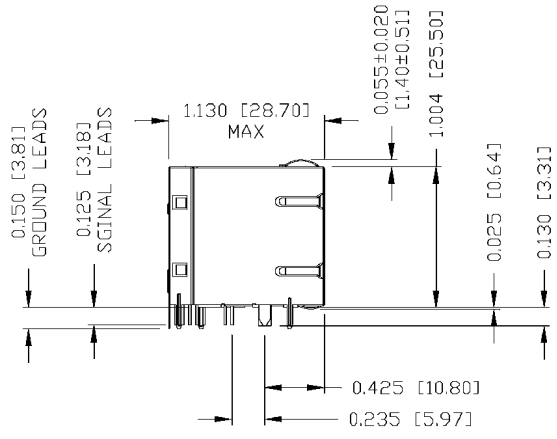
| | | | | | | | |
|---------------------------------|------------------|------------------------------------|--|--|---|------------------------------------|-----------------------------------|
| ORIGINATED BY CHOW WANGCHUNG | DATE 10-27-07 | TITLE 10/100 MagJack® (PoE+) | PART NO. / DRAWING NO. 08332X6RBU-F | STANDARD DIM. TOL. IN INCH .X .XX .XXX | [] METRIC DIM. AS REFERENCE UNIT : INCH [mm] SCALE : N/A PAGE : 2 | REV. : PA SIZE : A4 PAGE : 2 | COMPONENTS FOR A CONNECTED PLANET |
| DRAWN BY DENGPING | DATE 10-27-07 | TITLE 0833-2X6R-BU-F | FILE NAME 08332X6RBU-F_PA.DWG | | | | |

DC002(2)032305

This document is electronically generated. This is a controlled copy if used internally

THE INFORMATION CONTAINED HEREIN IS CONSIDERED "PROPRIETARY" TO BEL FUSE INC. AND SHALL NOT BE COPIED, REPRODUCED OR DISCLOSED WITHOUT THE WRITTEN APPROVAL OF BEL FUSE INC.

PRELIMINARY



- NOTES:
- PLASTIC HOUSING: THERMOPLASTIC PBT
 - CONTACT PLATING: FLAMMABILITY RATING UL 94V-0
 - OUTPUT PINS: 50 MICRO-INCH HARD GOLD PLATING
 - METAL SHIELD: TIN-COATED COPPER WIRE, DIA 0.018 INCH.
 - METAL SHIELD: NICKEL PLATED ON COPPER ALLOY. (ALL GROUND LEADS ARE SOLDER DIPPED)
1. JACK CAVITY CONFORMS TO FCC RULES AND REGULATIONS, PART 68 SUBPART F.
 2. MARK PART WITH MFG LOGO, MFG NAME, PART NUMBER, AND DATE CODE.
- UL RECOGNIZED - FILE #E196366 AND E169987.
 RoHS COMPLIANCE, PER EU DIRECTIVE 2002/95/EC.

| | | | | | |
|----------------------------|------------------|------------------------------------|--|-------------------------------|--|
| ORIGINATED BY CHEN BILL | DATE 10-27-07 | TITLE 10/100 MagJack® (PoEp) | PART NO. / DRAWING NO. 08332X6RBU-F | STANDARD DIM. TOL. IN INCH | [] METRIC DIM. AS REFERENCE |
| DRAWN BY LIU QIN | DATE 10-27-07 | 0833-2X6R-BU-F | FILE NAME 08332X6RBU-F_PA.DWG | .X .XX .XXX ±0.010 | UNIT : INCH [mm] SCALE : N/A SIZE : A4 PAGE : 3 |

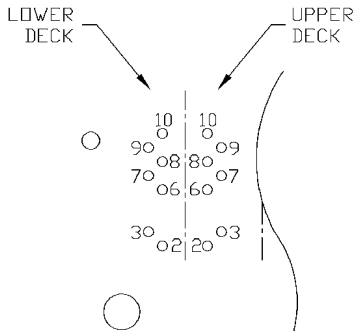


DC002(2)032305

This document is electronically generated. This is a controlled copy if used internally

THE INFORMATION CONTAINED HEREIN IS CONSIDERED "PROPRIETARY" TO BEL FUSE INC. AND SHALL NOT BE COPIED, REPRODUCED OR DISCLOSED WITHOUT THE WRITTEN APPROVAL OF BEL FUSE INC.

PRELIMINARY

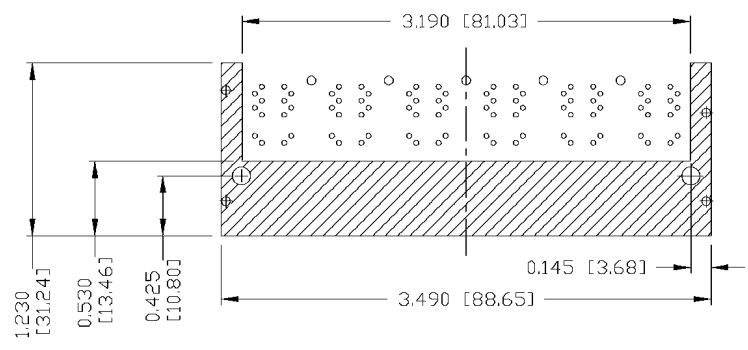
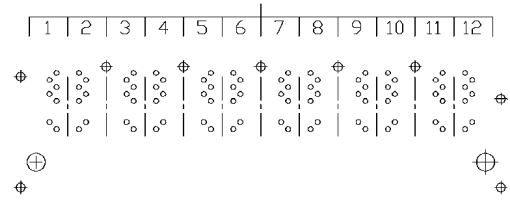


PIN-OUT INFORMATION
(COMPONENT SIDE VIEW)

| | |
|----|-----------|
| 10 | COMMON CT |
| 9 | RD+ |
| 8 | RD- |
| 7 | TD+ |
| 6 | TD- |
| 5 | NO PIN |
| 4 | NO PIN |
| 3 | Vc- |
| 2 | Vc+ |
| 1 | NO PIN |

UNUSED PIN LOCATIONS MUST BE REMOVED TO ENSURE 2KV ISOLATION.

PORT ASSIGNMENT
(COMPONENT SIDE VIEW)



THE SHADED AREA ON THE CUSTOMER BOARD ARE RECOMMENDED TO BE CLEAR OFF ANY VIA HOLE OR COMPONENT PAD.

| | | | | | |
|----------------------------|------------------|------------------------------------|--|-------------------------------|---|
| ORIGINATED BY CHEN BILL | DATE 10-27-07 | TITLE 10/100 MagJack® (PoEp) | PART NO. / DRAWING NO. 08332X6RBU-F | STANDARD DIM. TOL. IN INCH | [] METRIC DIM. AS REFERENCE |
| DRAWN BY LIU QIN | DATE 10-27-07 | 0833-2X6R-BU-F | FILE NAME 08332X6RBU-F_PA.DWG | .X .XX .XXX ±0.004 | UNIT : INCH [mm] SCALE : N/A REV. : PA SIZE : A4 PAGE : 4 |

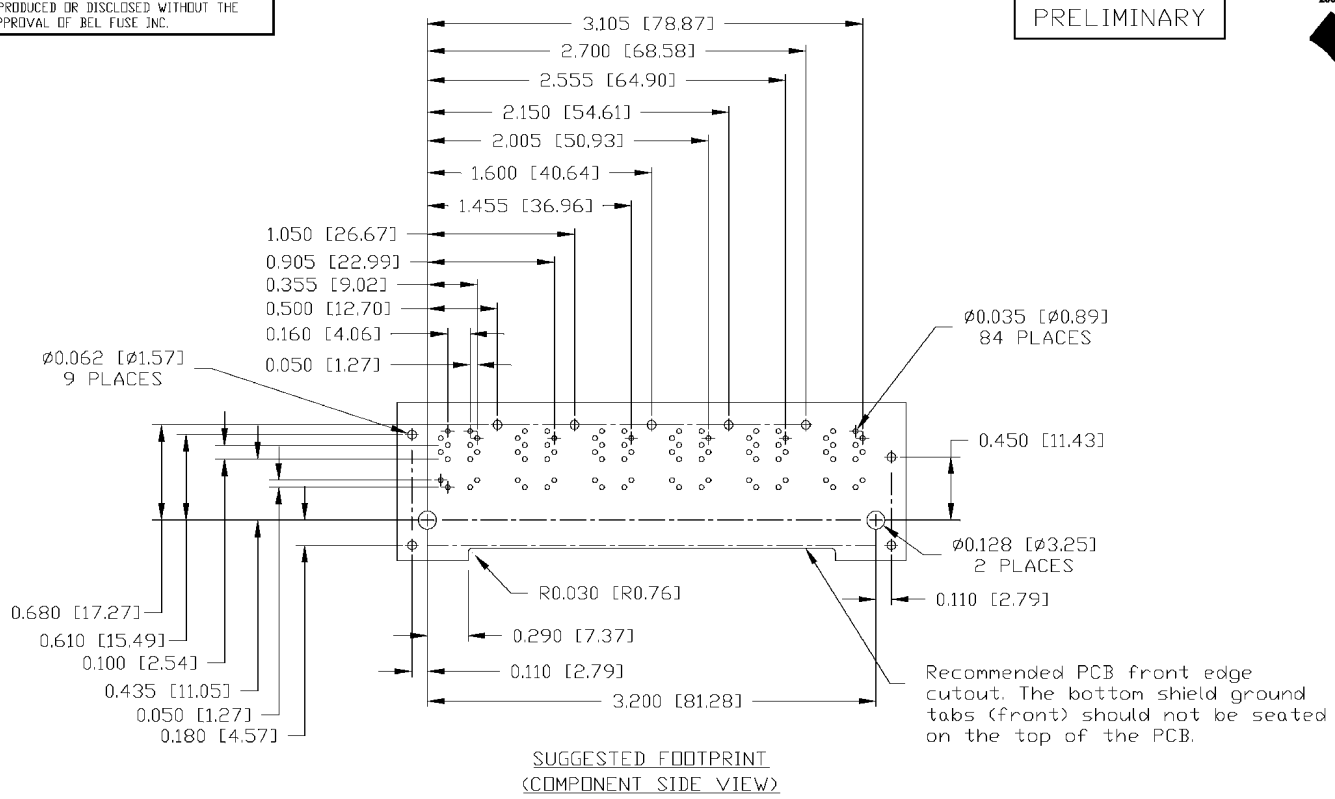


bc002(2)032305

This document is electronically generated. This is a controlled copy if used internally

THE INFORMATION CONTAINED HEREIN IS CONSIDERED 'PROPRIETARY' TO BEL FUSE INC. AND SHALL NOT BE COPIED, REPRODUCED OR DISCLOSED WITHOUT THE WRITTEN APPROVAL OF BEL FUSE INC.

PRELIMINARY



| | | | | | |
|---------------|----------|---------------------------|------------------------|----------------------------|------------------------------|
| ORIGINATED BY | DATE | TITLE | PART NO. / DRAWING NO. | STANDARD DIM. TOL. IN INCH | [] METRIC DIM. AS REFERENCE |
| CHEN BILL | 10-27-07 | 10/100 MagJack® (PoEp) | 08332X6RBU-F | .X .XX .XXX ±0.004 | UNIT : INCH [mm] REV. : PA |
| DRAWN BY | DATE | | FILE NAME | | SCALE : N/A SIZE : A4 |
| LIU QIN | 10-27-07 | 0833-2X6R-BU-F | 08332X6RBU-F_PA.DWG | | PAGE : 5 |

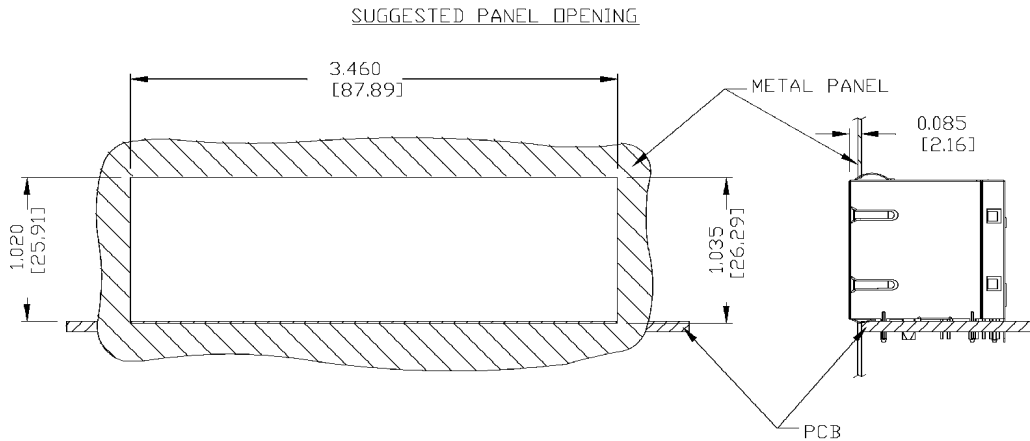


DC002(2)032305

This document is electronically generated. This is a controlled copy if used internally

THE INFORMATION CONTAINED HEREIN IS CONSIDERED "PROPRIETARY" TO BEL FUSE INC. AND SHALL NOT BE COPIED, REPRODUCED OR DISCLOSED WITHOUT THE WRITTEN APPROVAL OF BEL FUSE INC.

PRELIMINARY



NOTE:

THE DISTANCE OF PANEL INSIDE SURFACE RELATIVE TO FRONT SURFACE OF PART IS ONLY A SUGGESTION. IN CASE THIS DISTANCE IS DIFFERENT, THE REQUIRED PANEL OPENING DIMENSIONS CHANGE ACCORDINGLY.

PACKING INFORMATION

PACKING TRAY : 0200-9999-A9 (TOP)
 0200-9999-A8 (BOTTOM)

PACKING QUANTITY : 15 PCS FINISHED GOODS PER TRAY
 7 TRAY (105 PCS FINISHED GOODS) PER CARTON BOX

NOTE : CARDBOARDS ARE PLACED BETWEEN LAYERS OF PACKING TRAY INSIDE CARTON BOX
 (INCLUDE THE UPPERMOST AND LOWERMOST TRAY)

| | | | | | |
|---------------|----------|---------------------------|------------------------|----------------------------|------------------------------|
| ORIGINATED BY | DATE | TITLE | PART NO. / DRAWING NO. | STANDARD DIM. TOL. IN INCH | [] METRIC DIM. AS REFERENCE |
| CHEN BILL | 10-27-07 | 10/100 MagJack® (PoEp) | 08332X6RBU-F | .X .XX .XXX ±0.004 | UNIT : INCH [mm] REV. : PA |
| DRAWN BY | DATE | | FILE NAME | | SCALE : N/A SIZE : A4 |
| LIU QIN | 10-27-07 | 0833-2X6R-BU-F | 08332X6RBU-F_PA.DWG | | PAGE : 6 |

