

Excellent Integrated System Limited

Stocking Distributor

Click to view price, real time Inventory, Delivery & Lifecycle Information:

[Bel Fuse Inc.](#)
[0833-2X8R-BU-F](#)

For any questions, you can email us directly:
sales@integrated-circuit.com

THE INFORMATION CONTAINED HEREIN IS CONSIDERED "PROPRIETARY" TO BEL FUSE INC. AND SHALL NOT BE COPIED, REPRODUCED OR DISCLOSED WITHOUT THE WRITTEN APPROVAL OF BEL FUSE INC.

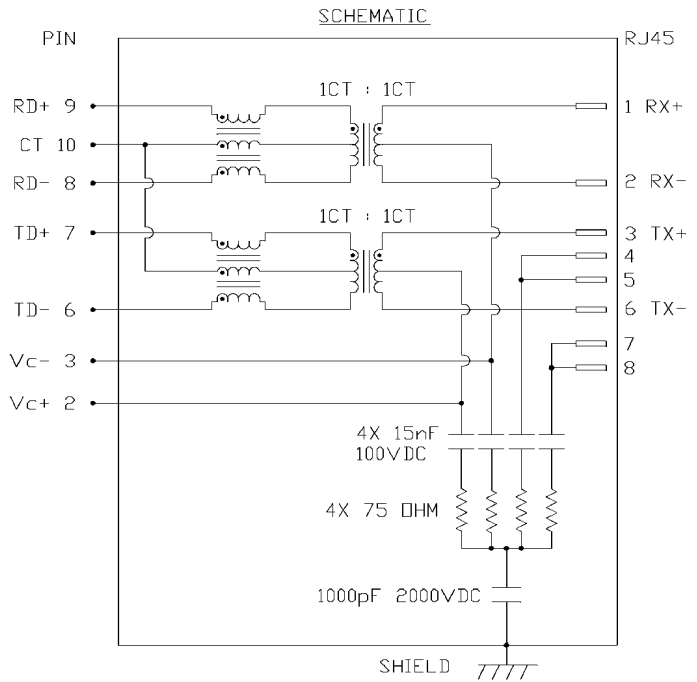
PRELIMINARY

RoHS
2002/95/EC



ELECTRICAL CHARACTERISTICS @ 25°C

URNS RATIO	1CT : 1CT ±2%
QCL @ 100mV, 100KHz 8mA DC BIAS	350µH MIN.
INSERTION LOSS 100KHz TO 100MHZ	-1.5 dB MAX.
RETURN LOSS (MIN.) 2MHZ-30MHZ 60MHZ-80MHZ	-16 dB MIN. -10 dB MIN.
LEAKAGE INDUCTANCE PRIMARY W/ SECONDARY SHORTED	0.25 µH MAX. @ 1MHZ
D.C. RESISTANCE (9-8)=(7-6) (RJ1-RJ2)=(RJ3-RJ6)	1.4 OHM. 1.0 OHM.
INTERWINDING CAPACITANCE PER CHANNEL (PRI. to SEC.)	40 pF MAX.
XTALK 100KHz TO 100MHZ	-30 dB MIN.
HIPOT (Isolation Voltage):	2250 VDC
100% OF PRODUCTION TESTED TO COMPLY WITH IEEE 802.3 ISOLATION REQUIREMENTS.	
BALANCED DC LINE CURRENT	720 mA MAX. @ 57 VDC CONTINUOUS 1.2 A MAX. @ 57 VDC for 200 MILLISECONDS



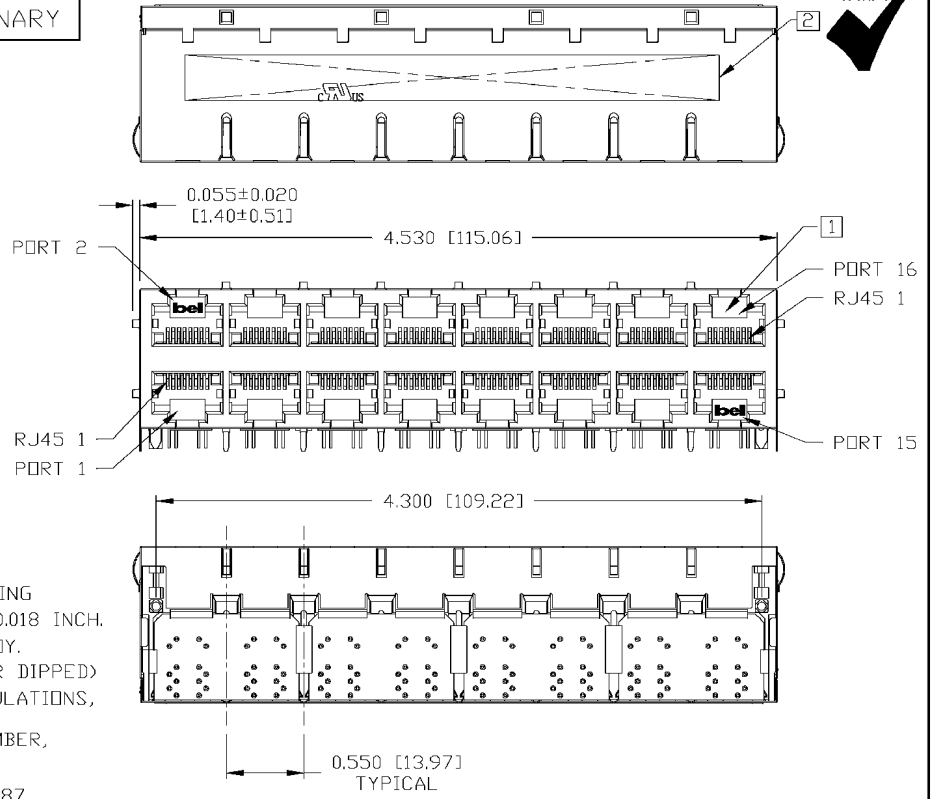
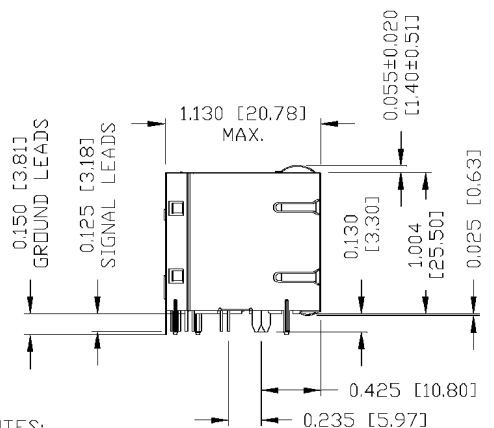
ORIGINATED BY CHOW WANGCHUNG	DATE 10-27-07	TITLE 10/100 MagJack® (PoE) 0833-2X8R-BU-F	PART NO. / DRAWING NO. 08332X8RBU-F	STANDARD DIM. TOL. IN INCH .X .XX .XXX	[] METRIC DIM. AS REFERENCE UNIT : INCH [mm] SCALE : N/A	REV. : PA SIZE : A4 PAGE : 2	COMPONENTS FOR A CONNECTED PLANET
DRAWN BY DENGPIG	DATE 10-27-07	FILE NAME 08332X8RBU-F_PA.DWG					

DC002(2)032305

This document is electronically generated. This is a controlled copy if used internally

THE INFORMATION CONTAINED HEREIN IS CONSIDERED "PROPRIETARY" TO BEL FUSE INC. AND SHALL NOT BE COPIED, REPRODUCED OR DISCLOSED WITHOUT THE WRITTEN APPROVAL OF BEL FUSE INC.

PRELIMINARY



- NOTES:
- 1. JACK CAVITY CONFORMS TO FCC RULES AND REGULATIONS, PART 68 SUBPART F.
 - 2. MARK PART WITH MFG LOGO, MFG NAME, PART NUMBER, AND DATE CODE.
 - 3. RoHS COMPLIANCE, PER EU DIRECTIVE 2002/95/EC.
- UL RECOGNIZED - FILE #E196366 AND E169987.

ORIGINATED BY CHEN BILL	DATE 10-27-07	TITLE 10/100 MagJack® (PoEp)	PART NO. / DRAWING NO. 08332X8RBU-F	STANDARD DIM. TOL. IN INCH	[] METRIC DIM. AS REFERENCE
DRAWN BY LIU QIN	DATE 10-27-07	0833-2X8R-BU-F	FILE NAME 08332X8RBU-F_PA.DWG	.X .XX .XXX ±0.010	UNIT : INCH [mm] SCALE : N/A REV. : PA SIZE : A4 PAGE : 3

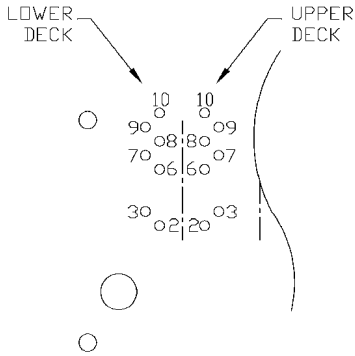
DC002(2)032305

This document is electronically generated. This is a controlled copy if used internally

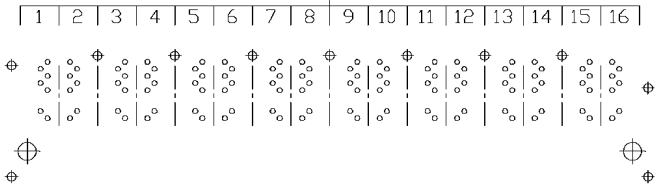


THE INFORMATION CONTAINED HEREIN IS CONSIDERED "PROPRIETARY" TO BEL FUSE INC. AND SHALL NOT BE COPIED, REPRODUCED OR DISCLOSED WITHOUT THE WRITTEN APPROVAL OF BEL FUSE INC.

PRELIMINARY



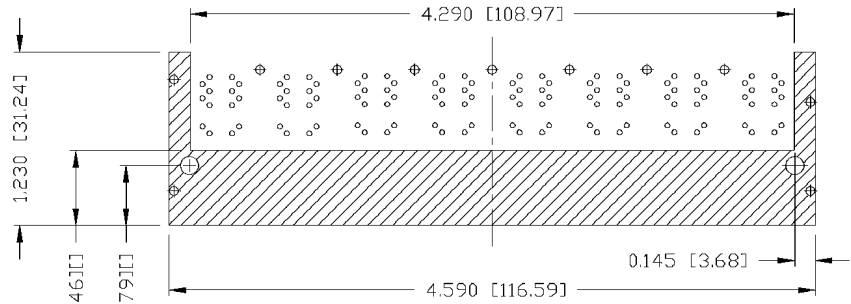
PORT ASSIGNMENT
 (COMPONENT SIDE VIEW)



PIN-OUT INFORMATION
 (COMPONENT SIDE VIEW)

10	COMMON CT
9	RD+
8	RD-
7	TD+
6	TD-
5	NO PIN
4	NO PIN
3	Vc-
2	Vc+
1	NO PIN

UNUSED PIN LOCATIONS MUST BE REMOVED TO ENSURE 2KV ISOLATION.



NOTES:

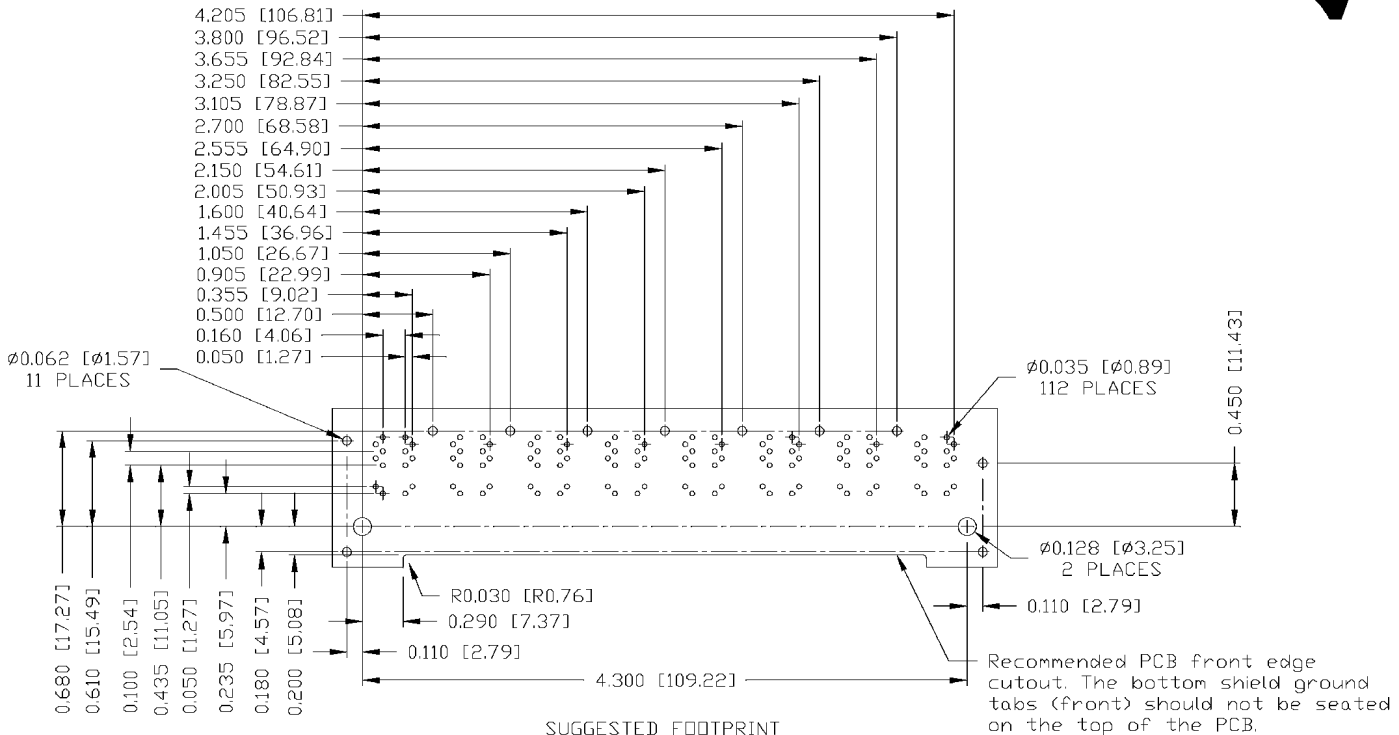
THE SHADED AREA ON THE CUSTOMER BOARD ARE RECOMMENDED TO BE CLEAR OFF ANY VIA HOLE OR COMPONENT PAD.

ORIGINATED BY CHEN BILL	DATE 10-27-07	TITLE 10/100 MagJack® (PoEp)	PART NO. / DRAWING NO. 08332X8RBU-F	STANDARD DIM. TOL. IN INCH	[] METRIC DIM. AS REFERENCE
DRAWN BY LIU QIN	DATE 10-27-07	0833-2X8R-BU-F	FILE NAME 08332X8RBU-F_PA.DWG	.X .XX .XXX ±0.004	UNIT : INCH [mm] SCALE : N/A REV. : PA SIZE : A4 PAGE : 4



THE INFORMATION CONTAINED HEREIN IS CONSIDERED "PROPRIETARY" TO BEL FUSE INC. AND SHALL NOT BE COPIED, REPRODUCED OR DISCLOSED WITHOUT THE WRITTEN APPROVAL OF BEL FUSE INC.

PRELIMINARY



SUGGESTED FOOTPRINT
(COMPONENT SIDE VIEW)

Recommended PCB front edge cutout. The bottom shield ground tabs (front) should not be seated on the top of the PCB.

ORIGINATED BY CHEN BILL	DATE 10-27-07	TITLE 10/100 MagJack® (PoEp) 0833-2X8R-BU-F	PART NO. / DRAWING NO. 08332X8RBU-F	STANDARD DIM. TOL. IN INCH	[] METRIC DIM. AS REFERENCE	REV. : PA	PAGE : 5	 COMPONENTS ON A CONNECTED PLANET
DRAWN BY LIU QIN	DATE 10-27-07		FILE NAME 08332X8RBU-F_PA.DWG	.X .XX .XXX ±0.004	UNIT : INCH [mm] SCALE : N/A			

DC002(2)032305

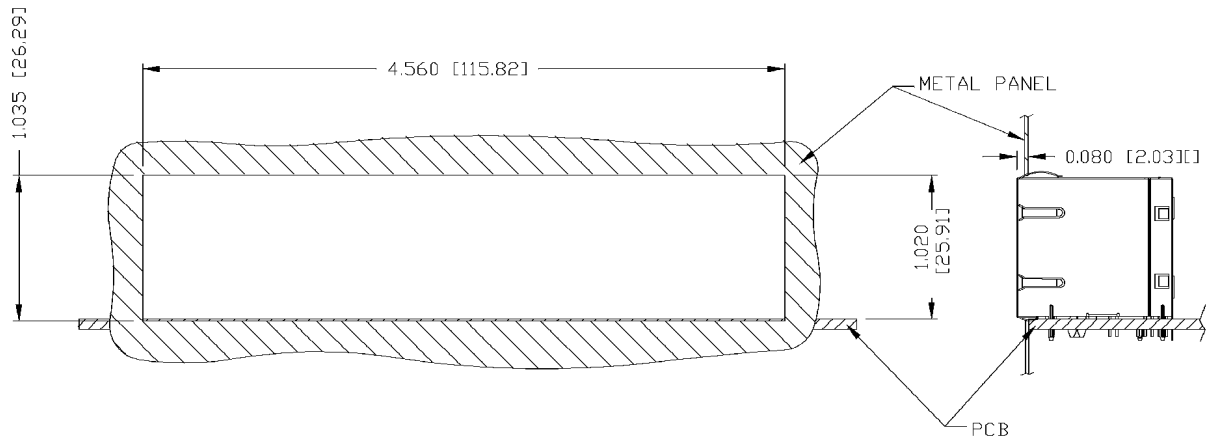
This document is electronically generated. This is a controlled copy if used internally

THE INFORMATION CONTAINED HEREIN IS CONSIDERED "PROPRIETARY" TO BEL FUSE INC. AND SHALL NOT BE COPIED, REPRODUCED OR DISCLOSED WITHOUT THE WRITTEN APPROVAL OF BEL FUSE INC.

PRELIMINARY



SUGGESTED PANEL OPENING



NOTE:

THE DISTANCE OF PANEL INSIDE SURFACE RELATIVE TO FRONT SURFACE OF PART IS ONLY A SUGGESTION. IN CASE THIS DISTANCE IS DIFFERENT, THE REQUIRED PANEL OPENING DIMENSIONS CHANGE ACCORDINGLY.

PACKING INFORMATION

PACKING TRAY : 0200-9999-B2 (TOP)
 0200-9999-B1 (BOTTOM)

PACKING QUANTITY : 10 PCS FINISHED GOODS PER TRAY
 7 TRAYS (70 PCS FINISHED GOODS) PER CARTON BOX

NOTE : CARDBOARDS ARE PLACED BETWEEN LAYERS OF PACKING TRAY INSIDE CARTON BOX
 (INCLUDE THE UPPERMOST AND LOWERMOST TRAY)

ORIGINATED BY CHEN BILL	DATE 10-27-07	TITLE 10/100 MagJack® (PoEp)	PART NO. / DRAWING NO. 08332X8RBU-F	STANDARD DIM. TOL. IN INCH	[] METRIC DIM. AS REFERENCE
DRAWN BY LIU QIN	DATE 10-27-07	0833-2X8R-BU-F	FILE NAME 08332X8RBU-F_PA.DWG	.X .XX XXX ±0.004	UNIT : INCH [mm] SCALE : N/A REV. : PA SIZE : A4 PAGE : 6

